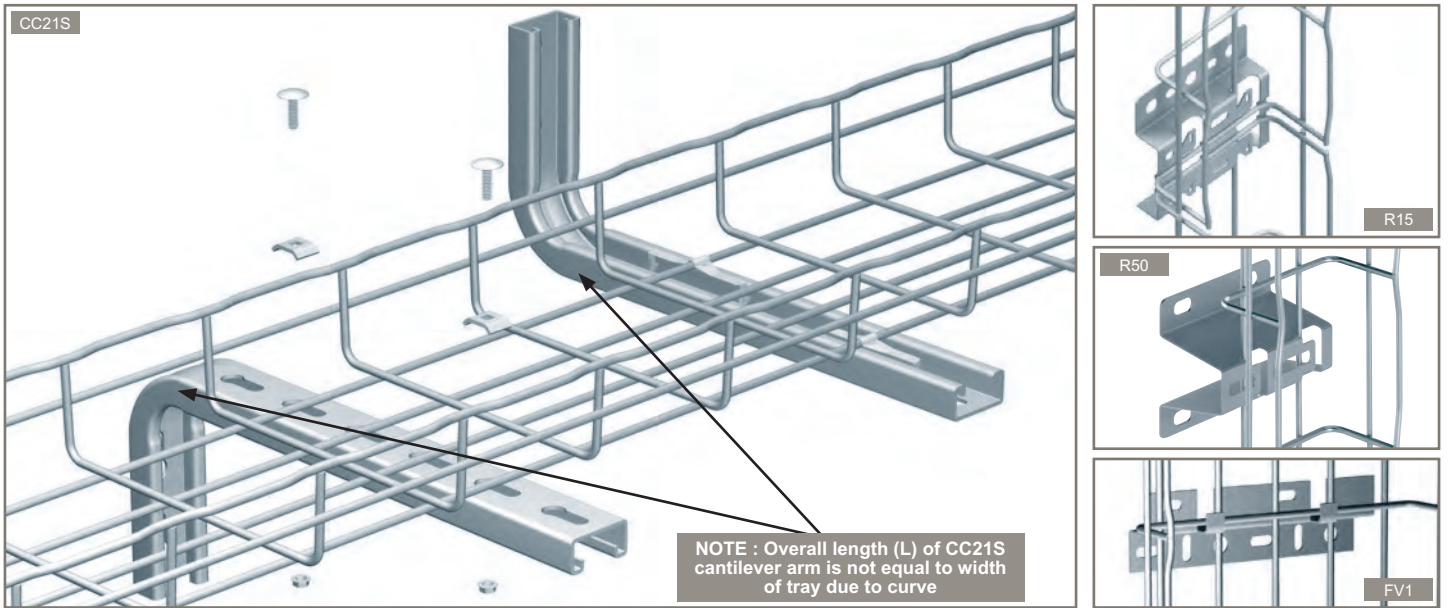


wall mounting - CC21S - FV1 - R50 - R15/R25/R35



Dimensions and technical information p. 100-102

NOTE : please use Cat. No. when placing your order

Pack	Cat. Nos.		CC21S – cantilever arms	
			\updownarrow 30 → 105 mm \curvearrowright 150 → 400 mm NOTE : Overall length (L) of CC21S cantilever arm is not equal to width of tray due to curve, see above and illustration below For technical information, see p. 100	
	GS	316L	L mm	\downarrow daN
1	CM557860	CM557864	150	135
1	CM557870	CM557874	200	108
1	CM557880	CM557884	300	80
1	CM557890	CM557894	400	92

Pack	Cat. Nos.		FV1 – mounting brackets	
			\updownarrow 30 → 105 mm \curvearrowright 100 → 600 mm For technical information, see p. 102	
	GS	GC	\downarrow daN	
1	CM586070	CM586073	100	
	316L			
1	CM586074		100	

Pack	Cat. Nos.		R50 – stand-off brackets	
			\updownarrow 30 → 105 mm \curvearrowright 100 → 600 mm For technical information, see p. 101	
	GS	HR	H mm	L mm
1	CM348530	CM348536	52	100
	GC	316L	\downarrow daN	
1	CM348532	CM348531	52	100

Pack	Cat. Nos.		R15/R25/R35 – stand-off brackets / couplers	
			\updownarrow 30 → 150 mm \curvearrowright 100 → 600 mm For technical information, see p. 101	
	GS	HR	H mm	L mm
1	CM586170	CM586173	15	98
	316L		\downarrow daN	
1	CM586174		15	98

Pack	Cat. Nos.		R15/300	
	GS	HR	H mm	L mm
1	CM586610	CM586617	15	300
	316L		\downarrow daN	
1	CM586614		15	300

Pack	Cat. Nos.		R25	
	GS	HR	H mm	L mm
1	CM586640	CM586647	25	98
	316L		\downarrow daN	
1	CM586650	CM586657	35	98

Key: **GS** Pre-galvanised **HR** High Resistance*
GC Hot dip galvanised after manufacture **316L** Stainless steel 316 L
 * For more information on High Resistance finish p. 12-13, 150 For detailed information related to finishes, refer to p. 150-151

All dimensions (mm) are nominal