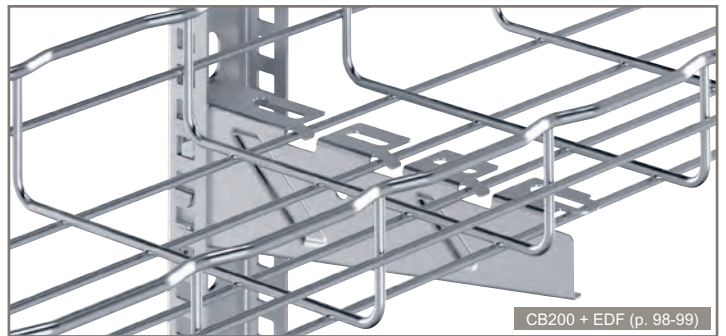
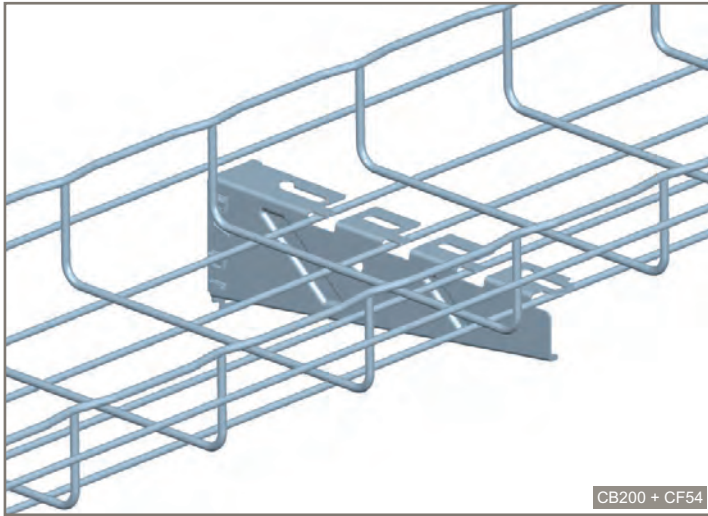


wall mounting - CB



Dimensions and technical information p. 98-99

NOTE : please use Cat. No. when placing your order

Pack	Cat. Nos.	CB – compact cantilever arms for universal mounting 50 - 400					
		$\downarrow \uparrow$ 30 → 150 mm \curvearrowright 50 → 400 mm For technical information, including safe working load, see p. 98-99					
			CB50-400				
			L mm	H mm	\downarrow F daN	For tray widths mm	
1	GS CM350800	HR –	81	71	80	100	
1	CM350810	CM350816	131	71	110	100	
1	CM350820	CM350826	181	75	100	150	
1	CM350830	CM350846	231	75	110	200	
1	CM350840	CM350856	335	88	150	300	
1	CM350850	CM350866	435	102	150	400	
			L mm	H mm	\downarrow F daN	For tray widths mm	
1	316L CM350804	EZ+ –	81	71	80	100	
1	CM350814	CM350812	131	71	110	100	
1	CM350824	CM350822	181	75	100	150	
1	CM350834	CM350832	231	75	110	200	
1	CM350844	CM350842	335	88	150	300	
1	CM350854	CM350852	435	102	150	400	

Pack	Cat. Nos.	CB – compact cantilever arms for universal mounting 450 - 600					
		$\downarrow \uparrow$ 30 → 150 mm \curvearrowright 450 → 600 mm For technical information, including safe working load, see p. 98-99					
			CB450-600				
			L mm	H mm	\downarrow F daN	For tray widths mm	
1	GS CM350895	HR CM350896	485	137	200	450	
1	CM350860	CM350876	535	137	200	500	
1	CM350870	CM350806	638	137	160	600	
			L mm	H mm	\downarrow F daN	For tray widths mm	
1	316L CM350894	EZ+ –	485	137	200	450	
1	CM350864	CM350862	535	137	200	500	
1	CM350874	CM350872	638	137	160	600	

Key: **GS** Pre-galvanised **316L** Stainless steel 316 L

EZ+ Additional coating after electrogalvanisation (black)

HR High Resistance*

* For more information on High Resistance finish p. 12-13, 150 For detailed information related to finishes, refer to p. 150-151

All dimensions (mm) are nominal