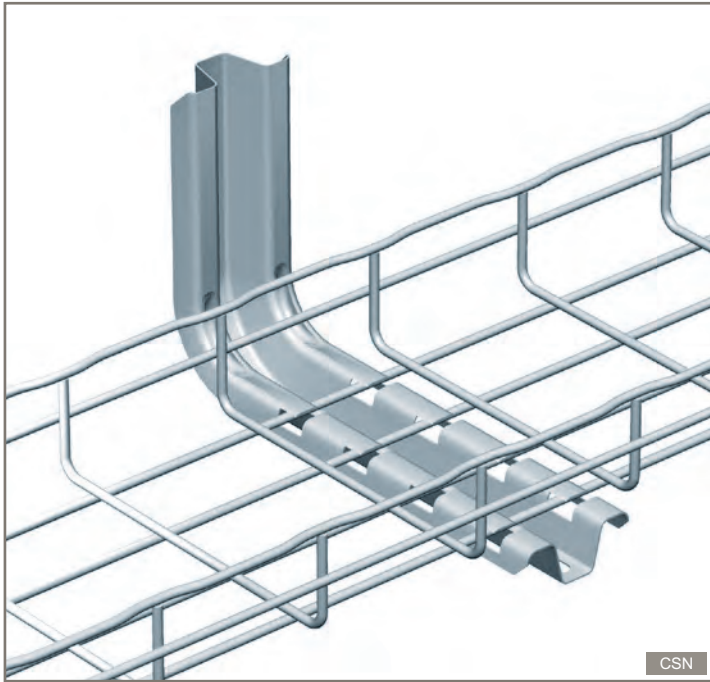
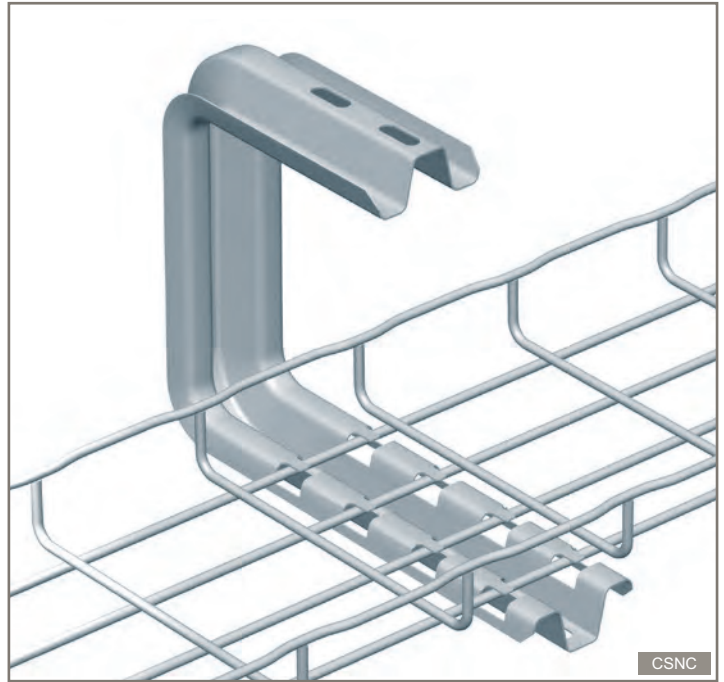


wall mounting - CSN - CSNC



CSN



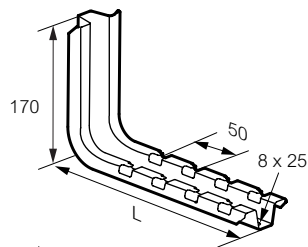
CSNC

Dimensions and technical information p. 96-97

NOTE : please use Cat. No. when placing your order

CSN – profile cantilever arms

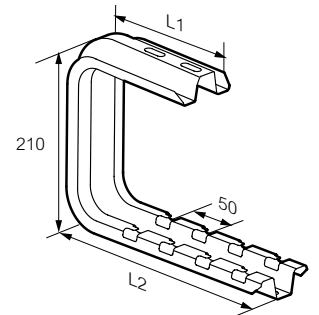
↓↑ 30 → 54 mm ↖↗ 100 → 450 mm
For technical information, see p. 96



Pack	Cat. Nos.			L	↓F
				mm	daN
1	GS	GC			
1	CM556100	CM556103	CSN100	178	130
1	CM556110	CM556113	CSN150	228	110
1	CM556120	CM556123	CSN200	278	85
1	CM556130	CM556133	CSN300	378	73
1	CM556140	CM556143	CSN400	478	56
1	CM556150	CM556153	CSN450	528	50
	304L	316L			
1	CM556108	CM556104	CSN100	178	130
1	CM556118	CM556114	CSN150	228	110
1	CM556128	CM556124	CSN200	278	85
1	CM556138	CM556134	CSN300	378	73

CSNC – profile roof cantilever arms

↓↑ 30 → 54 mm ↖↗ 100 → 450 mm
For technical information, see p. 97



Pack	Cat. Nos.			L1	L2	↓F
				mm	mm	daN
	GS	GC				
1	CM556300	CM556303	CSNC100	170	178	120
1	CM556310	CM556313	CSNC150	170	228	100
1	CM556320	CM556323	CSNC200	170	278	80
1	CM556330	CM556333	CSNC300	288	378	70
1	CM556340	CM556343	CSNC400	288	478	48
1	CM556350	CM556353	CSNC450	288	528	44
	304L	316L				
1	-	CM556304	CSNC100	170	178	120
1	-	CM556314	CSNC150	170	228	100
1	-	CM556324	CSNC200	170	278	80
1	-	CM556334	CSNC300	170	378	70

Key: GS Pre-galvanised	304L Stainless steel 304 L
GC Hot dip galvanised after manufacture	316L Stainless steel 316 L
PVC PVC	

For detailed information related to finishes, refer to p. 150-151

All dimensions (mm) are nominal

EPVCSN – end caps

Pack	Cat. Nos.	
1	PVC CM559605	For use with CSN and CSNC cantilever arms

