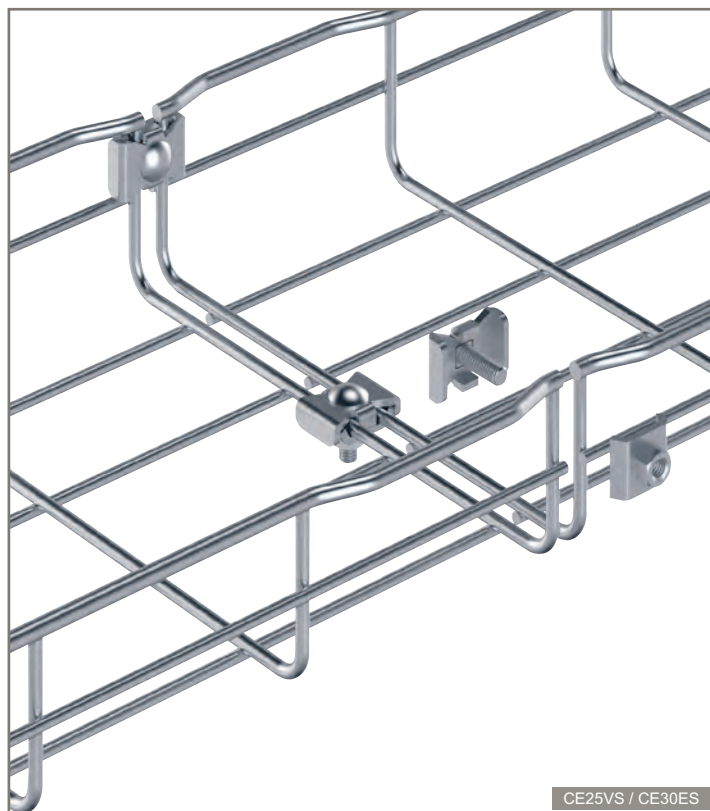
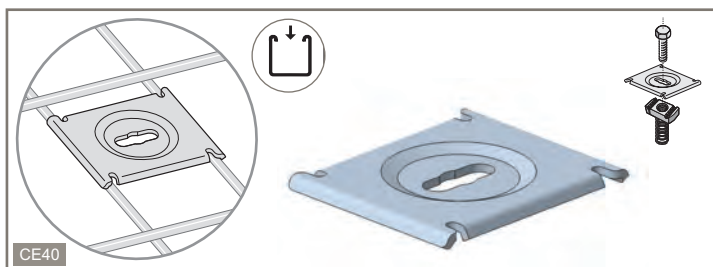
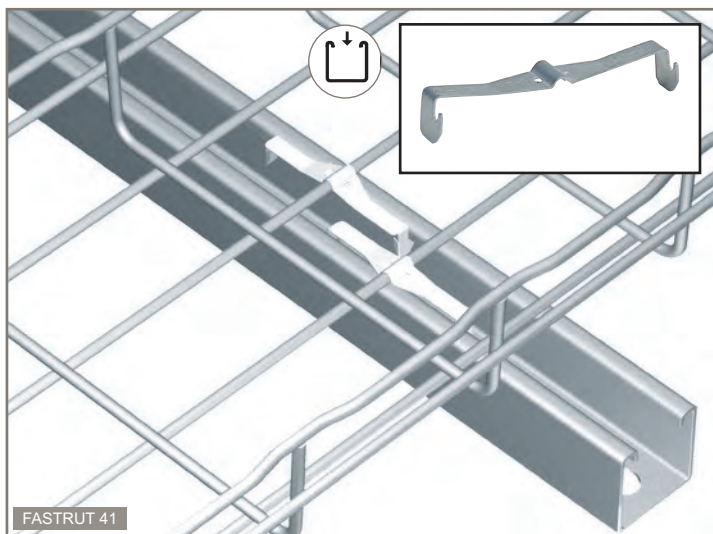


channel fixings - FASTRUT 41 / CE40
fixing components - CE25/CE30 - CE25VS/CE30ES



Dimensions and technical information p. 90-91, 113

NOTE : please use Cat. No. when placing your order

Pack	Cat. Nos.	FASTRUT 41 – channel fixing clip				
50	<table border="1"> <tr> <td>HR</td> <td>INOX</td> </tr> <tr> <td>CM599007</td> <td>CM599004</td> </tr> </table>	HR	INOX	CM599007	CM599004	<p>↕ 30 → 150 mm ↔ 100 → 600 mm</p> <p>Use to secure steel wire cable tray to channel section or channel type cantilever arms For technical information, see p. 90</p>
HR	INOX					
CM599007	CM599004					
<p>CE40 – hold down clamps</p> <p>↕ 30 → 150 mm ↔ 100 → 600 mm</p> <p>For technical information, see p. 113</p>						
25	<table border="1"> <tr> <td>GS</td> <td>HR</td> </tr> <tr> <td>CM558051</td> <td>CM558056</td> </tr> </table>	GS	HR	CM558051	CM558056	<p>↕ 30 → 150 mm ↔ 100 → 600 mm</p> <p>For technical information, see p. 113</p>
GS	HR					
CM558051	CM558056					
25	<table border="1"> <tr> <td>304L</td> <td>316L</td> </tr> <tr> <td>CM558058</td> <td>CM558054</td> </tr> </table>	304L	316L	CM558058	CM558054	
304L	316L					
CM558058	CM558054					
25	ZnL CM558053	100				
25	ZN+ CM350839	100				

Key:	GS	Pre-galvanised	ZN+	Zinc nickel plus additional coating (black)
	EZ	Electrogalvanised after manufacture	304L	Stainless steel 304 L
	HR	High Resistance*	316L	Stainless steel 316 L
	ZnL	Zinc rich coating	INOX	Stainless steel 301 L

* For more information on High Resistance finish p. 12-13, 150

For detailed information related to finishes, refer to p. 150-151

All dimensions (mm) are nominal

Pack	Cat. Nos.	CE25 / CE30 – fixing components				
100	<table border="1"> <tr> <td>EZ</td> <td>HR</td> </tr> <tr> <td>CM801011</td> <td>CM350402</td> </tr> </table>	EZ	HR	CM801011	CM350402	<p>↕ 30 → 150 mm ↔ 50 → 600 mm</p> <p>BTRCC 6 x 20 BTRCC 6 X 20 </p>
EZ	HR					
CM801011	CM350402					
50	GS CM558011	CE25				
50	CM558041	CE30				
<p>CE25 / CE30 stainless steel – fixing components</p> <p>↕ 30 → 150 mm ↔ 50 → 600 mm</p>						
100	<table border="1"> <tr> <td>304L</td> <td>316L</td> </tr> <tr> <td>CM801018</td> <td>CM801014</td> </tr> </table>	304L	316L	CM801018	CM801014	<p>BTRCC 6 x 20 BTRCC 6 X 20 </p>
304L	316L					
CM801018	CM801014					
50	CM558018	CE25				
50	CM558048	CE30				
<p>CE25VS / CE30ES – fixing components</p> <p>↕ 30 → 150 mm ↔ 50 → 600 mm</p>						
50	<table border="1"> <tr> <td>GS</td> <td>HR</td> </tr> <tr> <td>CM558021</td> <td>CM350571</td> </tr> </table>	GS	HR	CM558021	CM350571	CE25VS
GS	HR					
CM558021	CM350571					
50	CM558031	CE30ES				