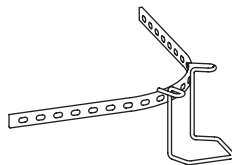


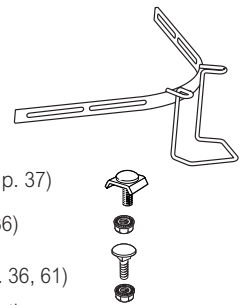
Dimensions and technical information p. 87-88

NOTE : please use Cat. No. when placing your order

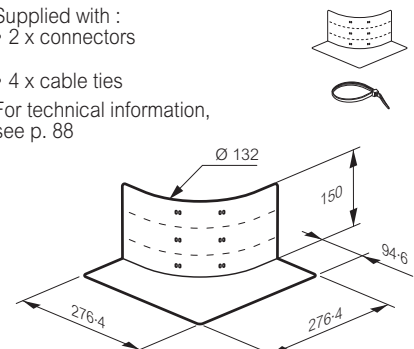
Pack	Cat. Nos.		PA – bend and tee radius support	
			\updownarrow 30 / 54 / 105	\curvearrowright 100 → 600 mm
			For technical information see p. 87	
	EZ	GC	H mm	
1	CM840101	CM840103	30	PA1
1	CM840111	CM840113	54	PA2
1	CM840131	CM840133	105	PA4



Pack	Cat. Nos.	RADT90KIT – bend and tee radius connector kit
		\updownarrow 150 mm \curvearrowright 150 → 600 mm
		For technical information, see p. 87
1	N EZ CM942942	Height (mm) 150 Kits comprise : • 2 x RADT90 • 8 x KITFIXVS (see p. 37) • 4 x CE40 (see p. 36) • 2 x BTRCC (see p. 36, 61)



Pack	Cat. Nos.	RADT90RS – bend and tee radius shield
		\updownarrow 54 → 150 mm \curvearrowright 100 → 600 mm
		For technical information, see p. 88
2	N PLAST CM944770	Supplied with : • 2 x connectors • 4 x cable ties



Key: EZ Electrogalvanised after manufacture	GC Hot dip galvanised after manufacture
PLAST Plastic	For detailed information related to finishes, refer to p. 150-151

All dimensions (mm) are nominal