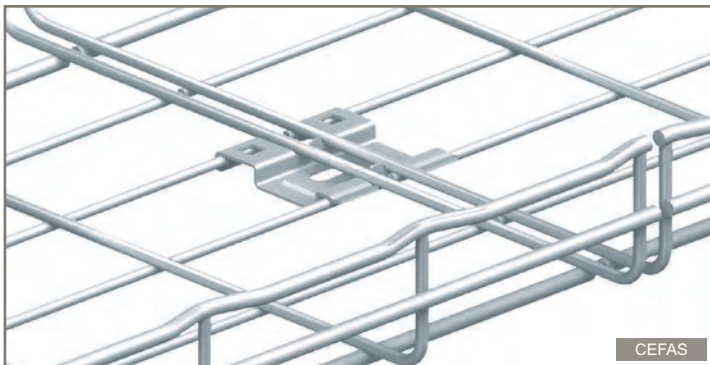
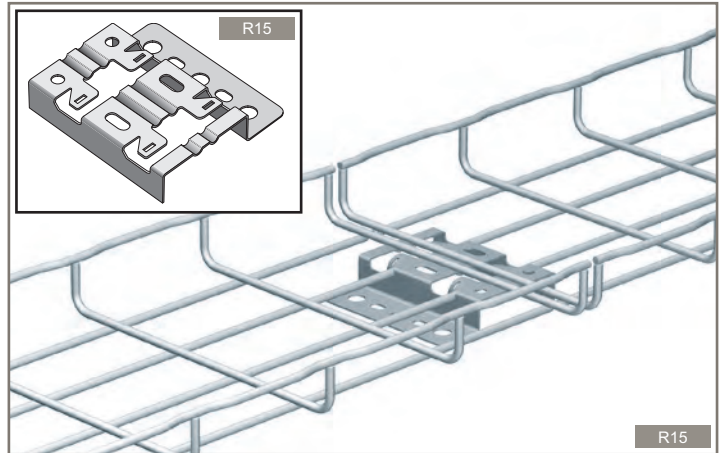
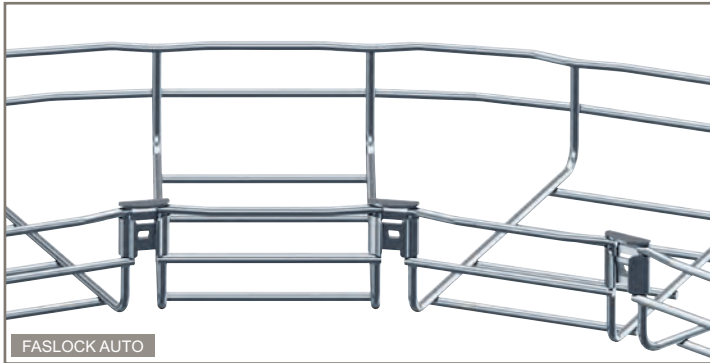


# couplers and connectors - FASLOCK AUTO - CEFAS - R15/R25/R35



Dimensions and technical information p. 84-86

**NOTE : please use Cat. No. when placing your order**

Pack	Cat. Nos.	FASLOCK AUTO – connectors
25	CM558340    CM558346	FASLOCK S $\updownarrow$ 30 / 54 / 105 mm $\leftrightarrow$ 100 → 600 mm For technical information, see p. 84
25	CM558320    CM558326	FASLOCK XL $\updownarrow$ 100 → 200 mm FASLOCK XL $\updownarrow$ 300 → 600 mm
25	CM558344	FASLOCK S $\updownarrow$ 100 → 200 mm
25	CM558324	FASLOCK XL $\updownarrow$ 300 → 600 mm
Pack	Cat. Nos.	CEFAS – base couplers
50	CM558410    CM558417	$\updownarrow$ 30 → 150 mm $\leftrightarrow$ 100 → 600 mm For technical information, see p. 85
50	CM558414	

Pack	Cat. Nos.	R15/R25/R35 – stand-off brackets
1	CM586170    CM586173	R15/100 $\updownarrow$ 30 → 150 mm $\leftrightarrow$ 100 → 600 mm For technical information, see p. 86
1	CM586174	
1	CM586610    CM586617	R15/300 $\updownarrow$ 30 → 150 mm $\leftrightarrow$ 100 → 600 mm For technical information, see p. 86
1	CM586614	
1	CM586640    CM586647	R25 $\updownarrow$ 30 → 150 mm $\leftrightarrow$ 100 → 600 mm
1	CM586650    CM586657	R35 $\updownarrow$ 30 → 150 mm $\leftrightarrow$ 100 → 600 mm

<b>Key:</b> Pre-galvanised	Zinc rich coating
Electrogalvanised after manufacture	Stainless steel 316 L
High Resistance*	
* For more information on High Resistance finish p. 12-13, 150	
For detailed information related to finishes, refer to p. 150-151	

All dimensions (mm) are nominal