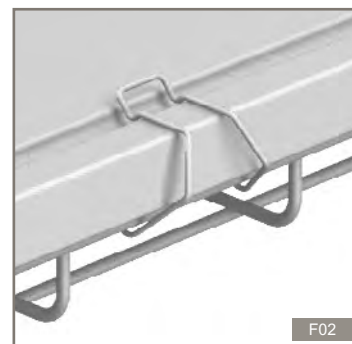
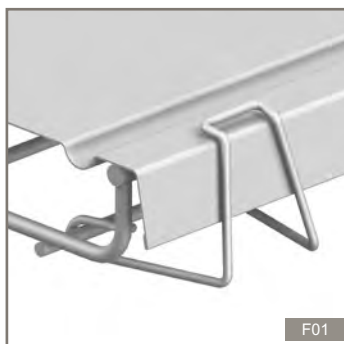
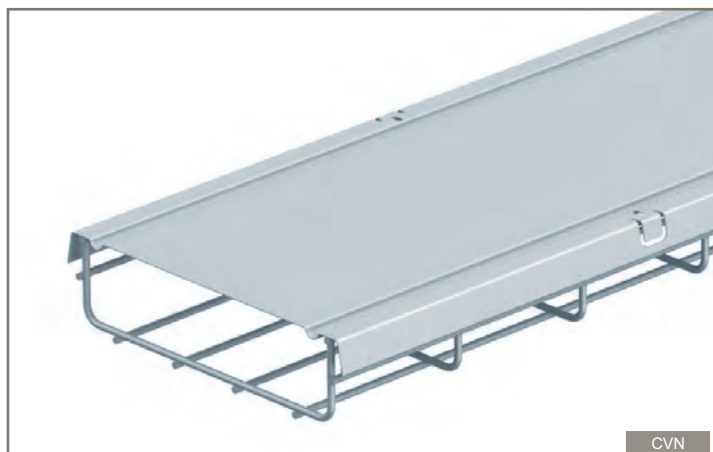


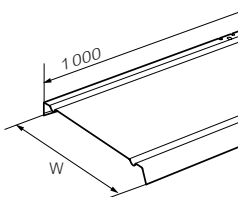
## covers and clips - CVN - F01 - F02



Dimensions and technical information **p. 80**

**NOTE : please use Cat. No. when placing your order**

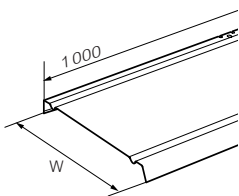
| Pack | Cat. Nos. |          | <b>CVN – covers</b>                          |  |
|------|-----------|----------|--|--|
|      |           |          |  |  |
|      |           |          | $\updownarrow 30 \rightarrow 150 \text{ mm}$ | $\curvearrowright 50 \rightarrow 600 \text{ mm}$ |
|      |           |          | Supplied in packs of 3 x 1 m lengths         |  |
|      |           |          | Width (mm)                                   |  |
| 1    | CM629050  | CM629056 | CVN50  | 71   |
| 1    | CM629100  | CM629106 | CVN100                                       | 121  |
| 1    | CM629150  | CM629156 | CVN150                                       | 171  |
| 1    | CM629200  | CM629206 | CVN200                                       | 221  |
| 1    | CM629300  | CM629306 | CVN300                                       | 322  |
| 1    | CM629400  | CM629406 | CVN400                                       | 425  |
| 1    | CM629450  | CM629456 | CVN450                                       | 475  |
| 1    | CM629500  | CM629506 | CVN500                                       | 525  |
| 1    | CM629600  | CM629606 | CVN600                                       | 625  |



| Pack | Cat. Nos. |          | <b>F01 / F02 – cover clips</b>                                     |  |
|------|-----------|----------|--|--|
|      |           |          |  |  |
|      |           |          | $\updownarrow 30 \rightarrow 150 \text{ mm}$                       | $\curvearrowright 50 \rightarrow 600 \text{ mm}$ |
|      |           |          | F01 and F02 clips can be used with both CVN and CP covers          |  |
|      |           |          | <b>F01 – cover clip</b>  |  |
| 25   | CM646220  | CM646224 | For 30 mm tray (CF30)  |  |
|      |           |          |  |  |
|      |           |          | <b>F02 – cover clip</b>  |  |
| 25   | CM646200  | CM646204 | For 54 mm tray (CF54), 105 mm tray (CF105) and 150 mm tray (CF150) |  |



| Pack | Cat. Nos. |  | <b>CVN stainless steel – covers</b>          |  |
|------|-----------|--|--|--|
|      |           |  |  |  |
|      |           |  | $\updownarrow 30 \rightarrow 150 \text{ mm}$ | $\curvearrowright 50 \rightarrow 600 \text{ mm}$ |
|      |           |  | Supplied in packs of 3 x 1 m lengths         |  |
|      |           |  | Width (mm)                                   |  |
| 1    | CM629054  |  | CVN50  | 71   |
| 1    | CM629104  |  | CVN100                                       | 121  |
| 1    | CM629154  |  | CVN150                                       | 171  |
| 1    | CM629204  |  | CVN200                                       | 221  |
| 1    | CM629304  |  | CVN300                                       | 322  |
| 1    | CM629404  |  | CVN400                                       | 425  |
| 1    | CM629504  |  | CVN500                                       | 525  |
| 1    | CM629604  |  | CVN600                                       | 625  |



|   |                  |  |                       |
|---|------------------|--|-----------------------|
| <b>Key:</b>   | Pre-galvanised   |  | Stainless steel 316 L |
|   | High Resistance* |  | Stainless steel 301 L |
| * For more information on High Resistance finish <b>p. 12-13, 150</b> |                  | For detailed information related to finishes, refer to <b>p. 150-151</b> |                       |

All dimensions (mm) are nominal