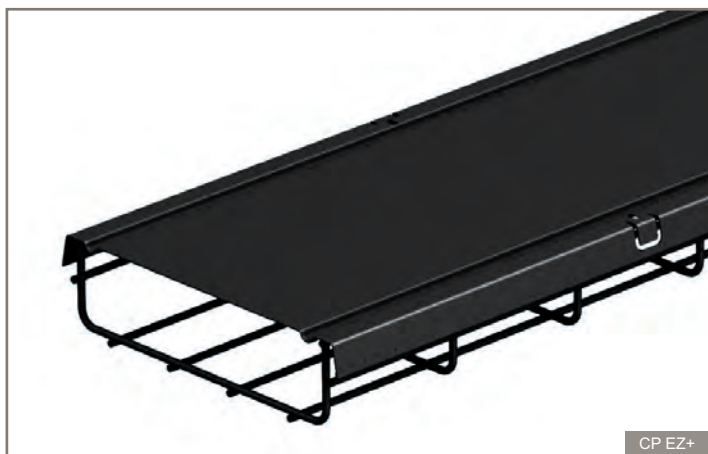


CP

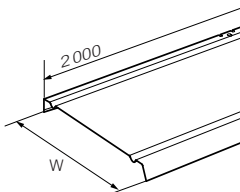


CP EZ+

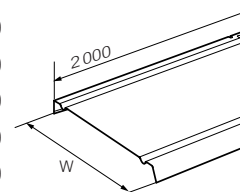
Dimensions and technical information **p. 80**

NOTE : please use Cat. No. when placing your order

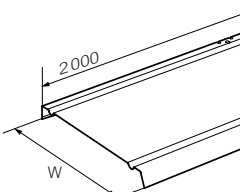
Pack	Cat. Nos.		CP – covers	
			GS	HR
			$\updownarrow 30 \rightarrow 150 \text{ mm}$ $\curvearrowright 50 \rightarrow 600 \text{ mm}$ $\longleftrightarrow 2 \text{ m}$ Supplied singly in a 2 m length	
				Width (mm)
1	CM646010	CM350664	CP50	71
1	CM646020	CM350665	CP100	121
1	CM646030	CM350666	CP150	171
1	CM646040	CM350667	CP200	221
1	CM646050	CM350668	CP300	322
1	CM646060	CM350669	CP400	425
1	CM646090	CM350670	CP450	475
1	CM646070	CM350671	CP500	525
1	CM646080	CM350672	CP600	625



Pack	Cat. Nos.		CP EZ+ – covers	
			EZ+	
			$\updownarrow 54 \text{ mm}$ $\curvearrowright 50 \rightarrow 600 \text{ mm}$ $\longleftrightarrow 2 \text{ m}$ Colour : black Supplied singly in a 2 m length	
				Width (mm)
1	CM350881		CP50	50
1	CM350882		CP100	100
1	CM350883		CP150	150
1	CM350884		CP200	200
1	CM350885		CP300	300
1	CM350886		CP400	400
1	CM350887		CP500	500
1	CM350888		CP600	600



Pack	Cat. Nos.		CP stainless steel – covers	
			316L	
			$\updownarrow 30 \rightarrow 150 \text{ mm}$ $\curvearrowright 50 \rightarrow 600 \text{ mm}$ $\longleftrightarrow 2 \text{ m}$ Supplied singly in a 2 m length	
				Width (mm)
1	CM646014		CP50	71
1	CM646024		CP100	121
1	CM646034		CP150	171
1	CM646044		CP200	221
1	CM646054		CP300	322
1	CM646064		CP400	425
1	CM646094		CP450	475
1	CM646074		CP500	525
1	CM646084		CP600	625



Key: GS Pre-galvanised	EZ+ Additional coating after electrogalvanisation (black)
HR High Resistance*	316L Stainless steel 316 L
* For more information on High Resistance finish p. 12-13, 150	
For detailed information related to finishes, refer to p. 150-151	

All dimensions (mm) are nominal