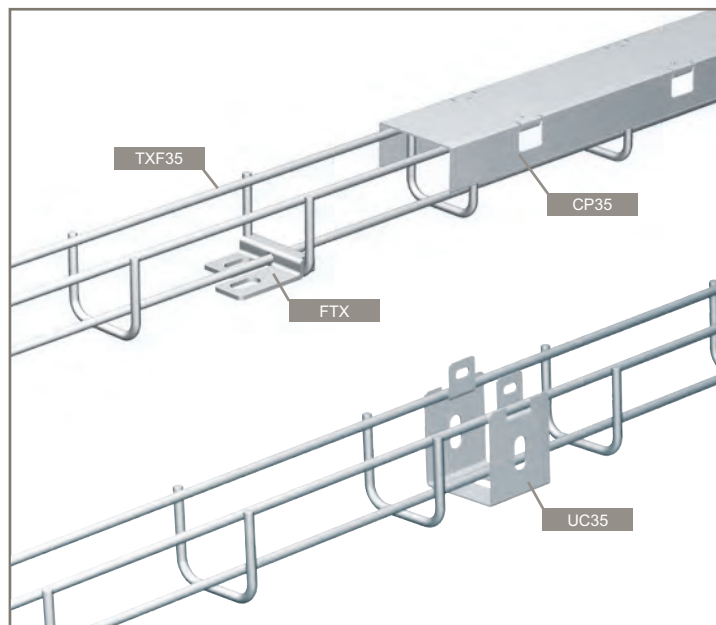


mini steel wire cable tray - TXF35



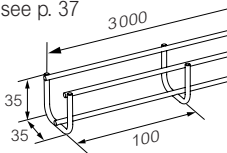
Dimensions and technical information p. 76

NOTE : please use Cat. No. when placing your order

Pack	Cat. Nos.	
1	EZ CM755001	GC CM755003
1	304L CM755008	316L CM755004

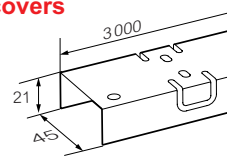
TXF35 – straight lengths (3 m)¹

\updownarrow 35 mm \curvearrowright 35 mm \rightleftarrows 3 m
 Length to length coupling options for EZ and GC finishes :
 • KITASSTR / KITASSVS, see p. 37
 Length to length coupling options for stainless steel finishes :
 • KITINOX, see p. 37



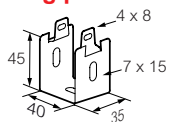
Pack	Cat. Nos.		
1	GS CM755100	GC CM755103	316L CM755104

CP35 – covers



Pack	Cat. Nos.		
1	GS CM586160	GC CM586163	316L CM586164

UC35 – base fixing plates



Pack	Cat. Nos.		
1	GS CM586180	HR CM586183	316L CM586184

FTX – base fixing plates



1: No safety edge

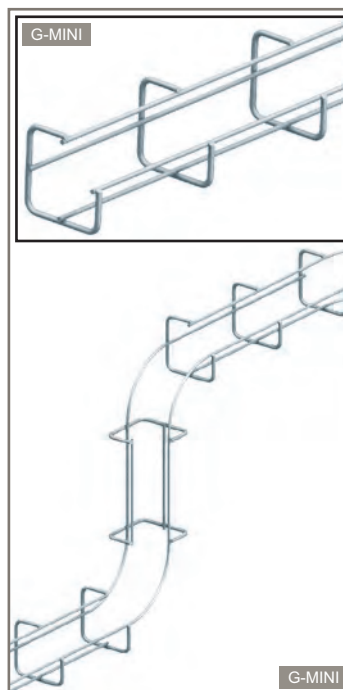
Key:	GS	Pre-galvanised	HR	High Resistance*
	EZ	Electrogalvanised after manufacture	304L	Stainless steel 304 L
	GC	Hot dip galvanised after manufacture	316L	Stainless steel 316 L

* For more information on High Resistance finish p. 12-13, 150

For detailed information related to finishes, refer to p. 150-151

All dimensions (mm) are nominal

flexible steel wire cable tray - G-MINI



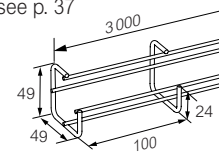
Dimensions and technical information p. 77

NOTE : please use Cat. No. when placing your order

Pack	Cat. Nos.		
1	EZ CM430111	GC -	316L CM430114

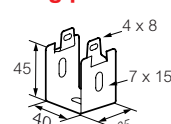
G-MINI – straight lengths (3 m)¹

\updownarrow 50 mm \curvearrowright 50 mm \rightleftarrows 3 m
 Product is manipulated into shape by bending
 Length to length coupling options for EZ finish :
 • ED275 + KITFIXTR / KITFIXVS, see p. 32, 37
 • KITASSTR / KITASSVS, see p. 37
 Length to length coupling options for stainless steel finish :
 • ED275 + CE25 + BTRCC 6 x 20, see p. 32, 36, 61
 • KITINOX, see p. 37



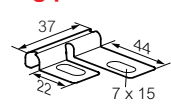
Pack	Cat. Nos.		
1	GS CM586160	GC CM586163	316L CM586164

UC35 – base fixing plates



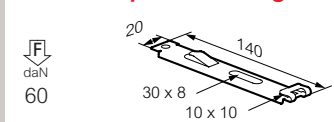
Pack	Cat. Nos.		
1	GS CM586180	HR CM586183	316L CM586184

FTX – base fixing plates



Pack	Cat. Nos.		
1	EZ CM586031	HR CM586037	316L -

SAS – suspension hangers



1: No safety edge