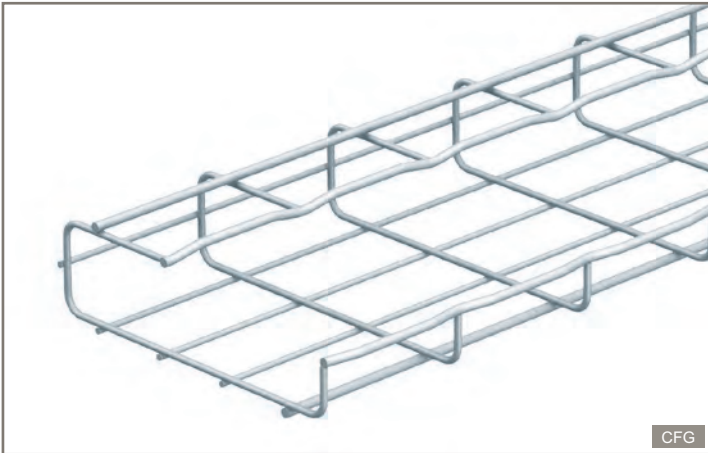
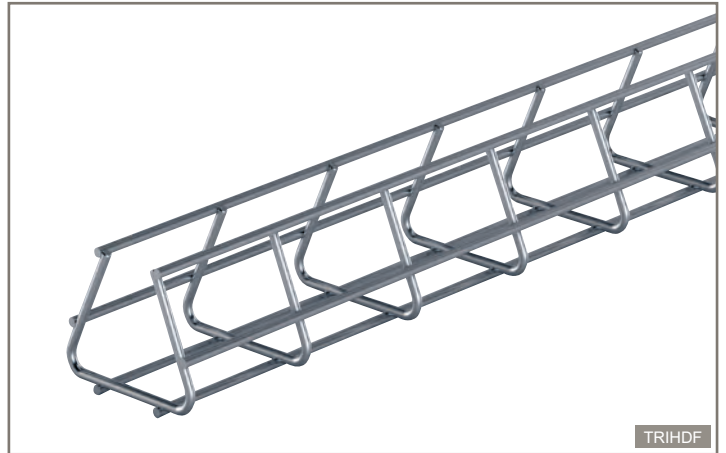


## straight lengths - CFG

## straight lengths - TRIHDF for heavy duty or widespan applications



CFG



TRIHDF

Loading graphs **p. 72**  
Dimensions and technical information **p. 72**

**NOTE : please use Cat. No. when placing your order**

Pack	Cat. Nos.		CFG – straight lengths (3 m)	
			$\updownarrow$ 50 mm $\curvearrowright$ 100 mm $\rightarrow$ 200 mm $\rightleftarrows$ 3 m For length to length coupling options : • ED275 + KITFIXTR / KITFIXVS, see p. 32, 37 • KITASSSTR / KITASSVS, see p. 37	
	<b>EZ</b>	<b>GC</b>		Width (mm)
1	CM003221	CM003223	CFG50/100	100
1	CM003231	CM003233	CFG50/150	150
1	CM003241	CM003243	CFG50/200	200

Loading graphs **p. 73**  
Dimensions and technical information **p. 73**

**NOTE : please use Cat. No. when placing your order**

Pack	Cat. Nos.		TRIHDF – straight lengths (3 m)	
			$\updownarrow$ 80 mm $\curvearrowright$ 100 mm $\rightarrow$ 3 m For length to length coupling options : • Z240 + KITFIXTR, see p. 32, 37 • KITASSVS, see p. 37	
		<b>GC</b>		Width (mm)
1	CM001113		TRIHDF80/100 <sup>1</sup>	100

Pack	Cat. Nos.		CFG stainless steel – straight lengths (3 m)	
			$\updownarrow$ 50 mm $\curvearrowright$ 100 mm $\rightarrow$ 200 mm $\rightleftarrows$ 3 m For length to length coupling options : • ED275 + KITFIXTR / KITFIXVS, see p. 32, 37 • KITASSVS, see p. 37	
	<b>304L</b>	<b>316L</b>		Width (mm)
1	CM003228	CM003224	CFG50/100	100
1	CM003238	CM003234	CFG50/150	150
1	CM003248	CM003244	CFG50/200	200

**Key:** **EZ** Electrogalvanised after manufacture      **304L** Stainless steel 304 L  
**GC** Hot dip galvanised after manufacture      **316L** Stainless steel 316 L

For detailed information related to finishes, refer to **p. 150-151**

All dimensions (mm) are nominal

1: No safety edge