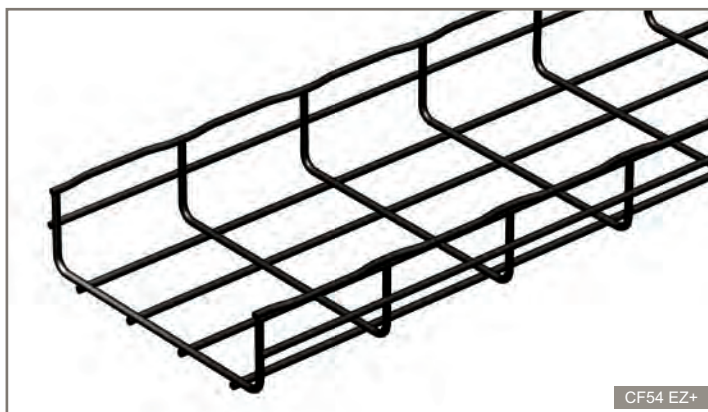
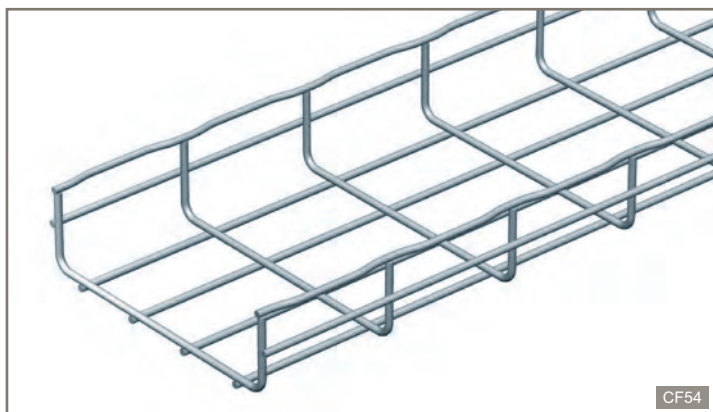


straight lengths - CF54 - CF54 EZ+



Loading graphs p. 69  
Dimensions and technical information p. 69

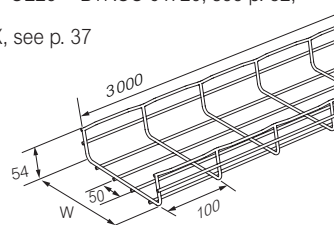
**NOTE : please use Cat. No. when placing your order**

Pack	Cat. Nos.		<b>CF54 – straight lengths (3 m)</b>	
			$\downarrow \uparrow$ 54 mm $\leftarrow \rightarrow$ 50 mm $\rightarrow$ 600 mm $\rightleftharpoons$ 3 m For length to length coupling options : • EDNR, see p. 32 • ED275 + KITFIXTR / KITFIXVS, see p. 32, 37 • KITASSTR / KITASSVS, see p. 37	
	<b>EZ</b>	<b>GC</b>		
1	CM000061	CM000063	CF54/50	50
1	CM000071	CM000073	CF54/100	100
1	CM000081	CM000083	CF54/150	150
1	CM000091	CM000093	CF54/200	200
1	CM000101	CM000103	CF54/300	300
1	CM000201	CM000203	CF54/400	400
1	CM000251	CM000253	CF54/450	450
1	CM000301	CM000303	CF54/500	500
1	CM000401	CM000403	CF54/600	600
		<b>HR</b>		
1	CM000066		CF54/50	50
1	CM000076		CF54/100	100
1	CM000086		CF54/150	150
1	CM000096		CF54/200	200
1	CM000106		CF54/300	300
1	CM000206		CF54/400	400
1	CM000256		CF54/450	450
1	CM000306		CF54/500	500
1	CM000406		CF54/600	600

Pack	Cat. Nos.	
	<b>304L</b>	<b>316L</b>
1	CM000068	CM000064
1	CM000078	CM000074
1	CM000088	CM000084
1	CM000098	CM000094
1	CM000108	CM000104
1	CM000208	CM000204
1	CM000258	CM000254
1	CM000308	CM000304
1	CM000408	CM000404

**CF54 stainless steel – straight lengths (3 m)**

$\downarrow \uparrow$  54 mm  $\leftarrow \rightarrow$  50 mm  $\rightarrow$  600 mm  $\rightleftharpoons$  3 m  
 For length to length coupling options :  
 • ED275 + CE25 + BTRCC 6 x 20, see p. 32, 36, 61  
 • KITINOX, see p. 37

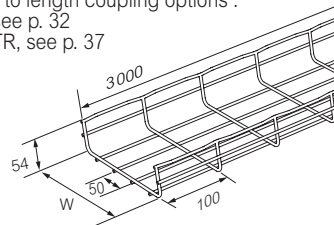


Width (mm)	Profile Icon
50	
100	
150	
200	
300	
400	
450	
500	
600	

Pack	Cat. Nos.	
	<b>EZ+</b>	
1	CM000062	CF54/50
1	CM000072	CF54/100
1	CM000082	CF54/150
1	CM000092	CF54/200
1	CM000102	CF54/300
1	CM000202	CF54/400
1	CM000252	CF54/450
1	CM000302	CF54/500
1	CM000402	CF54/600

**CF54 EZ+ – straight lengths (3 m)**

$\downarrow \uparrow$  54 mm  $\leftarrow \rightarrow$  50 mm  $\rightarrow$  600 mm  $\rightleftharpoons$  3 m  
**Colour : black**  
 For length to length coupling options :  
 • EDNR, see p. 32  
 • KITASSTR, see p. 37



Width (mm)	Profile Icon
50	
100	
150	
200	
300	
400	
450	
500	
600	

**Key:** **EZ** Electrogalvanised after manufacture      **304L** Stainless steel 304 L  
**GC** Hot dip galvanised after manufacture      **316L** Stainless steel 316 L  
**HR** High Resistance\*      **EZ+** Additional coating after electrogalvanisation (black)

\* For more information on High Resistance finish p. 12-13, 150  
 For detailed information related to finishes, refer to p. 150-151

All dimensions (mm) are nominal