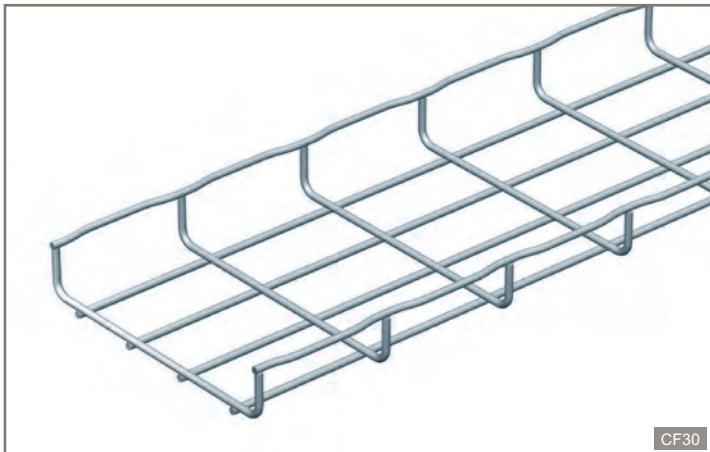


# straight lengths - CF30



CF30

Loading graphs **p. 68**  
 Dimensions and technical information **p. 68**

**NOTE : please use Cat. No. when placing your order**

Pack	Cat. Nos.		CF30 – straight lengths (3 m)			
				$\downarrow\uparrow$ 30 mm	$\leftarrow$ 50 mm $\rightarrow$ 600 mm	$\rightleftharpoons$ 3 m
				For length to length coupling options :		
				• EDRN, see p. 32		
				• ED275 + KITFIXTR / KITFIXVS, see p. 32, 37		
				• KITASSTR / KITASSVS, see p. 37		
				Width (mm)		
	<b>EZ</b>	<b>GC</b>				
1	CM000011	CM000013	CF30/50 <sup>1</sup>	50		
1	CM000021	CM000023	CF30/100	100		
1	CM000031	CM000033	CF30/150	150		
1	CM000041	CM000043	CF30/200	200		
1	CM000051	CM000053	CF30/300	300		
1	CM000801	-	CF30/400	400		
1	CM000831	-	CF30/450	450		
1	CM000811	-	CF30/500	500		
1	CM000851	-	CF30/600	600		
	<b>HR</b>					
1	CM000016		CF30/50 <sup>1</sup>	50		
1	CM000026		CF30/100	100		
1	CM000036		CF30/150	150		
1	CM000046		CF30/200	200		
1	CM000056		CF30/300	300		
1	CM000806		CF30/400	400		
1	CM000836		CF30/450	450		
1	CM000816		CF30/500	500		
1	CM000856		CF30/600	600		

Pack	Cat. Nos.		CF30 stainless steel – straight lengths (3 m)			
				$\downarrow\uparrow$ 30 mm	$\leftarrow$ 50 mm $\rightarrow$ 300 mm	$\rightleftharpoons$ 3 m
				For length to length coupling options :		
				• ED275 + CE25 + BTRCC 6 x 20, see p. 32, 36, 61		
				• KITINOX, see p. 37		
				Width (mm)		
	<b>304L</b>	<b>316L</b>				
1	CM000018	CM000014	CF30/50 <sup>1</sup>	50		
1	CM000028	CM000024	CF30/100	100		
1	CM000038	CM000034	CF30/150	150		
1	CM000048	CM000044	CF30/200	200		
1	CM000058	CM000054	CF30/300	300		

1: No safety edge

<b>Key:</b> <b>EZ</b> Electrogalvanised after manufacture	<b>304L</b> Stainless steel 304 L
<b>GC</b> Hot dip galvanised after manufacture	<b>316L</b> Stainless steel 316 L
<b>HR</b> High Resistance*	
* For more information on High Resistance finish <b>p. 12-13, 150</b>	For detailed information related to finishes, refer to <b>p. 150-151</b>

All dimensions (mm) are nominal