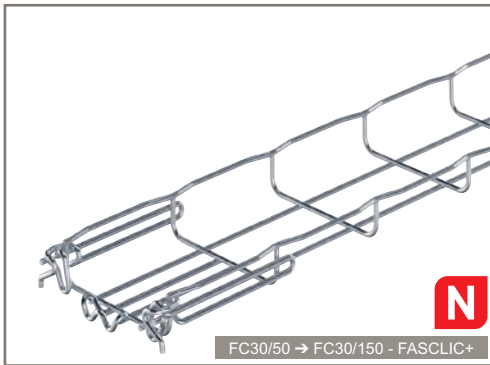
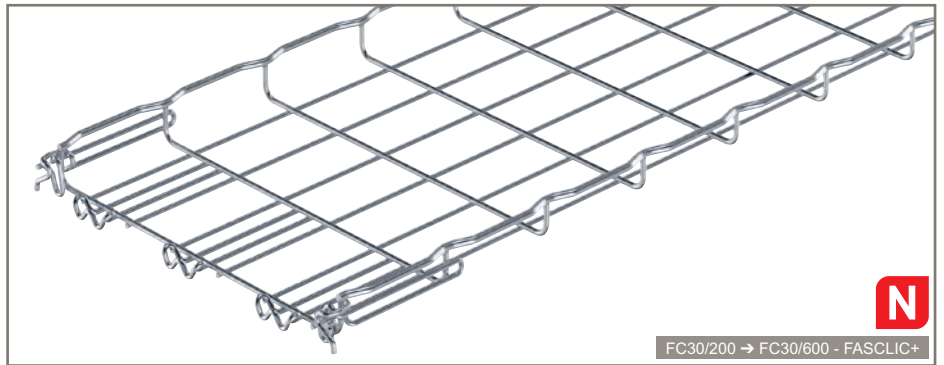


# straight lengths - FC30 - FASCLIC+ N



FC30/50 → FC30/150 - FASCLIC+



FC30/200 → FC30/600 - FASCLIC+

Loading graphs **p. 64**  
 Dimensions and technical information **p. 64**

**NOTE : please use Cat. No. when placing your order**

Pack	Cat. Nos.		<b>FC30 - FASCLIC+ – straight lengths (3 m)</b>	
			$\updownarrow$ 30 mm	$\curvearrowright$ 50 mm → 600 mm $\longleftrightarrow$ 3 m
			Width (mm)	
	<b>EZ</b>	<b>HR</b>		
1	CM200011	CM200016	FC30/50 <sup>1</sup>	50
1	CM200021	CM200026	FC30/100	100
1	CM200031	CM200036	FC30/150	150
1	CM200041	CM200046	FC30/200	200
1	CM200051	CM200056	FC30/300	300
1	CM200801	CM200806	FC30/400	400
1	CM200831	CM200836	FC30/450	450
1	CM200811	CM200816	FC30/500	500
1	CM200851	CM200856	FC30/600	600

Pack	Cat. Nos.		<b>FC30 - FASCLIC+ stainless steel – straight lengths (3 m)</b>	
			$\updownarrow$ 30 mm	$\curvearrowright$ 50 mm → 300 mm $\longleftrightarrow$ 3 m
			Width (mm)	
	<b>304L</b>	<b>316L</b>		
1	CM200018	CM200014	FC30/50 <sup>1</sup>	50
1	CM200028	CM200024	FC30/100	100
1	CM200038	CM200034	FC30/150	150
1	CM200048	CM200044	FC30/200	200
1	CM200058	CM200054	FC30/300	300

1: No safety edge

<b>Key:</b> <span style="background-color: #ffff00; padding: 2px;">EZ</span> Electrogalvanised after manufacture	<span style="background-color: #ff8c00; padding: 2px;">304L</span> Stainless steel 304 L
<span style="background-color: #800080; color: white; padding: 2px;">HR</span> High Resistance*	<span style="background-color: #0000ff; color: white; padding: 2px;">316L</span> Stainless steel 316 L
* For more information on High Resistance finish <b>p. 12-13, 150</b>	
For detailed information related to finishes, refer to <b>p. 150-151</b>	

All dimensions (mm) are nominal