

DSX

SAFETY, STRENGTH AND
EASE OF INSTALLATION



.....
ISOLATING SWITCHES &
TRANSFER SWITCHING EQUIPMENT
UP TO 320 A
.....

THE GLOBAL SPECIALIST
IN ELECTRICAL AND DIGITAL BUILDING INFRASTRUCTURES

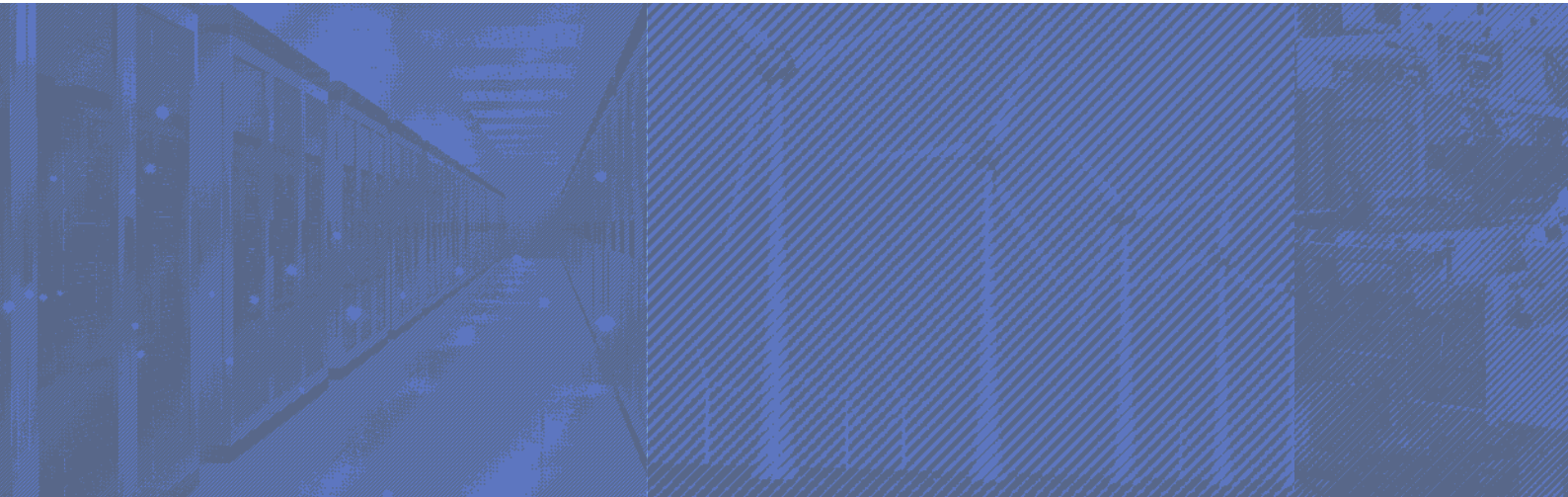
 **legrand**[®]

NEW RANGE

DSX

A new range
that meets the
specific needs of
your installations

Legrand's new isolating switches and transfer switching equipment are used for incoming control in various fields of application: low voltage distribution boards, transformer substations, power plants, wind turbines, data centers, machine control, UPS, etc. The DSX range integrates seamlessly into XL³-S or XL³ enclosures (modular range only) to create different configurations depending on the type of installation.



DSX RANGE

CONFORMING TO STANDARDS:

IEC 60947-3: 2020

FOR ISOLATING SWITCHES

IEC 60947-6-1: 2020

FOR TRANSFER SWITCHING EQUIPMENT

CONTENTS

Rail or plate-mounting, simpler selection p.2

Modular range:

- Easier installationp.4
- Accessories: simpler selection and installation p.6

Plate-mounting range:

- Increased strength and safety up to 320 A p.8
- Accessories:
simplicity of use and adaptability p.10

Catalogue pages..... p.12

DSX, AN ESSENTIAL RANGE OF DEVICES WHICH CAN BE USED TO MAKE SAFE AND ISOLATE NETWORKS AND ELECTRICAL EQUIPMENT TO ENSURE THE SAFETY OF PEOPLE AND PROPERTY AND COMPLIANCE WITH CURRENT STANDARDS



DIN RAIL-MOUNTING DSX RANGE
from 32 A to 160 A



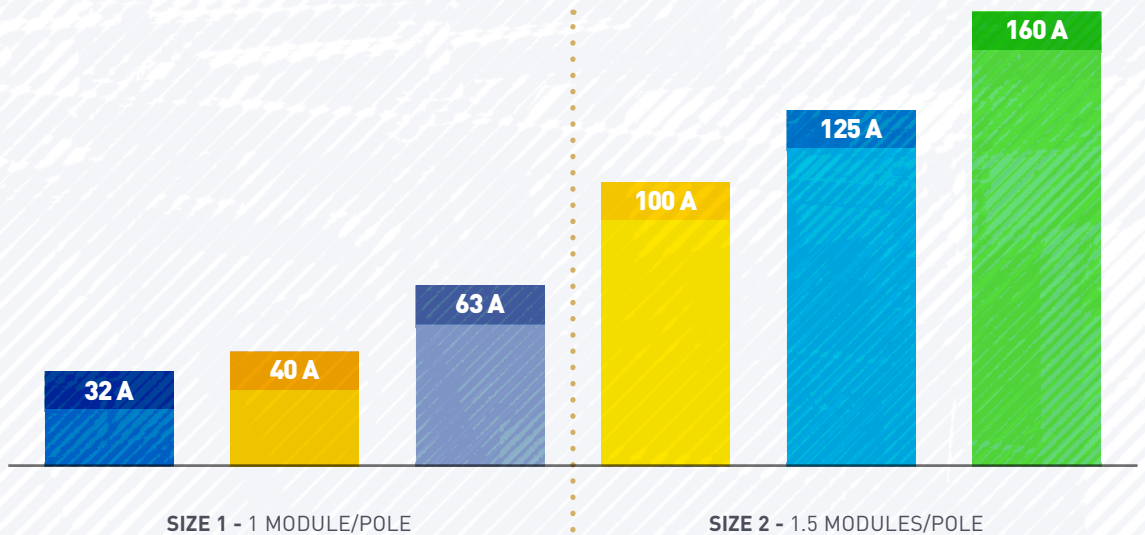
PLATE MOUNTING DSX RANGE
from 100 A to 320 A

Rail or plate-mounting, simpler selection

A suitable solution
for installations
up to 320 A

The new DSX range consists of two types of device: isolating switches and transfer switching equipment, DIN rail-mounting ($I_n \leq 160$ A), or plate-mounting ($I_n \leq 320$ A) available in 3 or 4-pole versions. Depending on the device type, they break, close or switch the load and safely isolate any low-voltage circuit, especially machine control circuits.

ON A DIN RAIL



ISOLATING SWITCHES



TRANSFER SWITCHING EQUIPMENT

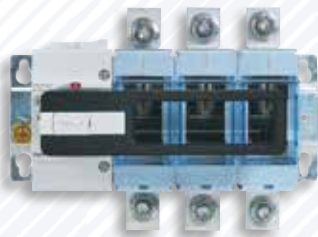


OF USE CATEGORY	VOLTAGE
AC 23 A/B	415 V~
AC 21 A/B	690 V~
DC 21 A/B	250 V=

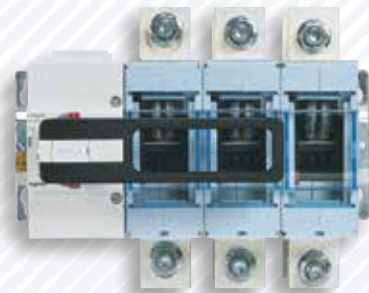
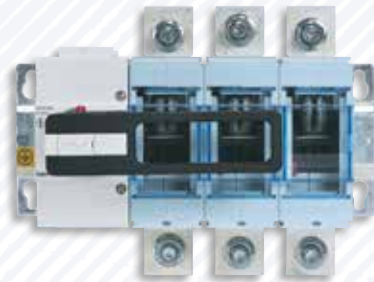
ON A PLATE



SIZE 1



SIZE 2



Easier installation

Optimise space and wiring operations

Up to 160 A, DSX isolating switches and transfer switching equipment can be mounted on a DIN rail. Their compact dimensions optimise the space inside distribution boards. They have been specially designed to make wiring and use easier.

ISOLATING SWITCHES



11

10

6

TRANSFER SWITCHING EQUIPMENT



1

2

3

4

5

9

8

7

1 INTERNAL MECHANISM

With double-breaking poles by self-cleaning snap-action make/break contacts.

2 CAGE TERMINALS

for Al or Cu cables on isolating switches and transfer switching equipment.



3 MARKED WITH ELECTRICAL SYMBOL

For identifying the product function, even without a wiring diagram

4 MARKED WITH PRODUCT CATALOGUE NUMBER

For ease of identification.

5 PADLOCKING DEVICE

In "open" position for maximum safety during maintenance operations. For 6 mm diameter padlocks



6 FIXING CLAWS

On DIN rail (at the back of the device).



7 FRONT HANDLE DIRECTLY ON THE DEVICE

Marked with arrow and cut-out for easy identification of the contact position.

8 CONTACT IDENTIFICATION

Makes it easy to find contacts corresponding to the wiring diagram.

9 MARKED WITH NOMINAL CURRENT

10 TECHNICAL MARKING

Set out on the side of devices (voltage, frequency, category of use, etc).



11 POSITION MARKING

Corresponding to the contact position

ISOLATING SWITCHES

Green (0)



Red (I)

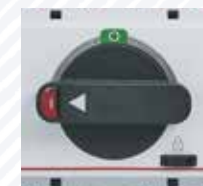


MANUAL SUPPLY INVERTERS

Green (0)



Red (I)



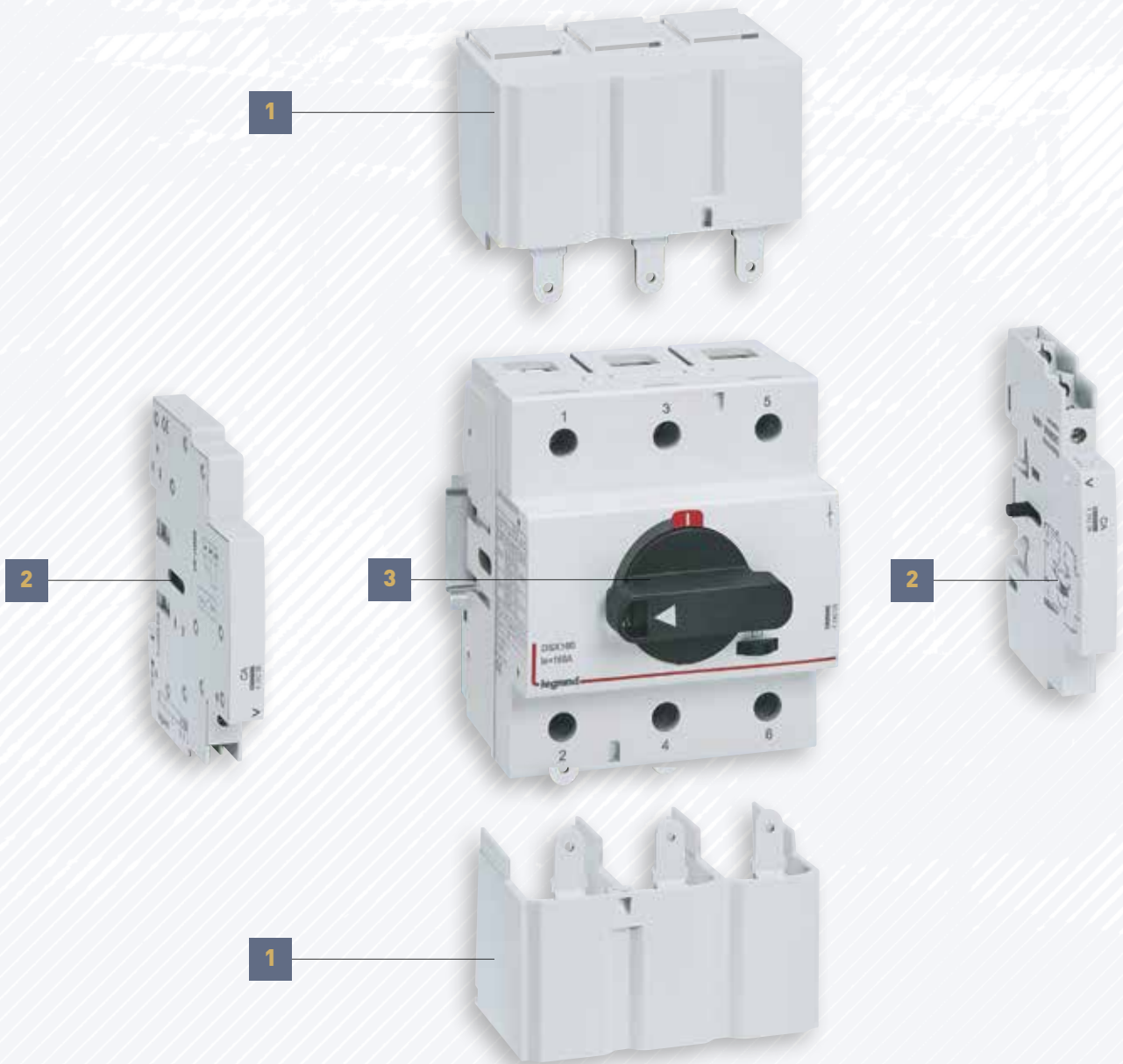
Red (II)



Simpler selection and installation

Accessories to improve speed and efficiency

Various accessories allow you to customise the installation to suit your needs: handle for mounting on door, auxiliary contacts, accessories for wiring and additional power poles.



1 IP30 SEALABLE TERMINAL SHIELD

Available in 1P and 3P version. Compatible with all products in the modular DSX range (isolating switches and transfer switching equipment).



2 AUXILIARY SIGNALLING CONTACT (NO+NC)

Indicates the status of the contacts on the device to which it is attached. Simply clips onto the left or right of the device. Compatible with all products in the modular DSX range. A single device can take up to 4 auxiliary contacts (2 on each side).



3 FRONT HANDLE, DIRECTLY ON THE DEVICE.

Can be replaced with a red/yellow "emergency stop" type handle or an IP55 external handle for mounting on door (standard or "emergency stop" version).



SUPPLY INVERTERS

Manual supply inverters can also be equipped with bridging kits in 3P or 4P version on upstream or downstream terminals.

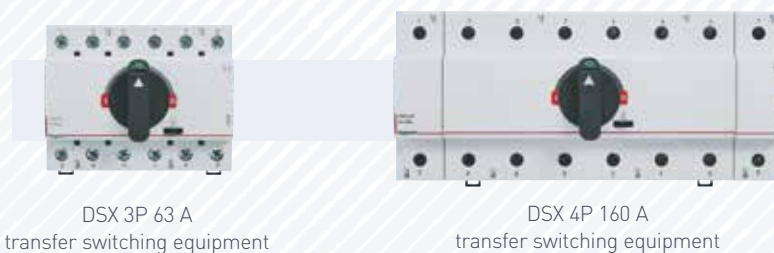


EXTRA POWER POLE

To obtain a 4P isolating switch, simply equip a 3P version with an extra pole. The 4th pole can be installed on the left or right-hand side of the isolating switch for perfect adaptation to usual wiring methods.



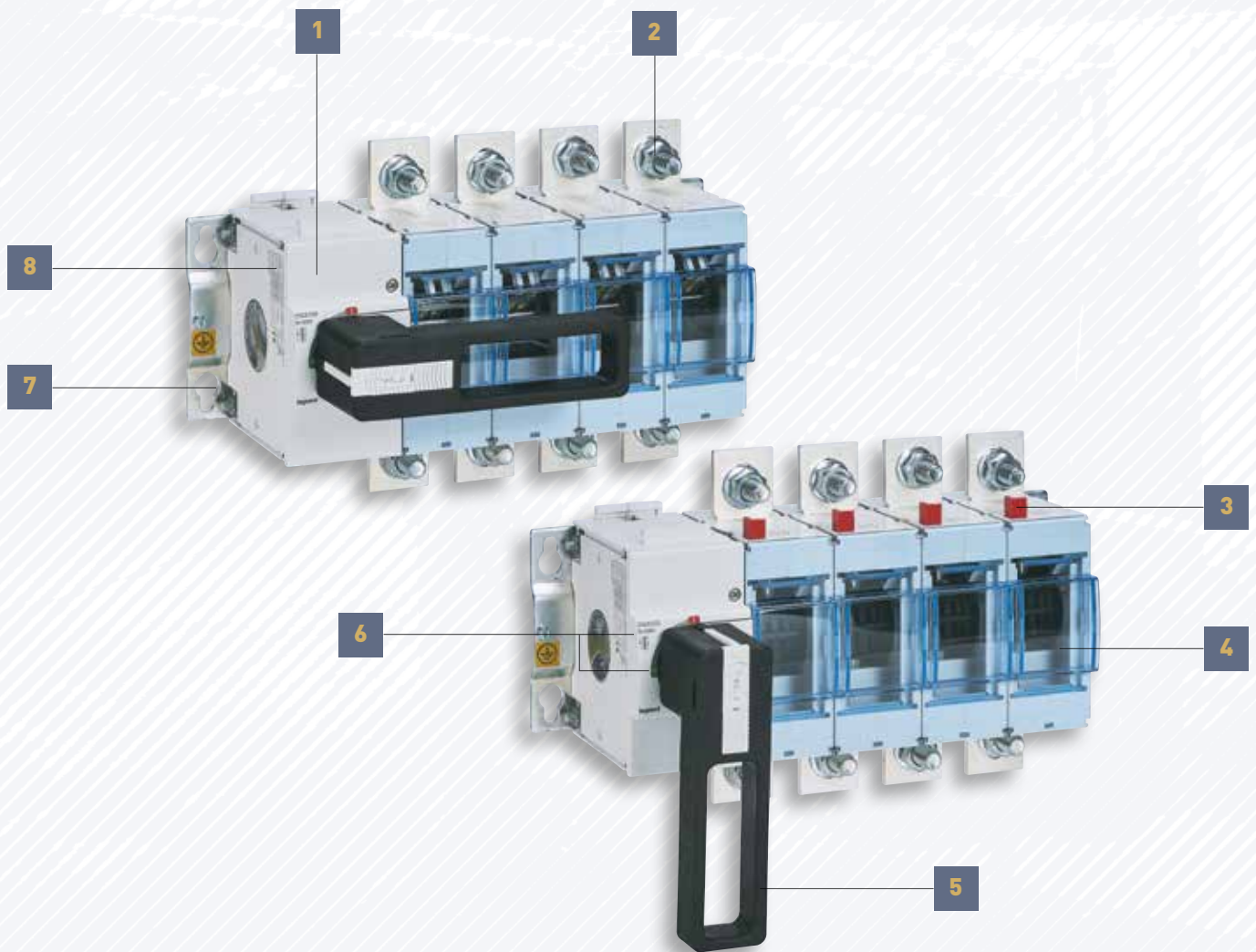
Transfer switching equipment is available directly in 3P or 4P version.



Increased strength and safety up to 320 A

Visible load breaking

Plate-mounting DSX isolating switches and transfer switching equipment respectively break/close and switch the load with visible breaking. The actual position of the contacts is directly visible thanks to the transparent window on the front of devices. For maximum safety and identification of the contact position at a glance, all the devices have retractable status indicators.



1 INTERNAL MECHANISM

With double-breaking poles by self-cleaning snap-action make/break contacts.

2 TERMINALS FOR CABLE LUGS

For Al or Cu cables.

3 RETRACTABLE STATUS INDICATORS

Make it easy to identify the contact position ("open"/"closed") for each pole on the device (Legrand innovation).



Contacts open = indicators in retracted position



Contacts closed = indicators visible

Also available on plate-mounting transfer switching equipment in the DSX range.



4 TRANSPARENT WINDOW

Allows the actual position of the contacts to be viewed inside the device.

5 FRONT HANDLE DIRECTLY ON THE DEVICE.

(to be ordered separately)
Can be used to padlock the device in "Open" position during maintenance operations;
Takes up to 3 padlocks, each diameter 8 mm



6 CLEAR MARKING

Indicates the product catalogue number, nominal current, electrical symbol, contact position depending on the handle.

Green (0)/Red (I)

Green (0)/Red (I)/Red (II)

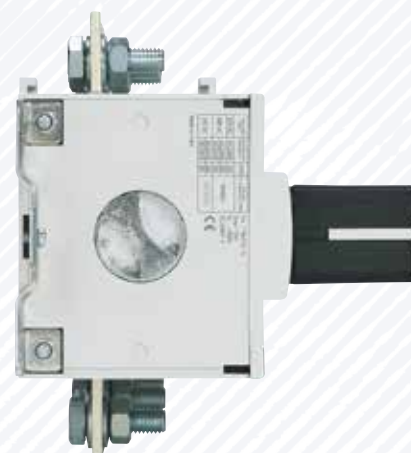


7 METAL BASE

With oblong fixing holes, so the device position can be adjusted during mounting.

8 TECHNICAL MARKING

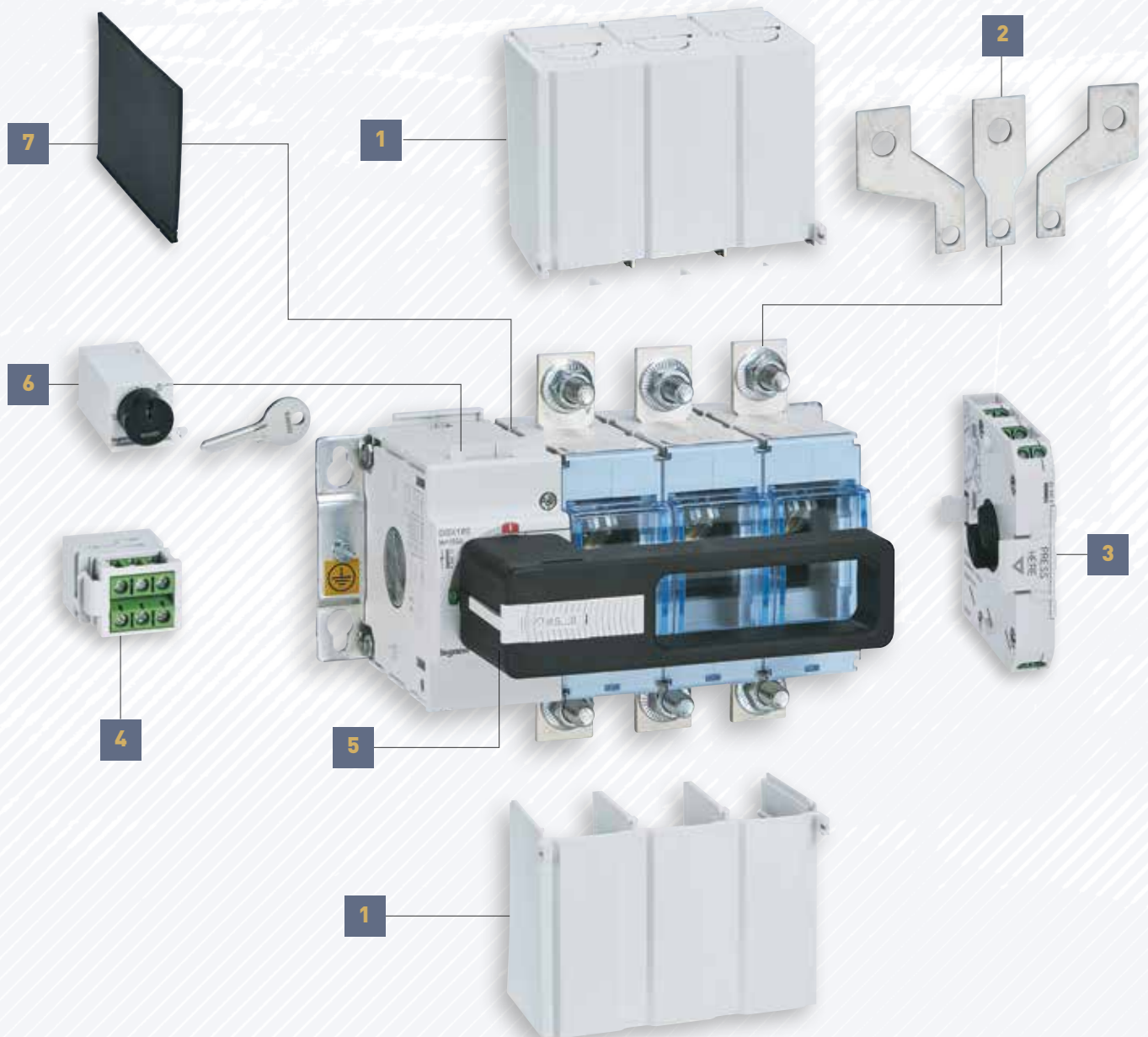
Set out on the side of devices (voltage, frequency, category of use, etc).



Simplicity of use and adaptability

A complete
panoply of
accessories

Handle for mounting on door, auxiliary contacts, accessories for wiring, a complete range of accessories for adapting to different installation configurations and simplify wiring operations.



1 IP30 SEALABLE TERMINAL SHIELD

Available in 3P and 4P version. Compatible with all products in the plate-mounting DSX range (isolating switches and transfer switching equipment).



2 SPREADERS

Installed on upstream or downstream terminals for easier wiring. Available in 3P and 4P version. Compatible with all products in the plate-mounting DSX range.

3 AUXILIARY SIGNALLING CONTACT 4 (NO+NC)

Indicates the status of the contacts on the device to which it is attached. Simply clips onto the right-hand side of the device. Compatible with all products in the plate-mounting DSX range.



Isolating switches:
1 contact/device

Transfer switching
equipment:
2 contacts/device

4 EARLY MAKE/BREAK AUXILIARY CONTACT 2 (NO+NC).

Breaks before (or closes after) the main contacts of the device to which it is attached.

Placed in a control circuit, this avoids the load being cut off when the isolating switch is actuated. Installed inside devices, by simply clipping into a dedicated compartment. Compatible with all products in the plate-mounting DSX range.



5 FRONT HANDLE, DIRECTLY ON THE DEVICE

Can be replaced with a red/yellow "emergency stop" type handle or an IP 55 external handle for mounting on door (standard or "emergency stop" version). Compatible with all products in the plate-mounting DSX range.



6 LOCKING DEVICE

A key locks the device in "Open" position during maintenance operations. Compatible with all products in the plate-mounting DSX range.



7 ELECTRICALLY-INSULATED DIVIDERS

Isolate the connection between each pole. Compatible with all products in the plate-mounting DSX range



TRANSFER SWITCHING EQUIPMENT

Manual supply inverters can also be equipped with:

- 3P or 4P bridging kits on the upstream or downstream terminals.



- Electrically-insulated dividers to avoid accidental contact between the terminals corresponding to the two power supply sources.



DSX switch-disconnectors and transfer switching equipment

└ rail mounting



Switch-disconnectors and transfer switching equipment equipped with a rotary direct handle. Front operated
Conform to IEC 60947-3 and IEC 60947-6-1

Ref.	Switch-disconnectors	
	Safety switches for on-load circuit breaking by isolation of the contacts Internal mechanism is independent from the velocity of handle rotation Double break type load switching with self-cleaning contacts by rapid make and break movements Category of use: AC23 A/B (415 V~), Padlockable handle in open position (Ø 6 mm padlock) Cage terminals Accept copper and aluminium cables For 3P+N version, add 1 additional pole (Ref. 424204/05/06/19/20/21) Can be equipped with up to 4 auxiliary contacts (Ref. 424208), 2 contacts on each side	
	Frame 1 - 63 A	
	Width: 1 module per pole	
3P	In	Number of modules
424000	32 A	3
424001	40 A	3
424002	63 A	3
	Frame 2 - 160 A	
	Width: 1.5 module per pole	
424003	100 A	4.5
424004	125 A	4.5
424005	160 A	4.5

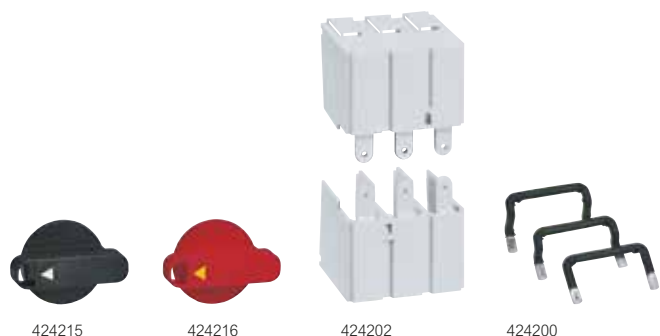
Ref.	Additional poles (neutral) for switch-disconnectors	
	To be clipped onto left or right side of a 3-pole switch-disconnectors Maximum 1 additional pole per switch	
	For frame 1 switch-disconnectors	
1P	In	Number of modules
424204	32 A	1
424205	40 A	1
424206	63 A	1
	For frame 2 switch-disconnectors	
424219	100 A	1.5
424220	125 A	1.5
424221	160 A	1.5

Ref.	Transfer switching equipment			
	Category of use: AC33 A/B (415 V~) Internal mechanism is independent from the velocity of handle rotation Padlockable handle in open position (Ø 6 mm padlock) Cage terminals Accept copper and aluminium cables Can be equipped with up to 4 auxiliary contacts (ref. 424208), 2 contacts on each side			
	Frame 1 - 63 A			
	Width: 1 module per pole			
	In	Position of the handle	Connection	Number of modules
3P	4P			
424100	424106	32 A	I - O - II	6 8
424101	424107	40 A	I - O - II	6 8
424102	424108	63 A	I - O - II	6 8
	Frame 2 - 160 A			
	Width: 1.5 module per pole			
424103	424109	100 A	I - O - II	9 12
424104	424146	125 A	I - O - II	9 12
424105	424147	160 A	I - O - II	9 12

Ref.	Auxiliary contacts (NO+NC)	
	For DSX switch-disconnectors and transfer switching equipment 5 A - 230 V~ Can be mounted on both sides of the switches Maximum 4 auxiliaries per switch (2 on each side) Width: 0.5 modules	
424208	Simultaneous auxiliary	Indicates the state of the contacts

DSX switch-disconnectors and transfer switching equipment

└ rail mounting version - accessories



Ref.	Rotary handles
	For front operation
	Direct handles for switch-disconnectors
424215	Standard (black)
424216	For emergency use (red)
	Direct handles for transfer switching equipment
424217	Standard (black)
424218	For emergency use (red)
	Vari-depth handles for switch-disconnectors and transfer switching equipment
	IP 55 external handles
	Comprising: connection rod, bracket, self-adhesive drilling template, mounting accessories and door lock mechanism
	Padlockable in open position (up to 3 padlocks Ø 8 mm)
424209	Standard (black)
424210	For emergency use (red/yellow)
	Sealable terminal shields - IP 30
	For DSX switch-disconnectors and transfer switching equipment
	Set of 2
	For frame 1
424203	For 1-pole switches
424202	For 3-pole switches
	For frame 2
424214	For 1-pole switches
424213	For 3-pole switches
	Bridging links for transfer switching equipment
	For frame 1
424200	For 3-pole switches. Set of 3
424201	For 4-pole switches. Set of 4
	For frame 2
424211	For 3-pole switches. Set of 3
424212	For 4-pole switches. Set of 4

DSX switch-disconnectors and transfer switching equipment

technical characteristics

■ Technical characteristics

Switch-disconnectors

	Frame 1 - 63 A			Frame 2 - 160 A					
	32	40	63	100	125	160			
Rated current In (A)	32	40	63	100	125	160			
Number of poles	3, 4			3, 4					
Rated insulation voltage Ui (V)	690			690					
Rated impulse withstand voltage Uimp (kV)	8			8					
Dielectric strength 50 Hz 1 min (kV)	6			6					
Rated operational voltage (AC) Ue (V)	690			690					
Rated operational voltage (DC) Ue (V)	250			250					
Category of use:	AC 20 A/B AC 21 A/B AC 22 A/B AC 23 A/B	415 V~	32	40	63	100	125	160	
			32	40	63	100	125	160	
			32	40	63	100	125	160	
			32	40	63	100	125	160	
	AC 20 A/B AC 21 A/B AC 22 A/B AC 23 A/B	690 V~	32	40	63	100	125	160	
			32	40	63	100	125	160	
			32	40	40	100	125	125	
	DC 20 A/B DC 21 A/B DC 22 A/B DC 23 A/B	250 V=	25	25	25	63	63	63	
			32	40	63	100	125	160	
			32	40	63	100	125	160	
				32	40	40	100	125	125
				25	25	25	63	63	63
Short circuit making capacity Icm (kA)	2,1			4,5					
Maximal withstand peak current (while protection breaks short circuit) (kA)	12			14					
Short time withstand current (1 s) Icw (kA)	1,5			3,0					
Mechanical endurance (No. of operations)	20000			15000					
Electrical endurance (No. of operations)	2500			2500					
Rated Ambient temperature Ta (°C)	40/50			40/50					
Temperature Withstand range (°C)	-50/+70			-50/+70					
Terminal type	Cage			Cage					
Maximal copper cable mm ²	35 / 50			70 / 95					

Transfer switching equipment

	Frame 1 - 63 A			Frame 2 - 160 A					
	32	40	63	100	125	160			
Rated current In (A)	32	40	63	100	125	160			
Number of poles	3, 4			3, 4					
Rated insulation voltage Ui (V)	690			690					
Rated impulse withstand voltage Uimp (kV)	8			8					
Dielectric strength 50 Hz 1 min (kV)	6			6					
Rated operational voltage (AC) Ue (V)	690			690					
Rated operational voltage (DC) Ue (V)	250			250					
Category of use:	AC 20 A/B AC 21 A/B AC 22 A/B AC 23 A/B	415 V~	32	40	63	100	125	160	
			32	40	63	100	125	160	
			32	40	63	100	125	160	
			32	40	63	100	125	160	
	AC 20 A/B AC 21 A/B AC 22 A/B AC 23 A/B	690 V~	32	40	63	100	125	160	
			32	40	63	100	125	160	
			32	40	40	100	125	125	
	DC 20 A/B DC 21 A/B DC 22 A/B DC 23 A/B	250 V=	25	25	25	63	63	63	
			32	40	63	100	125	160	
			32	40	63	100	125	160	
				32	40	40	100	125	125
				25	25	25	63	63	63
Short circuit making capacity Icm (kA)	2,1			4,5					
Maximal withstand peak current (while protection breaks short circuit) (kA)	12			14					
Short time withstand current (1 s) Icw (kA)	1,5			3,0					
Mechanical endurance (No. of operations)	20000			15000					
Electrical endurance (No. of operations)	2500			2500					
Rated Ambient temperature Ta (°C)	40/50			40/50					
Temperature Withstand range (°C)	-50/+70			-50/+70					
Terminal type	Cage			Cage					
Maximal copper cable mm ²	35 / 50			70 / 95					

DSX switch-disconnectors and transfer switching equipment

fixing on plate



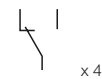
Switch-disconnectors and transfer switching equipment to be equipped with a rotary direct or vari-depth handle. Front operated
Conform to IEC 60947-3 and IEC 60947-6-1

Ref.	Switch-disconnectors	
	<p>Safety switch-disconnectors for on-load circuit breaking by visible isolation and positive actions of the contacts Category of use: AC23 A/B (415 V~), Padlockable in open position (up to 3 padlocks Ø 8 mm) Integrated pop-up indicators to signal the state of the contacts ("ON" when indicator is visible). Connection with lugs: copper and aluminium cables Can be equipped with terminal shields, insulated shields (phase barriers) and key lock in open position (ref. 424234) Accept up to 2 auxiliary contacts (1 simultaneous auxiliary contact and 1 early make/break auxiliary contact)</p>	
	<p>Frame 1 - 160 A</p>	
	In	
3P	4P	
424010	424013	100 A
424011	424014	125 A
424012	424015	160 A
	<p>Frame 2 - 320 A</p>	
424020	424023	200 A
424021	424024	250 A
424022	424025	320 A

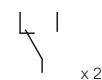
		Transfer switching equipment	
		<p>Safety transfer switching equipment for on-load circuit breaking by visible isolation and positive actions of the contacts Category of use: AC23 A/B (415 V~) Padlockable in open position (up to 3 padlocks Ø 8 mm) Integrated pop-up indicators to signal the state of the contacts. Connection with lugs: copper and aluminium cables Can be equipped with terminal shields, insulated shields (phase barriers), inter source barriers, bridging links and key lock in open position (ref. 424234) Accept up to 4 auxiliary contacts (2 simultaneous auxiliary contacts and 2 early Make/Break auxiliary contacts)</p>	
		<p>Frame 1 - 160 A</p>	
	In	Position of the handle	Connection
3P	4P		
424110	424113	I - O - II	
424111	424114	I - O - II	
424112	424115	I - O - II	
		<p>Frame 2 - 320 A</p>	
424120	424123	I - O - II	
424121	424124	I - O - II	
424122	424125	I - O - II	

Ref.	Auxiliary contacts (NO+NC)	
	<p>For DSX switch-disconnectors and transfer switching equipment 5 A - 230 VA Maximum number of auxiliaries: - Switch-disconnectors: 1 simultaneous auxiliary contact + 1 early make/break auxiliary contact - Transfer switching equipment: 2 simultaneous auxiliary contacts + 2 early make/break auxiliary contacts</p>	
424245	<p>Simultaneous auxiliary 4(NO+NC) Indicates the state of the contacts Dimensions (W x H x D): 12 x 69 x 60.5 mm</p>	
424244	<p>Early Make/Break auxiliary 1 early make (NO+NC) 1 early break (NO+NC) Indicates the position of the handle</p>	

Connection



x 4



x 2

		Rotary handles
		<p>For DSX switch-disconnectors and transfer switching equipment For front operation Padlockable in open position (up to 3 padlocks Ø 8mm)</p>
		<p>Direct handles Standard (black) For emergency use (red/yellow)</p>
424230		
424232		
		<p>Vari-depth handles IP 55 external handles Comprising: connection rod, coupler, self-adhesive drilling template, mounting accessories and door lock mechanism</p>
424231		
424233		

DSX switch-disconnectors and transfer switching equipment

fixing on plate version - accessories



Ref.	Locking accessory
424234	Direct key lock Comprising: keylock assembly and Ronis type key (random)
424246 424247	Sealable terminal shields - IP40 For DSX switch-disconnectors and transfer switching equipment For frame 1 For 3-pole switches For 4-pole switches
424235 424236	For frame 2 For 3-pole switches For 4-pole switches
424250 424251	Insulated shields (phase barriers) For DSX switch-disconnectors and transfer switching equipment For isolating the connections between each pole Flexible thermoplastic - PVC For frame 1 For 3-pole switches. Set of 4 For 4-pole switches. Set of 6
424242 424243	For frame 2 For 3-pole switches. Set of 4 For 4-pole switches. Set of 6
424252 424239	Inter source barriers for transfer switching equipment Source separators to prevent accidental contacts For frame 1 For frame 2
424253 424254	Spreaders For DSX switch-disconnectors and transfer switching equipment Incoming/outgoing spreaders supplied with U clamps For easier connection of copper and aluminium cables For frame 1 For 3-pole switches. Set of 3 For 4-pole switches. Set of 4
424237 424238	For frame 2 For 3-pole switches. Set of 3 For 4-pole switches. Set of 4
424248 424249	Bridging links for transfer switching equipment For frame 1 For 3-pole switches. Set of 3 For 4-pole switches. Set of 4
424240 424241	For frame 2 For 3-pole switches. Set of 3 For 4-pole switches. Set of 4

DSX switch-disconnectors and transfer switching equipment

technical characteristics

■ Technical characteristics								
Switch-disconnectors								
	Frame 1 - 160 A			Frame 2 - 320 A				
Rated current I _n (A)	100	125	160	200	250	320		
Number of poles	3, 4			3, 4				
Rated insulation voltage U _i (V)	1000			1000				
Rated impulse withstand voltage U _{imp} (kV)	8			12				
Dielectric strength 50 Hz 1 min (kV)	8			10				
Rated operational voltage (AC) U _e (V)	690			690				
Rated operational voltage (DC) U _e (V)	250			250				
Category of use:	415 V~	AC 20 A/B	100	125	160	200	250	320
		AC 21 A/B	100	125	160	200	250	320
		AC 22 A/B	100	125	160	200	250	320
		AC 23 A/B	100	125	160	200	250	320
	690 V~	AC 20 A/B	100	125	160	200	250	320
		AC 21 A/B	100	125	160	200	250	320
		AC 22 A/B	100	125	160	200	250	320
		AC 23 A/B	100	125	125	200	250	250
	250 V=	DC 20 A/B	100	125	160	200	250	320
		DC 21 A/B	100	125	160	200	250	320
		DC 22 A/B	100	125	160	200	250	320
		DC 23 A/B	100	125	125	200	250	250
Short circuit making capacity I _{cm} (kA)	20			35				
Maximal withstand peak current (while protection breaks short circuit) (kA)	27			40				
Short time withstand current (1 s) I _{cw} (kA)	8			15				
Mechanical endurance (No. of operations)	15000			15000				
Electrical endurance (No. of operations)	2500			2500				
Rated Ambient temperature T _a (°C)	40/50			40/50				
Temperature Withstand range (°C)	-50/+70			-50/+70				
Terminal type	Extended			Extended				
Maximum copper lug /bar connection (mm)	25	50	70	95	120	185		
Maximum aluminium lug /bar connection (mm)	50	70	120	150	185	240 2x120		
Transfer switching equipment								
	Frame 1 - 160 A			Frame 2 - 320 A				
Rated current I _n (A)	100	125	160	200	250	320		
Number of poles	3, 4			3, 4				
Rated insulation voltage U _i (V)	1000			1000				
Rated impulse withstand voltage U _{imp} (kV)	8			12				
Dielectric strength 50 Hz 1 min (kV)	8			10				
Rated operational voltage (AC) U _e (V)	690			690				
Rated operational voltage (DC) U _e (V)	250			250				
Category of use:	415 V~	AC 20 A/B	100	125	160	200	250	320
		AC 21 A/B	100	125	160	200	250	320
		AC 22 A/B	100	125	160	200	250	320
		AC 23 A/B	100	125	160	200	250	320
	690 V~	AC 20 A/B	100	125	160	200	250	320
		AC 21 A/B	100	125	160	200	250	320
		AC 22 A/B	100	125	160	200	250	320
		AC 23 A/B	100	125	125	200	250	250
	250 V=	DC 20 A/B	100	125	160	200	250	320
		DC 21 A/B	100	125	160	200	250	320
		DC 22 A/B	100	125	160	200	250	320
		DC 23 A/B	100	125	125	200	250	250
Short circuit making capacity I _{cm} (kA)	20			35				
Maximal withstand peak current (while protection breaks short circuit) (kA)	27			40				
Short time withstand current (1 s) I _{cw} (kA)	8			15				
Mechanical endurance (No. of operations)	15000			15000				
Electrical endurance (No. of operations)	2500			2500				
Rated Ambient temperature T _a (°C)	40/50			40/50				
Temperature Withstand range (°C)	-50/+70			-50/+70				
Terminal type	Extended			Extended				
Maximum copper lug /bar connection (mm)	25	50	70	95	120	185		
Maximum aluminium lug /bar connection (mm)	50	70	120	150	185	240 2x120		

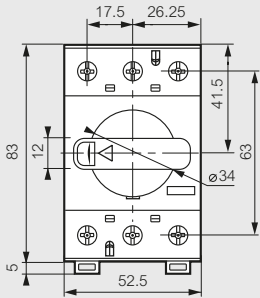
DSX switch-disconnectors and transfer switching equipment

└ rail mounting

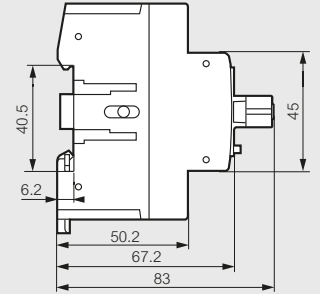
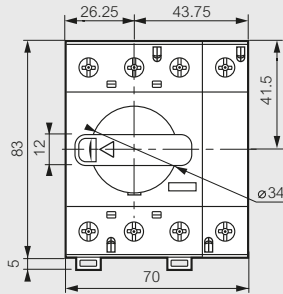
■ Dimensions (mm)

Switch-disconnectors

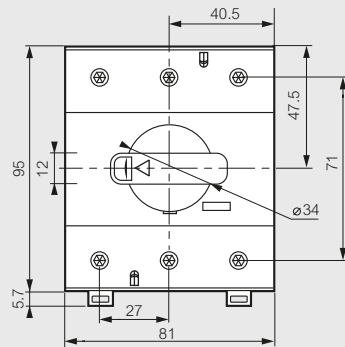
Frame 1, 3-pole ref. 424000/01/02



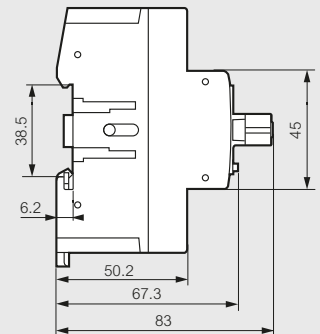
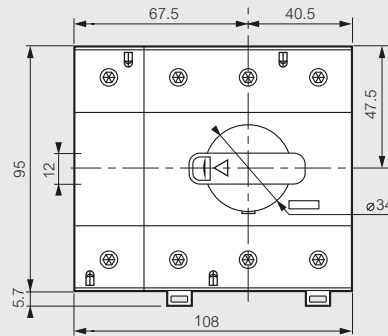
Frame 1, 3P+N with ref. 424204/05/06



Frame 2, 3-pole ref. 424003/04/05

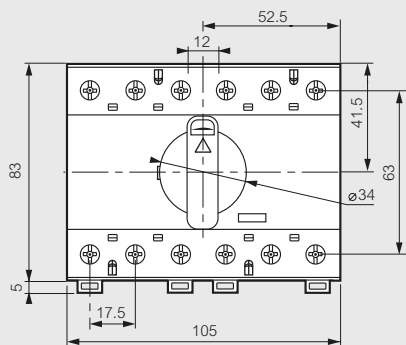


Frame 2, 3P+N with ref. 424219/20/21

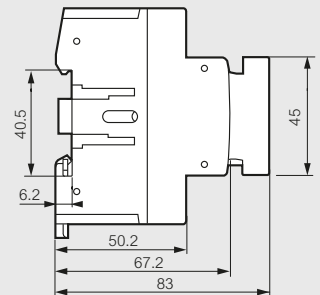
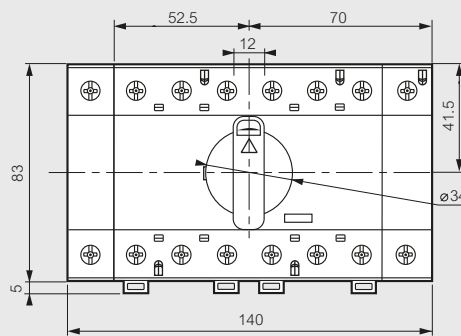


Transfer switching equipment

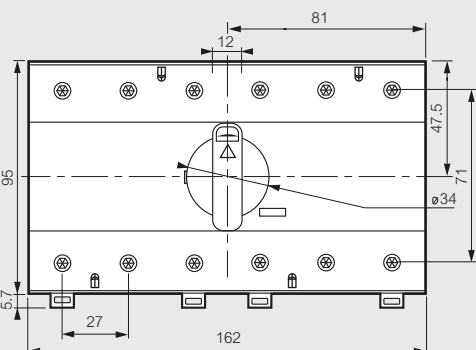
Frame 1, 3-pole, ref. 424100/01/02



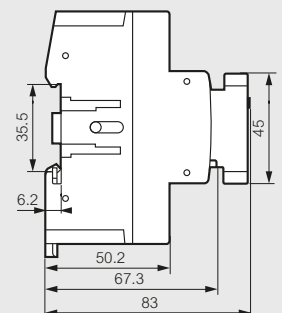
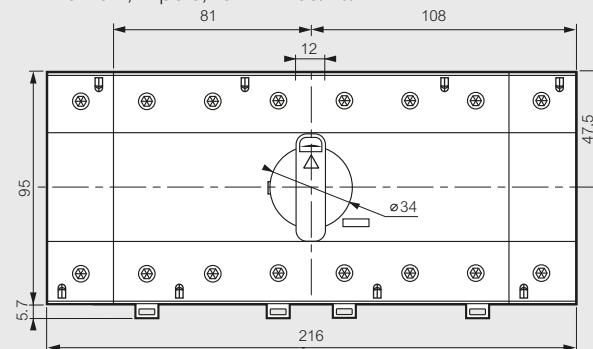
Frame 1, 4-pole, ref. 424106/07/08



Frame 2, 3-pole, ref. 424103/04/05



Frame 2, 4-pole, ref. 424109/46/47

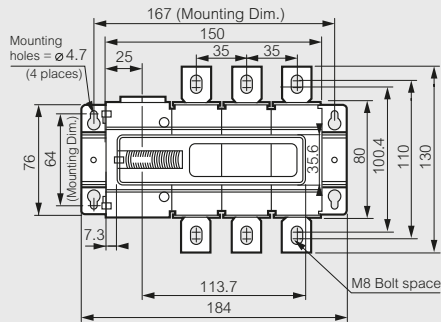


DSX switch-disconnectors and transfer switching equipment fixing on plate

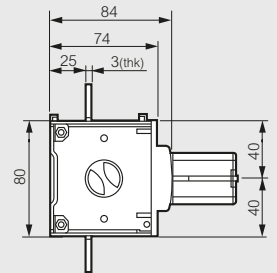
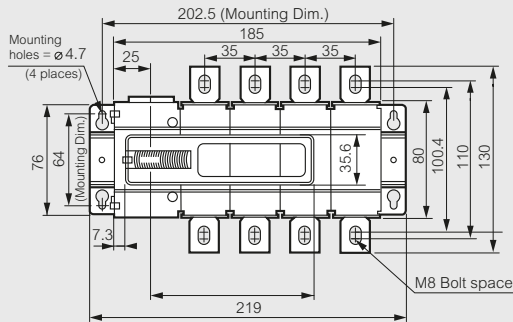
■ Dimensions (mm)

Switch-disconnectors

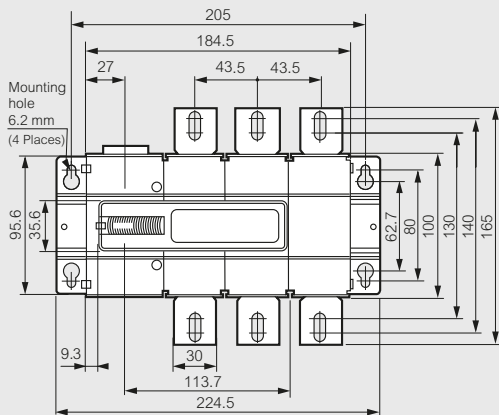
Frame 1, 3-pole ref. 424010/11/12



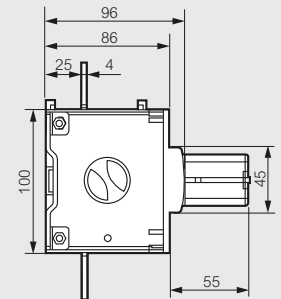
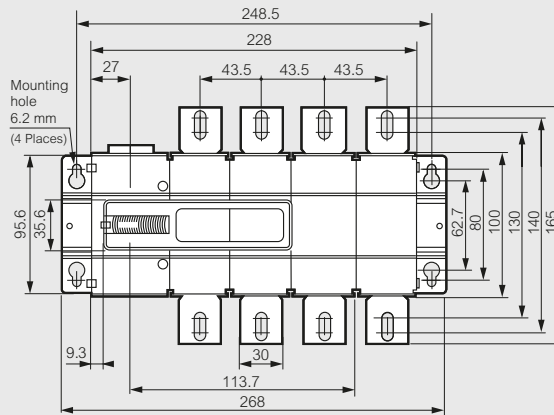
Frame 1, 4P ref. 424013/14/15



Frame 2, 3-pole ref. 424020/21/22

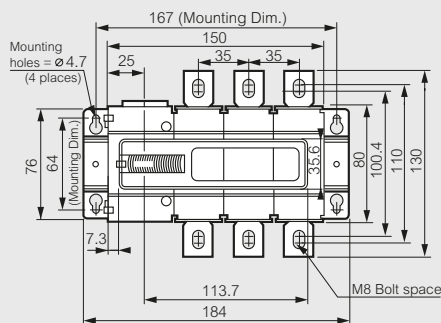


Frame 2, 4P ref. 424023/24/25

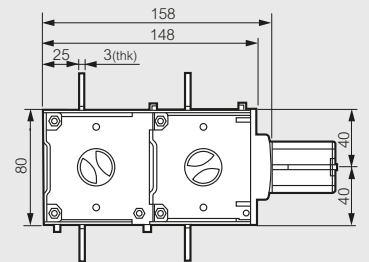
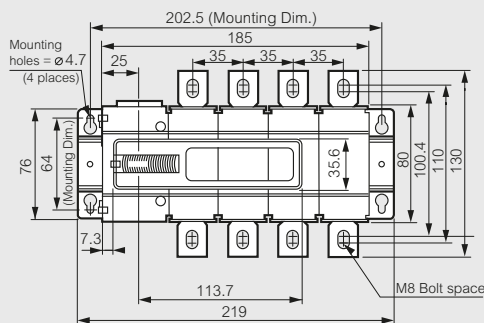


Transfer switching equipment

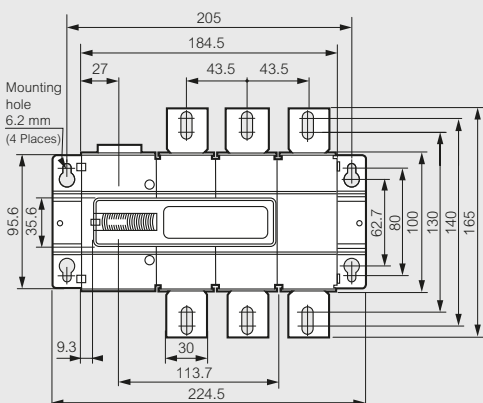
Frame 1, 3-pole, ref. 424110/11/12



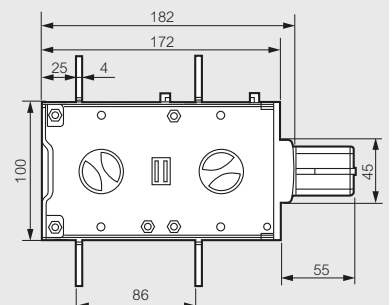
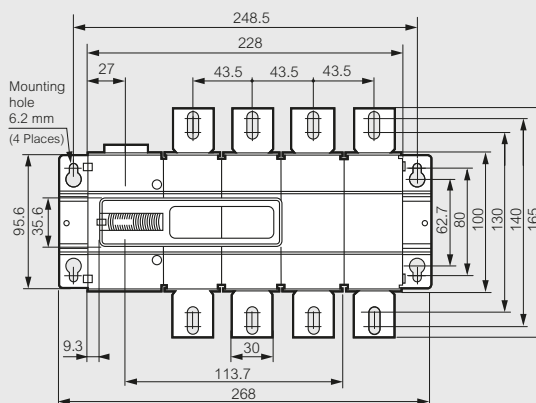
Frame 1, 4-pole, ref. 424113/14/15



Frame 2, 3-pole, ref. 424120/21/22



Frame 2, 4-pole, ref. 424123/24/25



In accordance with its policy of continual improvement, the company reserves the right to modify the characteristics and design of its products without warning. All illustrations, descriptions, dimensions, and weights indicated in this catalogue are given as a guide only and the company cannot be held liable for their accuracy.



FOLLOW US ALSO ON

- @ www.legrand.be - www.bticino.be
-  www.youtube.com/legrandgroupbelgium
-  www.facebook.com/LegrandGroupBelgium
-  www.linkedin.com/company/legrandgroupbelgium
-  www.instagram.com/legrand_belgium/



Legrand Group Belgium nv
Hector Henneaulaan 366
1930 Zaventem
Tel.: +32 (0)2 719 17 11
E-mail: info.belux@legrand.com