

Marlo Ramp

LED

Marlo ramp was specifically designed as a lighting solution for retail premises. It is ideal for supermarkets and other store and warehouse premises that require optimal lighting system properties with regard to general lighting, highlighting, and glare. Marlo ramp offers the perfect solution for various types of lighting projects.



"Versatile, high-quality optics."



EnstoNET connectors



Marlo

Structure

- › Body, white powder coated aluminium
- › End caps - shockproof, heat and UV resistant white polycarbonate
- › Lens optics PC or acrylic (3R)
- › Optics:
 - Wide beam angle (WB/90°)
 - Medium beam angle (MB/60°)
 - Rack beam optics (O)
 - Shelf optics (DAS)
- › DALI and basic models
- › Lumen output and length: See the table below
- › 4000 K, power factor 0,98, Ra>80
- › Ambient temperature range -20 °C to 30 °C
- › LED-luminaire lifespan 100000 h (L70B50), T_a = 25 °C

Mounting

- › Ceiling mounting with AMJK1 spring brackets
- › Suspension rail (MEK) with AMJK2 spring brackets
- › End supports with a stepless adjustment system (AMRPK, AMRPK500 or AMRPK330)
 - End supports with a stepless adjustment system which are designed for Marlo ramp (MAR-RP-K05M2, MAR-RPK05M4, MAR-RPK05M6, MAR-RPK1M2, MAR-RPK1M4, MAR-RPK1M6)
- › Made to order: Through wiring sets for different lengths

Made to order

- › With connection lead
- › More optics options
- › EnstoNET connectors (note: IP20)
- › 3000 K models
- › Project-specific luminous flux packages
- › Sensor solutions
- › Through wiring set
- › Customized spring brackets for lighting suspension rails

E number	Type	Product name	Output	Kg	Length	Light distribution	Control	Luminous flux
Marlo ramp - Wide beam angle (WB)								
43 605 53	MAR24WB	MAR24WB LED IP23 82W/840	82W	5,6	2336	WB		11000 lm
43 605 56	MAR24WBED	MAR24WBED LED IP23 82W/840	82W	5,6	2336	WB	DALI	11000 lm
43 605 63	MAR30WB	MAR30WB LED IP23 102W/840	102W	6,7	2910	WB		14700 lm
43 605 65	MAR30WBED	MAR30WBED LED IP23 102W/840	102W	6,7	2910	WB	DALI	14700 lm
43 606 53	MAR243RWB	MAR243RWB LED IP23 77W/840	77W	5,9	2336	3R WB		11680 lm
43 606 55	MAR243RWBED	MAR243RWBED IP23 77W/840 DA	77W	5,9	2336	3R WB	DALI	11680 lm
43 600 57	MAR243RWBHO	MAR243RWBHO LED IP23 95W/840	95W	5,9	2336	3R WB		13900 lm
43 600 54	MAR243RWBEDHO	MAR243RWBEDHO LED IP23 95W/840 DA	95W	5,9	2336	3R WB	DALI	13900 lm
43 606 67	MAR303RWB	MAR303RWB LED IP23 95W/840	95W	7,0	2910	3R WB		14600 lm
43 606 68	MAR303RWBED	MAR303RWBED IP23 95W/840 DA	95W	7,0	2910	3R WB	DALI	14600 lm
43 600 36	MAR303RWBHO	MAR303RWBHO LED IP23 118W/840	118W	7,0	2910	3R WB		17300 lm
43 600 96	MAR303RWBEDHO	MAR303RWBEDHO LED IP23 118W/840 DA	118W	7,0	2910	3R WB	DALI	17300 lm
Marlo ramp - Medium beam angle (MB)								
43 605 47	MAR24MB	MAR24MB LED IP23 82W/840	82W	5,6	2336	MB		11880 lm
43 605 48	MAR24MBED	MAR24MBED LED IP23 82W/840	82W	5,6	2336	MB	DALI	11880 lm
43 605 57	MAR30MB	MAR30MB LED IP23 102W/840	102W	6,7	2910	MB		14860 lm
43 605 59	MAR30MBED	MAR30MBED LED IP23 102W/840	102W	6,7	2910	MB	DALI	14860 lm
43 606 44	MAR243RMB	MAR243RMB LED IP23 77W/840	77W	5,9	2336	3R MB		11680 lm
43 606 46	MAR243RMBED	MAR243RMBED IP23 77W/840 DA	77W	5,9	2336	3R MB	DALI	11680 lm
43 600 42	MAR243RMBHO	MAR243RMBHO LED IP23 95W/840	95W	5,9	2336	3R MB		14100 lm
43 601 59	MAR243RMBEDHO	MAR243RMBEDHO LED IP23 95W/840 DA	95W	5,9	2336	3R MB	DALI	14100 lm
43 606 59	MAR303RMB	MAR303RMB LED IP23 95W/840	95W	7,0	2910	3R MB		14760 lm
43 606 61	MAR303RMBED	MAR303RMBED IP23 95W/840 DA	95W	7,0	2910	3R MB	DALI	14760 lm
43 600 87	MAR303RMBHO	MAR303RMBHO LED IP23 118W/840	118W	7,0	2910	3R MB		17600 lm
43 600 84	MAR303RMBEDHO	MAR303RMBEDHO LED IP23 118W/840 DA	118W	7,0	2910	3R MB	DALI	17600 lm

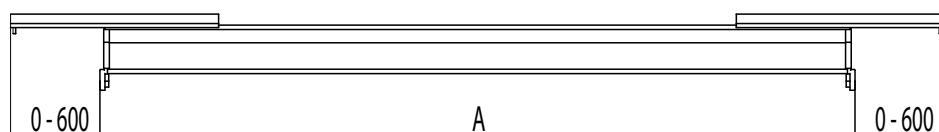


E number	Type	Product name	Output	Kg	Length	Light distribution	Control	Luminous flux
Marlo ramp - Rack beam optics (O)								
43 605 50	MAR240	MAR240 LED IP23 82W/840	82W	5,6	2336	0		11560 lm
43 605 51	MAR240ED	MAR240ED LED IP23 82W/840	82W	5,6	2336	0	DALI	11560 lm
43 605 60	MAR300	MAR300 LED IP23 102W/840	102W	6,7	2910	0		14460 lm
43 605 62	MAR300ED	MAR300ED LED IP23 102W/840	102W	6,7	2910	0	DALI	14460 lm
43 606 50	MAR243RO	MAR243RO LED IP23 77W/840	77W	5,9	2336	3R O		11600 lm
43 606 52	MAR243ROED	MAR243ROED LED IP23 77W/840 DA	77W	5,9	2336	3R O	DALI	11600 lm
43 600 51	MAR243ROHO	MAR243ROHO LED IP23 95W/840	95W	5,9	2336	3R O		14300 lm
43 600 48	MAR243ROEDHO	MAR243ROEDHO LED IP23 95W/840 DA	95W	5,9	2336	3R O	DALI	14300 lm
43 606 64	MAR303RO	MAR303RO LED IP23 95W/840	95W	7,0	2910	3R O		14980 lm
43 606 65	MAR303ROED	MAR303ROED LED IP23 95W/840 DA	95W	7,0	2910	3R O	DALI	14980 lm
43 600 93	MAR303ROHO	MAR303ROHO LED IP23 118W/840	118W	7,0	2910	3R O		17800 lm
43 600 90	MAR303ROEDHO	MAR303ROEDHO LED IP23 118W/840 DA	118W	7,0	2910	3R O	DALI	17800 lm

Marlo ramp - Shelf optics (DAS)								
43 605 81	MAR24DAS	MAR24DAS LED IP23 82W/840	82W	5,6	2336	DAS		11720 lm
43 605 83	MAR24DASED	MAR24DASED LED IP23 82W/840	82W	5,6	2336	DAS	DALI	11720 lm
43 605 84	MAR30DAS	MAR30DAS LED IP23 102W/840	102W	6,7	2910	DAS		14660 lm
43 605 86	MAR30DASED	MAR30DASED LED IP23 102W/840	102W	6,7	2910	DAS	DALI	14660 lm
43 606 41	MAR243RDAS	MAR243RDAS LED IP23 77W/840	77W	5,9	2336	3R DAS		11760 lm
43 606 43	MAR243RDASED	MAR243RDASED IP23 77W/840 DA	77W	5,9	2336	3R DAS	DALI	11760 lm
43 601 56	MAR243RDASHO	MAR243RDASHO LED IP23 95W/840	95W	5,9	2336	3R DAS		14500 lm
43 600 99	MAR243RDASEDHO	MAR243RDASEDHO LED IP23 95W/840 DA	95W	5,9	2336	3R DAS	DALI	14500 lm
43 606 56	MAR303RDAS	MAR303RDAS LED IP23 95W/840	95W	7,0	2910	3R DAS		15200 lm
43 606 58	MAR303RDASED	MAR303RDASED IP23 95W/840 DA	95W	7,0	2910	3R DAS	DALI	15200 lm
43 600 81	MAR303RDASHO	MAR303RDASHO LED IP23 118W/840	118W	7,0	2910	3R DAS		18200 lm
43 600 78	MAR303RDASEDHO	MAR303RDASEDHO LED IP23 118W/840 DA	118W	7,0	2910	3R DAS	DALI	18200 lm

Mounting accessories								
43 641 70	AMJK1	AMJK1 SPRING BRACKET PAIR				Spring bracket pair		
43 641 72	AMJK2	AMJK2 SPRING BRACKET PAIR				Spring bracket pair for suspension rail mounting, rail width 70 mm		
42 653 82	AMJK2V	AMJK2V SPRING BRACKET PAIR, WHITE				Spring bracket pair for suspension rail mounting, rail width 70 mm		
42 653 05	AMJK3	AMJK3 SPRING BRACKET PAIR				Spring bracket pair for suspension rail mounting, rail width 110 mm		
43 600 83	AMJK3V	AMJK3V SPRING BRACKET PAIR, WHITE				Spring bracket pair for suspension rail mounting, rail width 110 mm		
43 614 41	AMJKSH	AMJK SUSPENSION HOOK KIT				Suspension hook kit		
43 641 76	AMRPK	AMRPK RAMP MOUNT.PAIR 1M		1,2		Steplessly adjustable - max 1200mm* white		
42 653 80	AMRPK500	AMRPK500 RAMP MOUNT.PAIR 0,5M		0,5		Steplessly adjustable - max 630 mm* white		
42 653 79	AMRPK330	AMRPK330 RAMP MOUNT.PAIR 0,3M		0,3		Steplessly adjustable - max 410 mm* white		
43 601 62	MAR-RPK05M2	MAR-RPK05M2 RAMP MOUNT.PAIR 0.5M		1,0		Steplessly adjustable - max. 700 mm*, white		
43 601 65	MAR-RPK05M4	MAR-RPK05M4 RAMP MOUNT.PAIR 0.5M		1,0		Steplessly adjustable - max. 700 mm*, white		
43 601 68	MAR-RPK05M6	MAR-RPK05M6 RAMP MOUNT.PAIR 0.5M		1,0		Steplessly adjustable - max. 700 mm*, white		
43 601 71	MAR-RPK1M2	MAR-RPK1M2 RAMP MOUNT.PAIR 1M		1,8		Steplessly adjustable - max. 1400 mm*, white		
43 601 74	MAR-RPK1M4	MAR-RPK1M4 RAMP MOUNT.PAIR 1M		1,8		Steplessly adjustable - max. 1400 mm*, white		
43 601 77	MAR-RPK1M6	MAR-RPK1M6 RAMP MOUNT.PAIR 1M		1,8		Steplessly adjustable - max. 1400 mm*, white		

* Max. end support suspension length = the length of the luminaire + max. adjustment F.ex MAR30WB+AMRPK (pair); 2910 mm + 1200 mm = 4110 mm

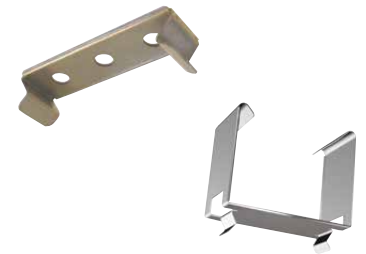
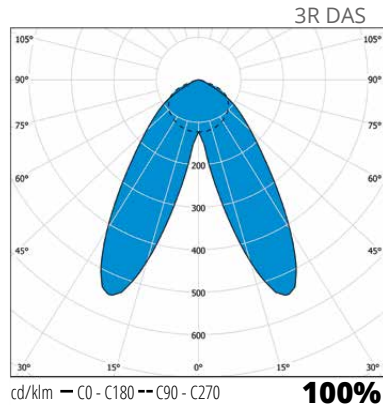
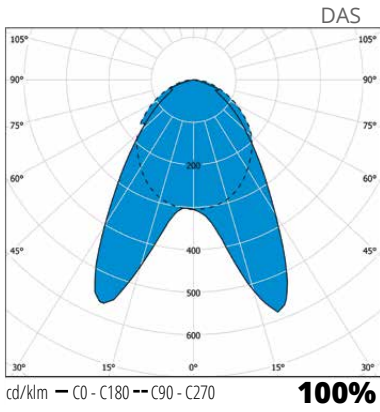
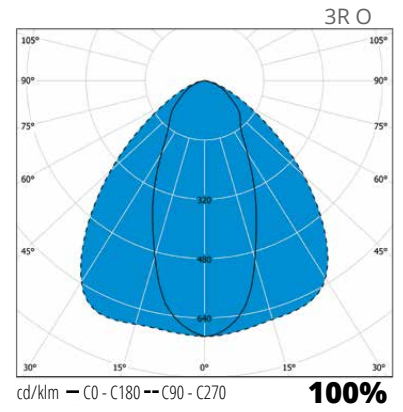
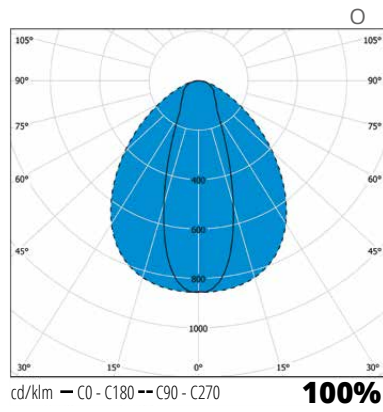
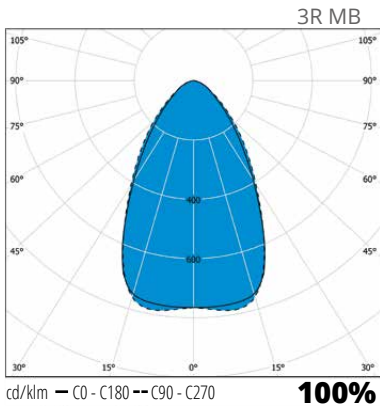
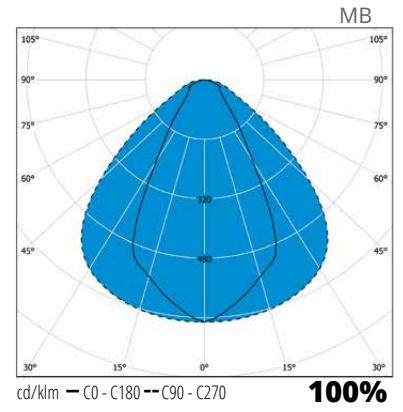
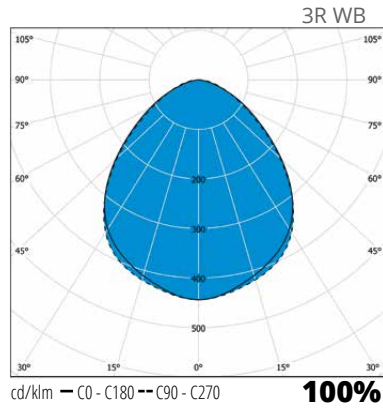
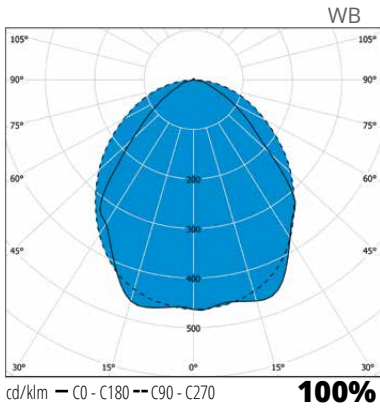


A = The length of the luminaire

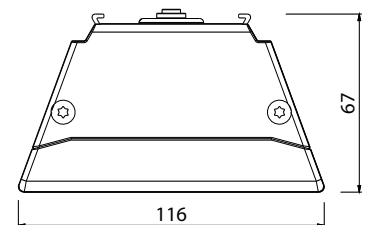
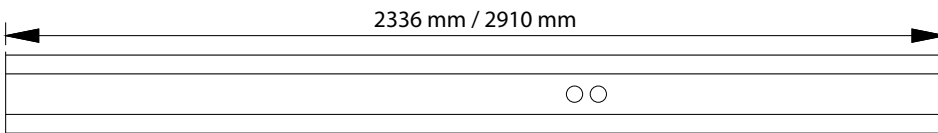
AMRPK end support adjustment / one end
 AMRPK 0-600 mm
 AMRPK500 0-315 mm
 AMRPK330 0-205 mm

MAR-RPK end support adjustment / one end
 MAR-RPK1M 0-700 mm
 MAR-RPK05M 0-350 mm

Luminaires per miniature circuit breaker	B10	B16	C10	C16
MAR24...	13	21	22	36
MAR24...ED	11	18	19	31
MAR30...	11	18	18	30
MAR30...ED	10	16	16	27
MAR243...	11	18	18	30
MAR243...ED	10	16	16	27
MAR303...	11	18	18	30
MAR303...ED	10	16	16	27

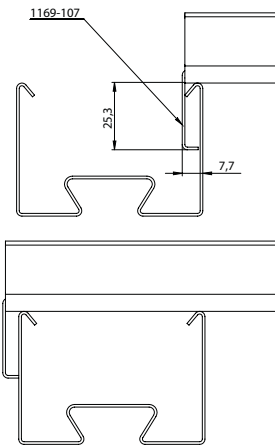


Spring brackets AMJK1 and AMJK2



MARLO RAMP END SUPPORTS

End support with standard bracket

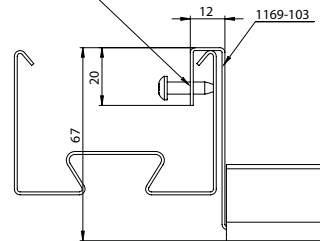


AMRPK end support with standard bracket

End support + bracket 2



Can be fastened by screw
(Do not include to the delivery)

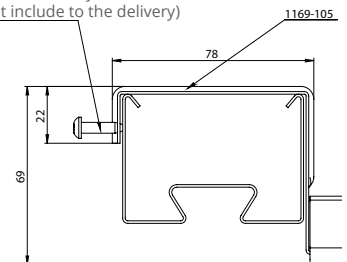


AMRPK end support with lower bracket.
Can be fastened with screw or by pressing together (to be ordered separately).

End support + bracket 4

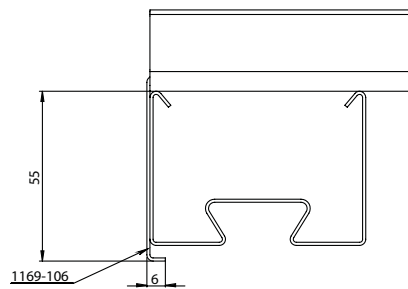


Can be fastened by screw
(Do not include to the delivery)

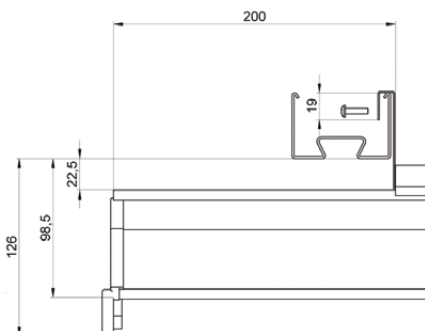


AMRPK end support with high bracket
(to be ordered separately)

End support + bracket 5



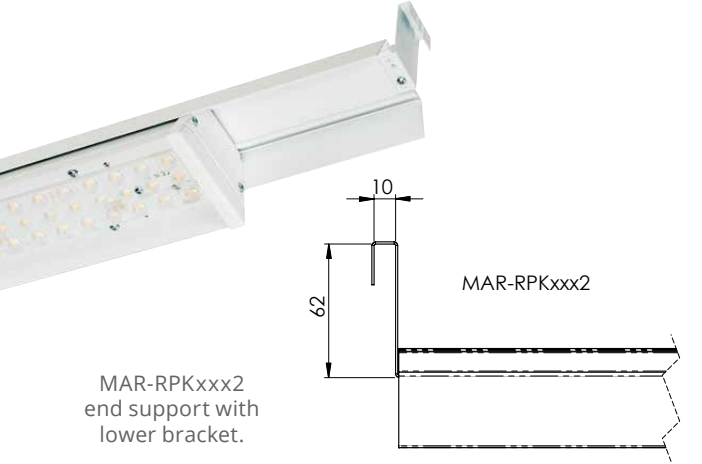
AMRPK end support and lower bracket which can be fastened by screw or by pressing together must be ordered separately. With the lower bracket the ramp luminaires installed between the lighting suspension rails can be positioned on the same level as luminaires installed to the lighting suspension rail with AMJK2 spring brackets.



When the distance between the lighting suspension rails is shorter than the length of the luminaire (e.g. renovation project), the mounting of ramp can be done with lower bracket.

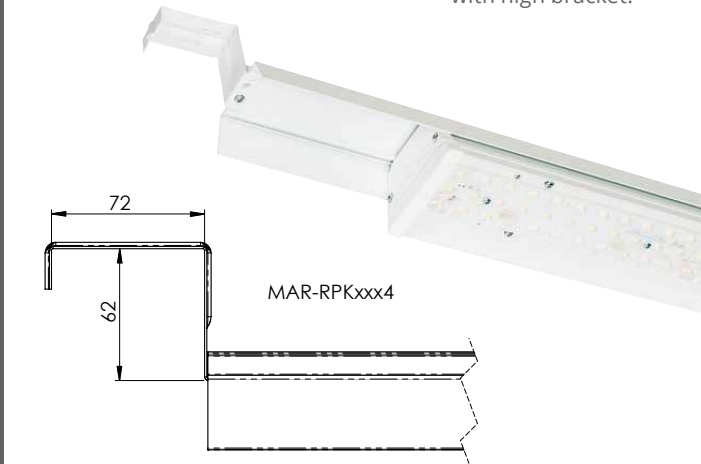
MARLO RAMP END SUPPORTS

End support + bracket 2



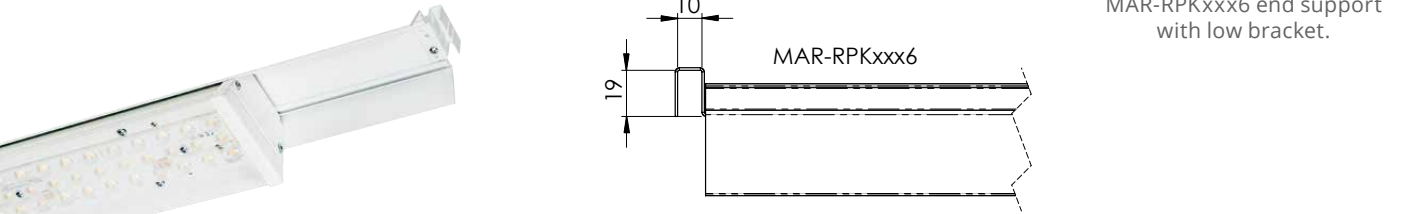
MAR-RPKxxx2
end support with
lower bracket.

End support + bracket 4



MAR-RPKxxx4 end support
with high bracket.

End support + bracket 6



MAR-RPKxxx6
end support
with low bracket.

