

Taso

Ensto Tupa panel heaters with connection box

Taso heaters, which belong to Ensto's Tupa range, meet the Ecodesign requirements. These new heaters are equipped with smart electronic thermostats. The basic Taso heater is suitable for residential properties, including holiday homes.



Energy-efficiency

Heaters respond quickly to temperature changes caused by other heat sources. Because they heat room air rather than building structures, they achieve nearly 100% efficiency.

Smart control

The Ensto Heat Control application allows you to control Ensto heating systems with a mobile device. With a few clicks the temperature can be amended, and adjustments can be made for holidays and calendar programs.

Safety

Thanks to their low surface temperature and overheating-protection, all Ensto heaters are safe to use.



"A basic heater for residential properties, including holiday homes."



TASO5-BT



TASO8-BT



Structure

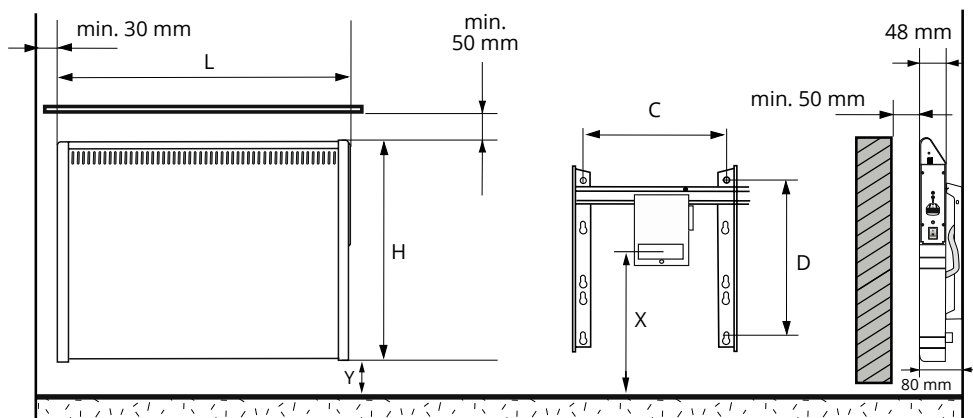
- ▶ A combination heater with an electronic thermostat (adjustment range of 5 to 30 °C) and a connection box
- ▶ Double-insulated
- ▶ Extremely accurate (+/-0.1°C) and completely silent intelligent thermostat that can be controlled with Ensto's Heat Control application (Android and iOS)
- ▶ External temperature changes (controlled via the Ensto Heat Control application)
- ▶ Master/slave function
- ▶ Also available without a thermostat (slave heater)
- ▶ Fault detection for the room sensor
- ▶ Standby consumption <0.5 W
- ▶ Degree of protection IP20
- ▶ Colour RAL 9002

Installation

- ▶ Fixed installation
 - Wall bracket
 - Connection box

Ensto Heat Control application

- ▶ Temperature management
- ▶ Calendar programs
 - Set a required temperature and starting time
- ▶ Holiday periods
 - Longer period temperature changes
- ▶ Boost
 - Temporary temperature change
- ▶ Schedule management
 - Day-to-day with six temperature change events
- ▶ Reduce energy costs (energy consumption monitoring)
 - Weekly and annual energy consumption
 - Weekly temperature monitoring
- ▶ Wireless control of a parallel heater
 - Max 10 heaters



Type	GTIN	Power	Length L (mm)	Height H (mm)	Wall bracket			
					C (mm)	D (mm)	X (mm)	Y (mm)
Taso heaters								
TASO2-BT	6438100339210	200W	300	400	100	280	75...200	70 (min. 50)
TASO3-BT	6438100339241	350W	500	400	225	280	75...200	70 (min. 50)
TASO5-BT	6438100339258	550W	800	400	300	280	75...200	70 (min. 50)
TASO8-BT	6438100339265	800W	1100	400	600	280	75...200	70 (min. 50)
TASO10-BT	6438100339234	1000W	1370	400	600	280	75...200	70 (min. 50)
TASO12-BT	6438100339227	1200W	1670	400	1200	280	75...200	70 (min. 50)

Taso parallel heaters								
TASO3.0	6410081272502	350W/o	500	400	225	280	75...200	70 (min. 50)
TASO5.0	6410081272519	550W/o	800	400	300	280	75...200	70 (min. 50)
TASO8.0	6410081272526	800W/o	1100	400	600	280	75...200	70 (min. 50)
TASO10.0	6410081272533	1000W/o	1370	400	600	280	75...200	70 (min. 50)

Power/W	Heated area (m ²) with a rated power of			Heated volume (m ³)		
	15W (m ³)	25W (m ³)	35W (m ³)	15W (m ³)	25W (m ³)	35W (m ³)
200	5	3	2	13	8	6
350	9	6	4	23	14	10
550	15	9	6	37	22	16
800	21	13	9	53	32	23
1000	27	16	11	67	40	29
1200	32	19	14	80	48	34