

Ensto Pro

EV charging with maximum durability.

The intelligent and durable Ensto Pro is a future-proof solution designed to deliver reliable EV charging for any business, in any environment.



"Enjoy a user-friendly experience."



Your business, your pleasure

Ensto Pro will serve your business needs everywhere



“Perfect for retailers, fleets, car parks, and more.”

Ensto Pro is THE charger. It includes charging and service ability for public and semi-public environment with connectivity to serve users, owners and operators!

It's smart

OCPP 1.6 and dynamic load management are basic features of Ensto Pro. With these Ensto Pro qualifies as smartest EV charger on market.

It's tough

The full metal structure of Ensto Pro guarantees durability for both the weather (IP54) and external impacts (IK10).

It's flexible

Agile factory commissioning to back-end systems and wide range of customer tailorings make Ensto Pro the most suitable selection to customers.

It's safe

Ensto Pro has built-in residual current devices (RCD TypeA, 30mA and DC RCMB 6mA) and overcurrent protection. This guarantees user safety and installation according standards. This also allows installation without extra components in panel board.





Ensto Pro offers many possibilities for customization.

Structure

- › Body: stainless steel, RAL 9016
- › IP54
- › IK10
- › Ambient temperature range -30...+50 °C

Installation

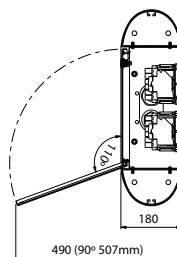
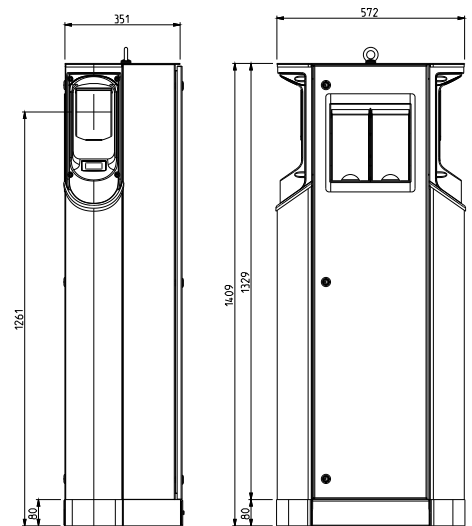
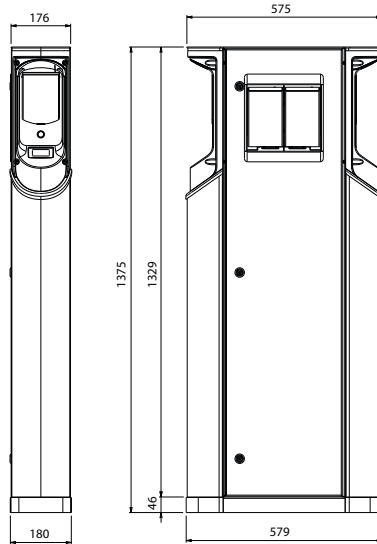
- › Fixing to ground or wall with optional brackets
- › Connection 5x2,5-50 mm² (copper), 6-50 mm² (aluminum)

Features

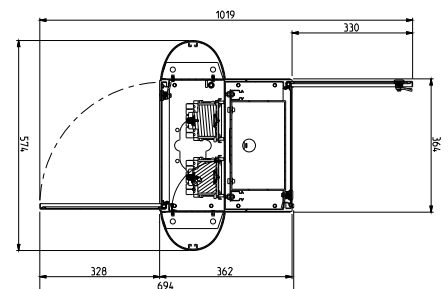
- › Built-in Residual Current breaker (RCD-A + DC 6mA RCMB)
- › Dynamic load management
- › RFID user authentication
- › OCPP 1.6
- › Adjustable maximum current setting, max 32A

Made to order

- › Surge protection
- › Distribution cabinet extension (EFV300-series)
- › Customer branding with paint and/or stickers
- › Factory pre-commissioning to back-end system
- › Arctic Kit - for extreme cold conditions, -30 degrees or below



EVF100, EVF200



EVF300

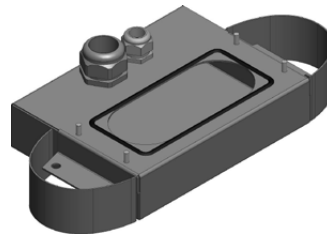
Product code	Technical name	Max power (kW)	Max current (A)	Data connection	Power cut lock release	RCD Type A + MCB	MID-meter	ISO15118 (V2X)
Single socket chargers								
EVF100W-ALB	EVF100W-ALB 1x22kW T2 V2X LAN	22	3x32	Ethernet		Yes		Yes
EVF100W-B4B	EVF100W-B4B 1x22kW T2 V2X 4G	22	3x32	4G	Yes	Yes		Yes
EVF100W-B4BC	EVF100W-B4BC 1x22kW T2 MID 4G	22	3x32	4G	Yes	Yes	Yes	Yes
Double socket chargers								
EVF200W-ALB	EVF200W-ALB 2x22kW T2 V2X LAN	22	3x32	Ethernet		Yes		Yes
EVF200W-ALBE2S	EVF200W-ALBE2S 2x22kW T2 V2X S	22	3x32	Ethernet		Yes		Yes
EVF200W-A4B	EVF200W-A4B 2x22kW T2 V2X 4G	22	3x32	4G		Yes		Yes
EVF200W-A4BE2S	EVF200W-A4BE2S 2x22kW T2 S 4G	22	3x32	4G		Yes		Yes
EVF200W-BLB	EVF200W-BLB 2x22kW T2 V2X LAN	22	3x32	Ethernet	Yes	Yes		Yes
EVF200W-BLBC	EVF200W-BLBC 2x22kW T2 MID LAN	22	3x32	Ethernet	Yes	Yes	Yes	Yes
EVF200W-B4B	EVF200W-B4B 2x22kW T2 V2X 4G	22	3x32	4G	Yes	Yes		Yes
EVF200W-B4BC	EVF200W-B4BC 2x22kW T2 MID 4G	22	3x32	4G	Yes	Yes	Yes	Yes
EVF200W-B4BCS	EVF200W-B4BCS 2x22kW T2 S 4G	22	3x32	4G	Yes	Yes	Yes	Yes
EVF200W-B4BCD	EVF200W-B4BCD 2x22kW T2 MID 4G	22	3x32	4G	Yes	Yes	Yes	Yes
EVF300W-B4BC	EVF300W-B4BC 2x22kW T2 MID 4G	22	3x32	4G	Yes	Yes	Yes	Yes
EVF300W-B4BCS	EVF300W-B4BCS 2x22kW T2 S 4G	22	3x32	4G	Yes	Yes	Yes	Yes
Accessories								
EVTL28.00	EVF ground installation frame							
EVTL31.00	EVF wall mounting bracket, including installation rail and box							
EVTL32.00	EVF ground mounting box, cable entry from bottom							
EVTL34.00	EVF ground mounting box, cabling from top							
EVTL36.00	EVF base adapter for EVB32.00							



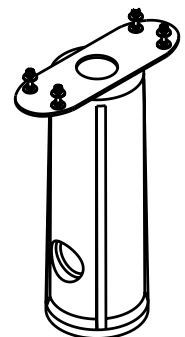
EVTL28.00



EVTL32.00



EVTL34.00



EVTL36.00



Reaching out to your EV driving customers or raising your brand awareness, Ensto Pro is your choice! Wide range of physical and virtual variations, will serve your business in best way possible.

Ensto enables smart EV charging for everyone!

	HOME CHARGING			WORK CHARGING	PUBLIC CHARGING
	Ensto One Home	Ensto One	Ensto Wallbox	Ensto Pro	Ensto Media
	Super easy and safe home charger. It's the One for you.	Easy and smart home charging at apartment buildings or shared parking.	Modular solution for single or dual EV charging. Compact and user-friendly design.	An easy-to-use, long lifetime AC charging station for public and semi-public EV charging.	Uniquely combines EV charging and outdoor advertisement with its stunning digital display.
1-PHASE	x	x	x	x	x
3-PHASE	x	x	x	x	x
KW / OUTLET	3,6 / 7,4 / 11 / 22	3,6 / 7,4 / 11 / 22	22+22 (dual outlet models)	22+22 (dual outlet models)	22+22
SMART	-	x	x	x	x
DATA CONNECTION	-	Ethernet	Ethernet / GSM / Wi-Fi	Ethernet / GSM	Ethernet / GSM
FIXED CABLE	x	- / x ⁶⁾	-	-	-
CABLE RELEASE	-	x	x	x	x
NEEDED RCD	A or built-in ¹⁾	built-in	A or built-in ¹⁾	built-in	built-in
CHARGING OUTLETS	1	1	1-2	1-2	2
USER CONTROL	x ²⁾	x ³⁾	x ³⁾	x ³⁾	x ³⁾
LOAD MANAGEMENT	-	x ⁴⁾	x ⁵⁾	x ⁵⁾	x ⁵⁾
MID-METER	-	x	x ¹⁾	x ¹⁾	x

1) Depending on the model, built-in or in separate enclosure
 2) Ensto Charger Control app
 3) EV Manager with separate subscription
 4) Cloud based, internet access mandatory
 5) For Ethernet versions
 6) Fixed cable available only for 3,6 kW and 7,4 kW models