

# AVR66

LED

Jono luminaires can be used widely in different lighting systems. Jono series includes a wide range of technical solutions for different needs of lighting. Jono can be used at home, in offices as well as in storages. It is an excellent luminaire in bathrooms and kitchen. It can be used as a ramp luminaire for corridors and staircases as well as in car shelters and garages.



## DALI

DALI drivers enable luminaires to be connected to DALI based control systems and Smart Buildings. Compared to a fixed output installation, the dimming and individual control capability provided by DALI enables considerable energy savings and control, depending on luminaire specifications.



"Suits best everywhere,  
in- and outdoor."



AVR66.110LP



AVR66.1159L LED RADAR



AVR66.1104L LED PIR

### Structure

- ▶ Diffuser polycarbonate
- ▶ Body aluminium
- ▶ LED models:
  - Connected load
  - 10W, luminaire luminous flux 895 lm (3000 K), 950 lm (4000 K)
  - 15W, luminaire luminous flux 1342 lm (3000 K), 1425 lm (4000 K)
  - 20W, luminaire luminous flux 1790 lm (3000 K), 1900 lm (4000 K)
  - 3000 K and 4000 K, Ra > 80, power factor 0,94
- ▶ Ambient temperature - 20 °C - + 25 °C
- ▶ LED module lifespan  $T_a=25\text{ °C}$ :
  - >100 000 h (L70)
  - 100 000 h (L80)
  - 71 000 h (L90)
- ▶ LED driver lifetime  $T_a=25\text{ °C}$ :
  - 100 000 h (max. 10 % failure rate)

### Control

- ▶ AVR66 PIR-type of luminaires are sensor luminaires equipped with infra-red motion sensor (PIR) in which are settings for time (1-30 min.), sensitivity and twilight switch function
- ▶ AVR66 RADAR-type of luminaires are sensor luminaires equipped with high-frequency radar to detect motion (Radar) in which are settings for time (1-30 min.), sensitivity and twilight switch function
- ▶ DALI
- ▶ Switch-control

### Mounting

- ▶ To the ceiling and to the wall
- ▶ Snap-in terminal block 5x2,5 mm<sup>2</sup> with through wiring, PIR-/RADAR-models -o- 5x2,5 mm<sup>2</sup>
- ▶ Sensor luminaire models see more accurate information at WEB-site
- PIR-models:
  - To the ceiling max. 4 meters height
  - To the wall max. 1,7-2,7 meters height
- RADAR-models:
  - To the ceiling max. 3,5 meters height
  - To the wall 1,7- 2,7 meters height
- Suitable for stand-alone and master-slave installation
- Maximum load behind one master is 400VA, however max. 5 luminaires in the same control group
- Slave luminaires from the Ensto basic luminaire range

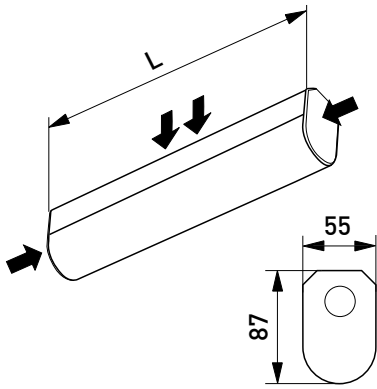
E number	Type	Product name	Base	Kg	Length	Luminous flux	Additional information
<b>LED Jono</b>							
42 176 01	AVR66.110L	AVR66 IP44 LED10W/840 E	LED	0,8	600	950 lm	
42 176 17	AVR66.110L/3K	AVR66 IP44 LED10W/830 E	LED	0,8	600	895 lm	
42 176 40	AVR66.115L	AVR66 IP44 LED15W/840 E	LED	1,2	900	1425 lm	
42 176 57	AVR66.115L/3K	AVR66 IP44 LED15W/830 E	LED	1,2	900	1342 lm	
42 179 16	AVR66.120L	AVR66 IP44 LED20W/840 E	LED	1,6	1200	1900 lm	
42 179 45	AVR66.120L/3K	AVR66 IP44 LED20W/830 E	LED	1,6	1200	1790 lm	
42 605 98	AVR66.127L	AVR66 IP44 LED27W/840 PC O	LED	1,8	1200	3145 lm	
42 175 92	AVR66.127L/3K	AVR66 IP44 LED27W/830 PC O	LED	1,8	1200	2990 lm	
<b>LED Jono aluminium colour</b>							
42 176 29	AVR66.110LAL/3K	AVR66 IP44 LED10W/830 EAL	LED	0,8	600	895 lm	



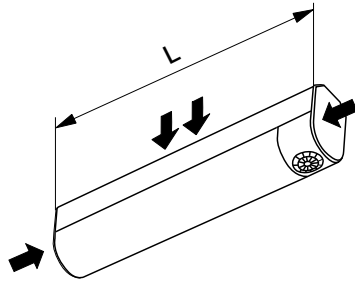
E number	Type	Product name	Base	Kg	Length	Luminous flux	Additional information
<b>LED Jono with switch</b>							
42 176 05	AVR66.1101L	AVR66 IP44 LED10W/840 E1	LED	0,9	644	950 lm	
42 176 20	AVR66.1101L/3K	AVR66 IP44 LED10W/830 E1	LED	0,9	644	895 lm	
42 176 41	AVR66.1151L	AVR66 IP44 LED15W/840 E1	LED	1,3	944	1425 lm	
42 176 59	AVR66.1151L/3K	AVR66 IP44 LED15W/830 E1	LED	1,3	944	1342 lm	
<b>LED Jono with switch, aluminium colour</b>							
42 176 31	AVR66.1101LAL/3K	AVR66 IP44 LED10W/830 E1AL	LED	0,9	644	895 lm	
<b>LED Jono with socket-outlet</b>							
42 176 07	AVR66.110LP	AVR66 IP44 LED10W/840 EP	LED	0,9	677	950 lm	
42 176 22	AVR66.110LP/3K	AVR66 IP44 LED10W/830 EP	LED	0,9	677	895 lm	
42 176 43	AVR66.115LP	AVR66 IP44 LED15W/840 EP	LED	1,3	977	1425 lm	
42 176 61	AVR66.115LP/3K	AVR66 IP44 LED15W/830 EP	LED	1,3	977	1342 lm	
<b>LED Jono with socket-outlet, aluminium colour</b>							
42 176 32	AVR66.110LPAL/3K	AVR66 IP44 LED10W/830 EPAL	LED	0,9	677	895 lm	
<b>LED jono with socket-outlet and switch</b>							
42 176 10	AVR66.1101LP	AVR66 IP44 LED10W/840 E1P	LED	1,0	721	950 lm	
42 176 23	AVR66.1101LP/3K	AVR66 IP44 LED10W/830 E1P	LED	1,0	721	895 lm	
42 176 44	AVR66.1151LP	AVR66 IP44 LED15W/840 E1P	LED	1,4	1021	1425 lm	
42 176 63	AVR66.1151LP/3K	AVR66 IP44 LED15W/830 E1P	LED	1,4	1021	1342 lm	
42 179 17	AVR66.1201LP	AVR66 IP44 LED20W/840 E1P	LED	1,9	1321	1900 lm	
42 179 46	AVR66.1201LP/3K	AVR66 IP44 LED20W/830 E1P	LED	1,9	1321	1790 lm	
<b>LED jono with socket-outlet and switch, aluminium colour</b>							
42 176 34	AVR66.1101LPAL/3K	AVR66 IP44 LED10W/830 E1PAL	LED	1,0	721	895 lm	
<b>LED Jono DALI</b>							
42 175 79	AVR66.110DDL	AVR66 IP44 LED10W/840 DALI	LED	0,8	600	950 lm	DALI, Switch dim
42 175 80	AVR66.110DDL/3K	AVR66 IP44 LED10W/830 DALI	LED	0,8	600	895 lm	DALI, Switch dim
42 176 55	AVR66.115DDL	AVR66 IP44 LED15W/840 DALI	LED	1,2	900	1425 lm	DALI, Switch dim
42 176 69	AVR66.115DDL/3K	AVR66 IP44 LED15W/830 DALI	LED	1,2	900	1342 lm	DALI, Switch dim
42 179 29	AVR66.120DDL	AVR66 IP44 LED20W/840 DALI	LED	1,8	1200	1900 lm	DALI, Switch dim
42 179 98	AVR66.120DDL/3K	AVR66 IP44 LED20W/830 DALI	LED	1,8	1200	1790 lm	DALI, Switch dim
<b>LED Jono with sensor</b>							
42 176 11	AVR66.1104L	AVR66 IP44 LED10W/840 EPIR	LED	1,0	656	950 lm	
42 176 25	AVR66.1104L/3K	AVR66 IP44 LED10W/830 EPIR	LED	1,0	656	895 lm	
42 176 16	AVR66.1109L	AVR66 IP44 LED10W/840 ERAD	LED	1,0	656	950 lm	
42 176 28	AVR66.1109L/3K	AVR66 IP44 LED10W/830 ERAD	LED	1,0	656	895 lm	
42 176 46	AVR66.1154L	AVR66 IP44 LED15W/840 EPIR	LED	1,4	956	1425 lm	
42 176 65	AVR66.1154L/3K	AVR66 IP44 LED15W/830 EPIR	LED	1,4	956	1342 lm	
42 176 49	AVR66.1159L	AVR66 IP44 LED15W/840 ERAD	LED	1,4	956	1425 lm	
42 176 67	AVR66.1159L/3K	AVR66 IP44 LED15W/830 ERAD	LED	1,4	956	1342 lm	
42 179 18	AVR66.1204L	AVR66 IP44 LED20W/840 EPIR	LED	1,8	1256	1900 lm	
42 179 47	AVR66.1204L/3K	AVR66 IP44 LED20W/830 EPIR	LED	1,8	1256	1790 lm	
42 179 19	AVR66.1209L	AVR66 IP44 LED20W/840 ERAD	LED	1,8	1256	1900 lm	
42 179 48	AVR66.1209L/3K	AVR66 IP44 LED20W/830 ERAD	LED	1,8	1256	1790 lm	
42 605 99	AVR66.1274L	AVR66 IP44 LED 27W/840 PC O PIR	LED	2,0	1256	3145 lm	
42 175 93	AVR66.1274L/3K	AVR66 IP44 LED 27W/830 PC O PIR	LED	2,0	1256	2990 lm	
<b>LED Jono with sensor, aluminium colour</b>							
42 176 35	AVR66.1104LAL/3K	AVR66 IP44 LED10W/830 EPIRAL	LED	1,0	656	895 lm	
42 176 38	AVR66.1109LAL/3K	AVR66 IP44 LED10W/830 ERADAL	LED	1,0	656	895 lm	

E number	Type	Product name	Base	Kg	Length	Luminous flux	Additional information
<b>LED Jono with PIR-sensor and socket-outlet</b>							
42 176 13	AVR66.1104LP	AVR66 IP44 LED10W/840 EPIRP	LED	1,1	733	950 lm	
42 176 26	AVR66.1104LP/3K	AVR66 IP44 LED10W/830 EPIRP	LED	1,1	733	895 lm	
42 176 47	AVR66.1154LP	AVR66 IP44 LED15W/840 EPIRP	LED	1,5	1033	1425 lm	
42 176 66	AVR66.1154LP/3K	AVR66 IP44 LED15W/830 EPIRP	LED	1,5	1033	1342 lm	
<b>LED Jono with PIR-sensor and socket-outlet, aluminium colour</b>							
42 176 37	AVR66.1104LPAL/3K	AVR66 IP44 LED10W/830 EPIRPAL	LED	1,1	733	895 lm	
<b>LED Jono with 1 hour battery back-up</b>							
42 179 43	AVR66.120L/1M	AVR66 IP44 LED20W/840 E1M	LED	1,9	1200	1900 lm	
<b>LED Jono module-sized with socket-outlet</b>							
42 903 09	AVR66.1560LP	AVR66 IP44 LED7W/840 SO 560	LED	1,0	560	650 lm	
42 903 00	AVR66.1600LP	AVR66 IP44 LED7W/840 SO 600	LED	1,0	600	650 lm	
42 903 12	AVR66.1900LP	AVR66 IP44 LED10W/840 SO 900	LED	1,2	900	1050 lm	
<b>LED Jono module-sized with socket-outlet and dust cover</b>							
42 903 03	AVR66.1500LPZ	AVR66 IP44 LED7W/840 SODUC500	LED	1,5	500	650 lm	
42 903 06	AVR66.1550LPZ	AVR66 IP44 LED7W/840 SODUC550	LED	1,7	550	650 lm	
42 903 55	AVR66.1600LPZ	AVR66 IP44 LED 7W/840 SO DUC	LED	1,8	600	650 lm	
42 903 56	AVR66.1900LPZ	AVR66 IP44 LED 10W/840 SO DUC	LED	2,5	900	1050 lm	
<b>Jono accessories</b>							
42 174 53	AVL608	90° angle connector pair for JONO AVR66					

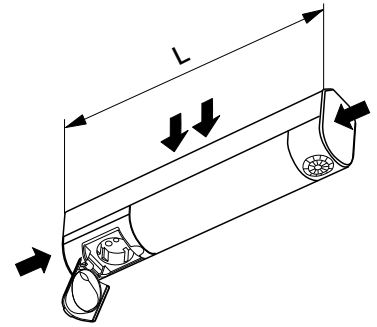




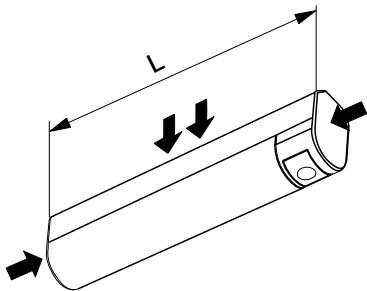
Jono and Jono Radar



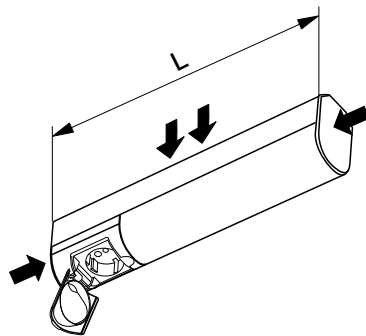
Jono PIR



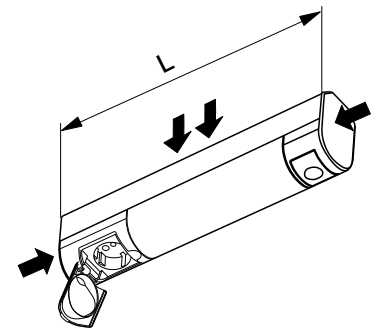
Jono PIR and socket outlet



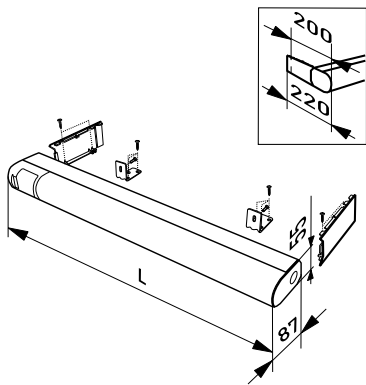
Jono with switch



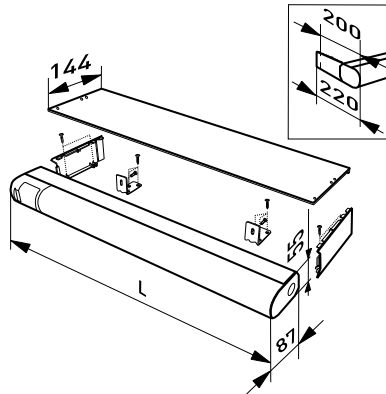
Jono with socket outlet and  
Jono with socket outlet and circuitbreaker



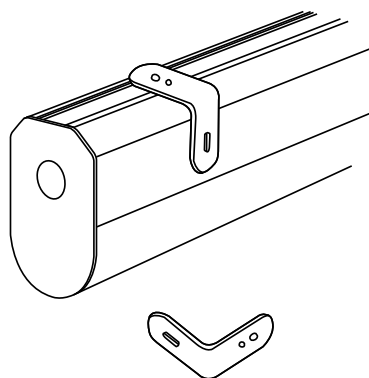
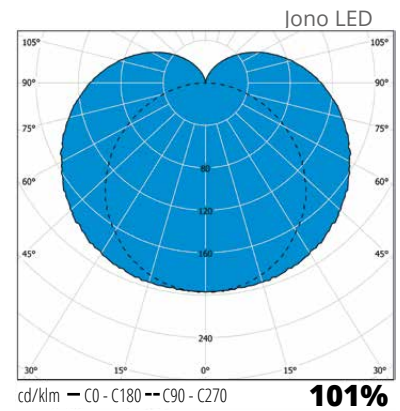
Jono with socket outlet and switch



Module sized Jono with socket outlet



Module sized Jono with socket outlet  
and dust cover



AVL608



AVR66 can be used at home, in offices as well as in storages. It is an excellent luminaire in bathrooms and kitchen. It can be used as a ramp luminaire for corridors and staircases as well as in car shelters and garages.