

AVR320

LED



AVR320 luminaire range is equipped with new type of innovative technical features. Easy to install. Many different motion sensor versions, in some of which the sensor's control signal is transferable wirelessly between luminaires.

Helvar ActiveAhead

ActiveAhead is a self-learning, wirelessly networked and future proof control system. ActiveAhead luminaires listen and learn by themselves and from each other to make sure that there is always light on your way. Plug'n play, no programming or commissioning needed.

Move!

Ensto Luminaires and movement detection is a base for many Smart Solutions but operate perfectly as a standalone versions as well. Ensto Move!-luminaires use PIR or Radar technique, depending on your projects and demand.

DualWhite

Ensto luminaires with DualWhite -solution are equipped with integrated option for light colour temperature switching. You can easily switch between 3000K and 4000K which saves your SKUs and gives you possibility to change colour temperature according to project, with one luminaire.



Dual White

1 Luminaire,
2 Colour temperatures

RF

Radio Frequency (RF) enables luminaires to be wirelessly connected to each other. When RF luminaire is detecting movement it will light up the group ahead of it and one behind. RF makes lighting more secure and you'll never enter a dark place.



"World class technology and quality of light, wide range of possibilities."



AVR320 + AVL45



AVR320 + AVL46



Structure

- ▶ Diffuser opal polycarbonate
- ▶ Body polycarbonate
- ▶ LED DualWhite models:
connected load
10W, luminaire luminous flux 1047 lm (3000 K),
1082 lm (4000 K),
14W, luminaire luminous flux 1466 lm (3000 K),
1514 lm (4000 K),
19W, luminaire luminous flux 1986 lm (3000 K),
2052 lm (4000 K),
3000K or 4000K selected from circuit board
switch under diffuse
Ra > 80, power factor 0,97
Ambient temperature - 20 °C - + 25 °C
- ▶ LED module lifespan T_a=25 °C:
>100 000 h (L70)
100 000 h (L80)
50 000 h (L90)
- ▶ LED driver lifetime T_a=25 °C:
100 000 h (max. 10 % failure rate)

Control

- ▶ AVR320 PIR-type of luminaires are sensor luminaires equipped with infra-red motion sensor (PIR) in which are settings for time (1-30 min.), sensitivity and twilight switch function. Some versions of PIR sensor luminaires are available also with wireless radio frequency control signal between the luminaires.

- ▶ AVR320 RADAR-type of luminaires are sensor luminaires equipped with high-frequency radar to detect motion (Radar) in which are settings for time (1-30 min.), sensitivity and twilight switch function
- ▶ AVR320 ActiveAhead luminaires with motion sensor (PIR) and self-learning wireless control. Factory settings 1 min time and 2 min base light.
- ▶ 1-10V
- ▶ DALI
- ▶ Switch-control

Mounting

- ▶ To the ceiling and to the wall or partly recessed
- ▶ Recess depth 43 mm, recess hole ø 306 mm, diffuser diameter ø 320 mm
- ▶ Snap-in terminal block 3x2,5 mm² with through wiring, PIR-/RADAR-models -o- 4/5x2,5 mm²
- ▶ Sensor luminaire models see more accurate information at WEB-site
- PIR-models:
To the ceiling max. 4 meters height
To the wall max. 2,7 meters height
- RADAR-models:
To the ceiling max. 3,5 meters height
To the wall 1,7- 2,7 meters height
- Suitable for stand-alone and master-slave installation
Maximum load behind one master is 400VA, however max. 5 luminaires in the same control group
Slave luminaires from the Ensto basic luminaire range

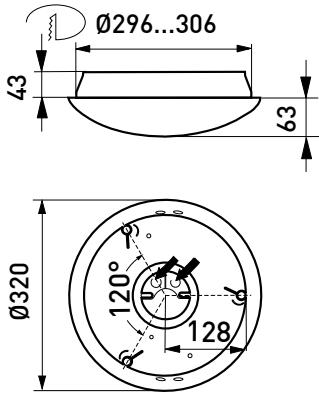
E number	Type	Product name	Base	Kg	Luminous flux	Additional information
AVR320 LED DW luminaire with electronic control gear						
41 035 16	AVR320.110L/DW	AVR320 IP44 LED10W/830/840	LED	1,2	1082 lm	
41 035 31	AVR320.114L/DW	AVR320 IP44 LED14W/830/840	LED	1,2	1514 lm	
41 035 87	AVR320.119L/DW	AVR320 IP44 19W 830/840	LED	1,2	2052 lm	
AVR320 LED DW with 1-10V dimmable electronic control gear						
41 035 15	AVR320.110DL/DW	AVR320 IP44 LED10W/830/840 D	LED	1,2	1082 lm	1-10V
41 035 28	AVR320.114DL/DW	AVR320 IP44 LED14W/830/840 D	LED	1,2	1514 lm	1-10V
AVR320 LED DW with 1-10V dimmable electronic control gear and a relay for controlling the 5%/100% light levels through a separate 230V power supply						
41 035 29	AVR320.114DLR/DW	AVR320 IP44 LED14W/830/840 DRE	LED	1,3	1514 lm	base light
AVR320 LED DW PIR sensor luminaires with electronic control gear						
41 034 59	AVR320.1104L/DW	AVR320 IP44 LED10W/830/840 PIR	LED	1,2	1082 lm	
41 035 18	AVR320.1144L/DW	AVR320 IP44 LED14W/830/840 PIR	LED	1,2	1514 lm	
41 035 81	AVR320.1194L/DW	AVR320 IP44 19W 830/840 PIR	LED	1,2	2052 lm	
AVR320 LED DW radar sensor luminaires with electronic control gear						
41 035 13	AVR320.1109L/DW	AVR320 IP44 LED10W/830/840 RAD	LED	1,2	1082 lm	
41 035 26	AVR320.1149L/DW	AVR320 IP44 LED14W/830/840 RAD	LED	1,2	1514 lm	
41 035 85	AVR320.1199L/DW	AVR320 IP44 19W 830/840 RAD	LED	1,2	2052 lm	
AVR320 LED DW PIR sensor luminaires with 1-10V dimmable electronic control gear. Base light level 5% and PIR controlled light level 100%						
41 034 77	AVR320.1106DL/DW	AVR320 IP44 LED10W/830/840 DP6	LED	1,3	1082 lm	motion sensor/base light
41 035 22	AVR320.1146DL/DW	AVR320 IP44 LED14W/830/840 DP6	LED	1,3	1514 lm	motion sensor/base light

E number	Type	Product name	Base	Kg	Luminous flux	Additional information
AVR320 LED DW PIR sensor luminaires with 1-10V dimmable electronic control gear. Basic light level 5% or 20% and PIR controlled light level 80% or 100%						
41 034 63	AVR320.1105DL/DW	AVR320 IP44 LED10W/830/840 DP5	LED	1,2	1082 lm	motion sensor/controlled base light + on/off
41 035 20	AVR320.1145DL/DW	AVR320 IP44 LED14W/830/840 DP5	LED	1,3	1514 lm	motion sensor/controlled base light + on/off
41 035 83	AVR320.1195DL/DW	AVR320 IP44 19W 830/840 DP5	LED	1,3	2052 lm	motion sensor/controlled base light + on/off
AVR320 LED DW radar sensor luminaires with 1-10V dimmable electronic control gear. Base light level 5% and radar controlled light level 100%						
41 034 79	AVR320.1109DL/DW	AVR320 IP44 LED10W/830/840 DR	LED	1,3	1082 lm	motion sensor/base light
41 035 25	AVR320.1149DL/DW	AVR320 IP44 LED14W/830/840 DR	LED	1,3	1514 lm	motion sensor/base light
AVR320 LED DW PIR ActiveAhead sensor luminaire						
41 173 62	AVR320.1107L/DW/AAG2	AVR320 IP44 10W/830/840 PIR AAG2	LED	1,2	1082 lm	
41 173 64	AVR320.1147L/DW/AAG2	AVR320 IP44 14W/830/840 PIR AAG2	LED	1,2	1514 lm	
41 173 65	AVR320.1197L/DW/AAG2	AVR320 IP44 19W/830/840 PIR AAG2	LED	1,2	2052 lm	
AVR320 LED DW PIR sensor luminaires with RF sender						
41 035 19	AVR320.1144L/DW/RF	AVR320 IP44 14W/830/840 PIR RF	LED	1,3	1514 lm	Master, on/off
41 035 82	AVR320.1194L/DW/RF	AVR320 IP44 19W 830/840 PIR RF	LED	1,3	2052 lm	Master, on/off
AVR320 LED DW luminaires with RF receiver (slave models)						
41 035 33	AVR320.114L/DW/RF	AVR320 IP44 LED14W/830/840 RF	LED	1,2	1514 lm	Slave
41 035 88	AVR320.119L/DW/RF	AVR320 IP44 19W 830/840 RF	LED	1,2	2052 lm	Slave
AVR320 LED DW PIR sensor luminaires with 1-10V dimmable control gear and RF sender. Basic light level 5% and PIR controlled light level 100%						
41 035 23	AVR320.1146DL/DW/RF	AVR320 IP44 14W/830/840 DP6 RF	LED	1,3	1514 lm	Master, base light
AVR320 LED DW with 1-10V dimmable control gear, RF receiver and relay for controlling the 5%/100% light levels						
41 035 30	AVR320.114DLR/DW/RF	AVR320 IP44 14W/830/840 DRE RF	LED	1,3	1514 lm	Slave, base light
AVR320 LED DW DALI luminaire with switch dim control gear						
41 035 14	AVR320.110DDL/DW	AVR320 IP44 LED10W/830/840 DA	LED	1,2	1082 lm	DALI, Switch dim
41 035 27	AVR320.114DDL/DW	AVR320 IP44 LED14W/830/840 DA	LED	1,2	1514 lm	DALI, Switch dim
41 035 86	AVR320.119DDL/DW	AVR320 IP44 19W 830/840 DA	LED	1,2	2052 lm	DALI, Switch dim
AVR320 LED DW luminaire with 1 hour battery back-up						
41 035 17	AVR320.110L/DW/1M	AVR320 IP44 LED10W/830/840 1M	LED	1,4	1082 lm	
41 035 32	AVR320.114L/DW/1M	AVR320 IP44 LED14W/830/840 1M	LED	1,4	1514 lm	
41 034 73	AVR320.1105DL/DW/1M	AVR320 IP44 10W/830/840 DP51M	LED	1,5	1082 lm	motion sensor/controlled base light + on/off
41 035 21	AVR320.1145DL/DW/1M	AVR320 IP44 14W/830/840 DP51M	LED	1,5	1514 lm	motion sensor/controlled base light + on/off
AVR320 luminaire for E27 compact fluorescent lamps						
41 178 02	AVR320	AVR320 IP44 max 23W/E27 PCO	E27	1,0		
AVR320 decorative frames polycarbonate						
41 176 81	AVL58					white
AVR320 decorative frames power coated aluminium						
41 178 70	AVL45					white
41 178 72	AVL45.2					antique-silver
41 178 73	AVL45.3					steel
AVR320320 anti-glare frames galvanized powder coated steel						
41 176 72	AVL46					white
AVR320 square frames galvanized powder coated steel						
41 176 75	AVL47					white
AVR320 accessories						
41 179 28	AVV320	Diffuser AVR320				
41 179 29	AVV320.1	Diffuser AVR320 PIR				

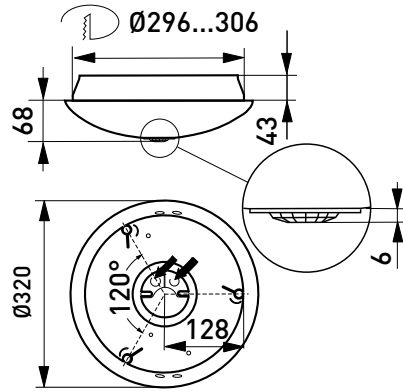
Luminaires per miniature circuit breaker	B10	B16	C10	C16
AVR320.110L/DW	30	37	38	61
AVR320.114L/DW	25	40	41	66
AVR320.119L/DW	25	40	41	66
AVR320.110DL/DW	27	43	45	73
AVR320.114DL/DW	27	43	45	73
AVR320.114DLR/DW	27	43	45	73
AVR320.1104L/DW	30	37	38	61
AVR320.1144L/DW	25	40	41	66
AVR320.1194L/DW	25	40	41	66
AVR320.1109L/DW	30	37	38	61
AVR320.1149L/DW	25	40	41	66
AVR320.1199L/DW	25	40	41	66

Luminaires per miniature circuit breaker	B10	B16	C10	C16
AVR320.1106DL/DW	27	43	45	73
AVR320.1146DL/DW	27	43	45	73
AVR320.1105DL/DW	27	43	45	73
AVR320.1145DL/DW	27	43	45	73
AVR320.1195DL/DW	27	43	45	73
AVR320.1109DL/DW	27	43	45	73
AVR320.1149DL/DW	27	43	45	73
AVR320.1107L/DW/AA	31	51	52	85
AVR320.1147L/DW/AA	31	51	52	85
AVR320.1197L/DW/AA	31	51	52	85
AVR320.1144L/DW/RF	25	40	41	66
AVR320.1194L/DW/RF	25	40	41	66

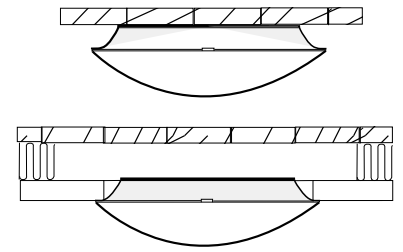
Luminaires per miniature circuit breaker	B10	B16	C10	C16
AVR320.114L/DW/RF	25	40	41	66
AVR320.119L/DW/RF	25	40	41	66
AVR320.1146DL/DW/RF	27	43	45	73
AVR320.114DLR/DW/RF	27	43	45	73
AVR320.110DDL/DW	27	43	45	73
AVR320.114DDL/DW	27	43	45	73
AVR320.119DDL/DW	27	43	45	73
AVR320.110L/DW/1M	24	29	30	48
AVR320.114L/DW/1M	20	32	32	52
AVR320.1105DL/DW/1M	27	43	45	73
AVR320.1145DL/DW/1M	27	43	45	73



AVR320



AVR320 PIR sensor luminaire



AVR320 Ø296...306

Installation picture



The decorative frames complete the flawless appearance. AVR320 luminaires fit inside and out, ceiling or wall.