

# AVR254

LED



AVR254 LED universal luminaires are designed for both wet and dry premises. They can be used both in indoor and outdoor applications. Luminaires fit excellent for bathrooms and toilets, wardrobes, shelters, terraces and vestibules. Luminaires are available in LED, PIR and Radar models.

## Move!

Ensto Luminaires and movement detection is a base for many Smart Solutions but operate perfectly as a standalone versions as well. Ensto Move! -luminaires use PIR or Radar technique, depending on your projects and demand.



"Classic quality  
fixture with wonderful  
specifications."



AVR254 + AVL40



AVR254 + AVL41



AVR254 + AVL57

### Structure

- Diffuser opal acrylate
- Body polycarbonate
- Models:
  - connected load
  - 8W (AVR254.18L), luminaire luminous flux 740 lm (3000 K), 800 lm (4000 K)
  - 11W (AVR254.111L), luminaire luminous flux 1000 lm (3000 K), 1100 lm (4000 K)
  - 3000/4000 K, Ra >80, power factor 0,72 (8W) and 0,87 (11W)
  - Ambient temperature - 20 °C - + 25 °C
- LED module lifespan T<sub>a</sub>=25 °C:
  - >100 000 h (L70)
  - 100 000 h (L80)
  - 50 000 h (L90)
- LED driver lifetime T<sub>a</sub>=25 °C:
  - 100 000 h (max. 10 % failure rate)

### Control

- AVR254 PIR-type of luminaires are sensor luminaires equipped with infra-red motion sensor (PIR) in which are settings for time (1-30 min.), sensitivity and twilight switch function
- AVR254 RADAR-type of luminaires are sensor luminaires equipped with high-frequency radar to detect motion (Radar) in which are settings for time (1-30 min.), sensitivity and twilight switch function

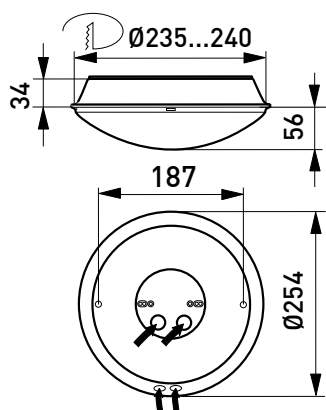
### Mounting

- To the ceiling and to the wall or partly recessed
- Recess mounting bracket AVL39 included in the packing
- Recess depth 34 mm, recess hole ø 240 mm, diffuser diameter ø 254 mm
- Snap-in terminal block 3x2,5 mm<sup>2</sup> with through wiring, PIR-/RADAR-models -o- 4x2,5 mm<sup>2</sup>
- Sensor luminaire models see more accurate information at WEB-site
- PIR-models:
  - To the ceiling max. 4 meters height
  - To the wall max. 1,7-2,7 meters height
- RADAR-models:
  - To the ceiling max. 3,5 meters height
  - To the wall 1,7- 2,7 meters height
- Suitable for stand-alone and master-slave installation
- Maximum load behind one master is 400VA, however max. 5 luminaires in the same control group
- Slave luminaires from the Ensto basic luminaire range

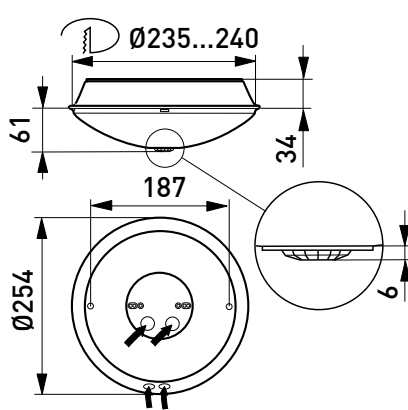
E number	Type	Product name	Base	Kg	Luminous flux	Additional information
<b>AVR254 LED luminaires with electronic control gear</b>						
42 173 70	AVR254.18L	AVR254 IP54 LED 8W/840 E AC O	LED	0,5	800 lm	
42 173 74	AVR254.18L/3K	AVR254 IP54 LED 8W/830 E AC O	LED	0,5	740 lm	
42 173 61	AVR254.111L	AVR254 IP54 LED 11W/840 E AC O	LED	0,5	1100 lm	
42 173 62	AVR254.111L/3K	AVR254 IP54 LED 11W/830 E AC O	LED	0,5	1000 lm	
<b>AVR254 LED PIR sensor luminaires</b>						
42 173 71	AVR254.184L	AVR254 IP54 LED 8W/840 E AC O PIR	LED	0,5	800 lm	
42 173 76	AVR254.184L/3K	AVR254 IP54 LED 8W/830 E AC O PIR	LED	0,5	740 lm	
42 173 64	AVR254.1114L	AVR254 IP54 LED 11W/840 E AC O PIR	LED	0,5	1100 lm	
42 173 67	AVR254.1114L/3K	AVR254 IP54 LED 11W/830 E AC O PIR	LED	0,5	1000 lm	
<b>AVR254 LED radar sensor luminaires</b>						
42 173 73	AVR254.189L	AVR254 IP54 LED 8W/840 E AC O RAD	LED	0,5	800 lm	
42 173 77	AVR254.189L/3K	AVR254 IP54 LED 8W/830 E AC O RAD	LED	0,5	740 lm	
42 173 65	AVR254.1119L	AVR254 IP54 LED 11W/840 E AC O RAD	LED	0,5	1100 lm	
42 173 68	AVR254.1119L/3K	AVR254 IP54 LED 11W/830 E AC O RAD	LED	0,5	1000 lm	



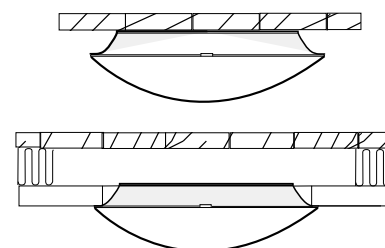
E number	Type	Product name	Base	Kg	Luminous flux	Additional information
<b>AVR254 decorative frame, polycarbonate</b>						
41 176 79	AVL57					white
<b>AVR254 decorative frame powder coated aluminium</b>						
41 175 90	AVL40					white
<b>AVR254 anti-glare frame galvanized, powder coated steel</b>						
41 175 94	AVL41					white
<b>AVR254 cover frame polycarbonate</b>						
41 175 99	AVL42					white
<b>AVR254 accessories</b>						
41 175 98	AVL39	Recessed mounting fastening AVR254				
41 179 26	AVV254	Diffuser AVR254				
41 179 27	AVV254.1	Diffuser AVR254 PIR				



AVR254-luminaires

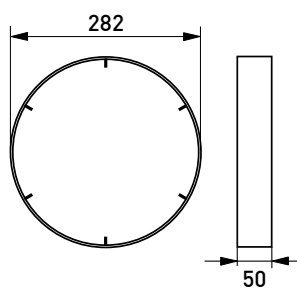


AVR254 PIR-sensor luminaires

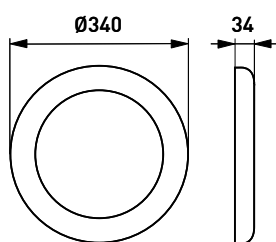


AVR254 Ø235...240

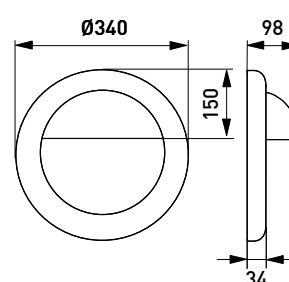
Installation picture



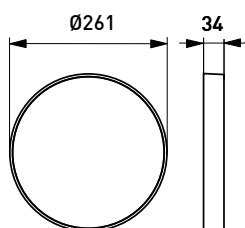
AVL57 decorative frame



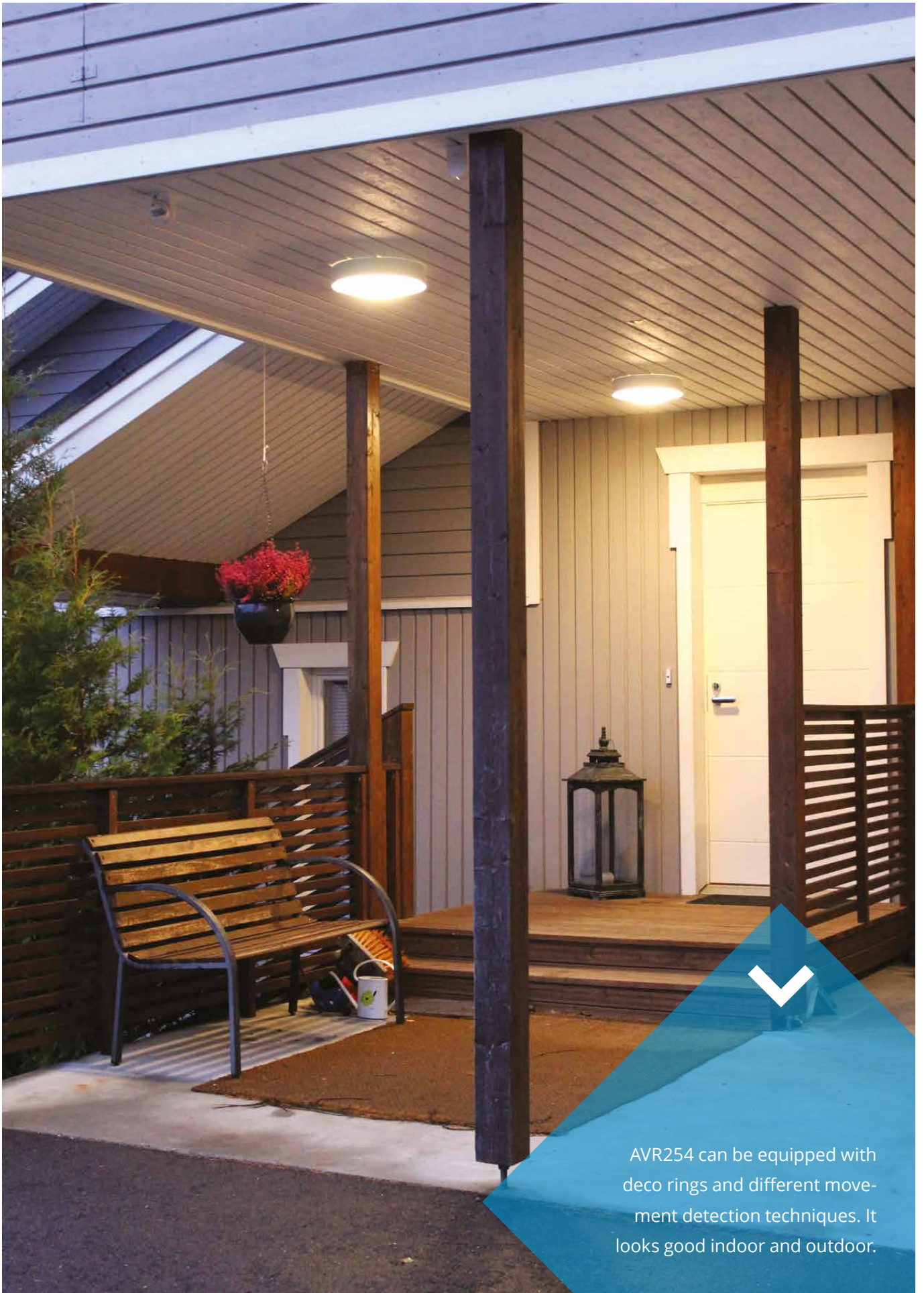
AVL40 decoration frame



AVL41 anti-glare frame



AVL42 cover frame



AVR254 can be equipped with deco rings and different movement detection techniques. It looks good indoor and outdoor.