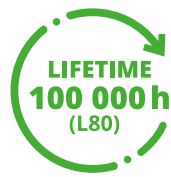




AVR70



AVR70-72

LED | E27

AVR70-72 series of basic all-round luminaires for both indoor and outdoor applications. The luminaires can be mounted to the ceiling and to the wall. Their material is shock-proof polycarbonate. These luminaires are often used for house numbering. In wall mounting they can be equipped with the snow-shield.



"Classic fixture for house numbering, which is not scared of cold."



AVR71



AVR72

Structure

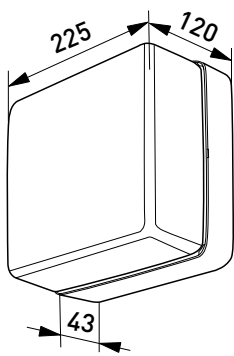
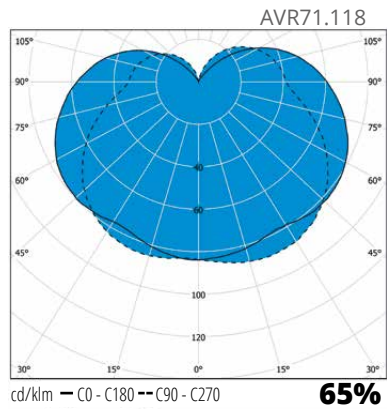
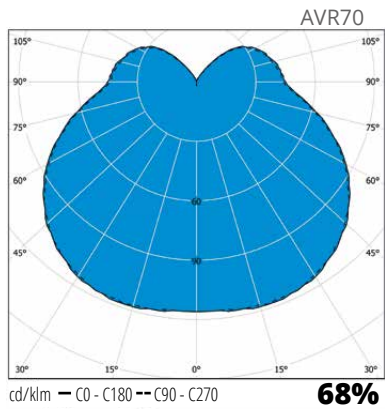
- Diffuser and body polycarbonate
- LED-model:
connected load 8W, luminaire luminous flux see table
4000 K, 3000 K, Ra>80, power factor 0,72
Ambient temperature - 40 °C - + 25 °C
- LED module lifespan $T_a=25\text{ °C}$:
>100 000 h (L70)
100 000 h (L80)
50 000 h (L90)
- LED driver lifetime $T_a=25\text{ °C}$:
100 000 h (max. 10 % failure rate)

Mounting

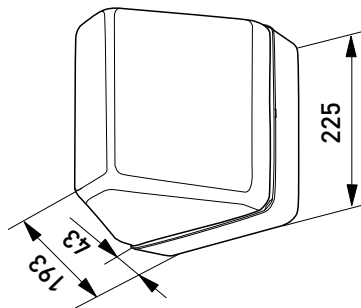
- To the ceiling or to the wall
- Snow shields ordered separately
- Screw terminal block 4x2,5 mm² with through wiring

E number	Type	Product name	Base	Kg	Luminous flux
AVR70 E27					
41 170 69	AVR70	AVR70 1x60W A60/E27 230V	E27	0,8	
AVR70 LED					
41 170 32	AVR70.19L	IP44 LED 8W/840 E PC O	LED	1,0	800 lm
AVR71 E27					
41 170 72	AVR71	AVR71 1x60W A60/E27 230V	E27	0,9	
AVR71 LED					
41 170 50	AVR71.19L	IP44 LED 8W/840 E PC O	LED	1,1	870 lm
41 035 89	AVR71.19L/3K	AVR71 IP44 LED 8W/830 E PC O	LED	1,1	804 lm
AVR72 LED					
41 170 59	AVR72.19L	IP44 LED 8W/840 E PC O	LED	1,0	800 lm
41 035 90	AVR72.19L/3K	AVR72 IP44 LED 8W/830 E PC O	LED	1,1	740 lm
AVR70 accessories and spare parts					
41 179 38	AVV70	Diffuser for AVR70 luminaires, opal polycarbonate			
41 171 05	AVL30	Snow shield for AVR70 luminaires, white			
AVR71 accessories and spare parts					
41 171 11	AVL68	Snow shield for AVR71 luminaires, white			
41 179 41	AVV71	Diffuser for AVR71 luminaires, opal polycarbonate			
AVR72 accessories and spare parts					
41 179 42	AVV72	Diffuser for AVR72 luminaires, opal polycarbonate			

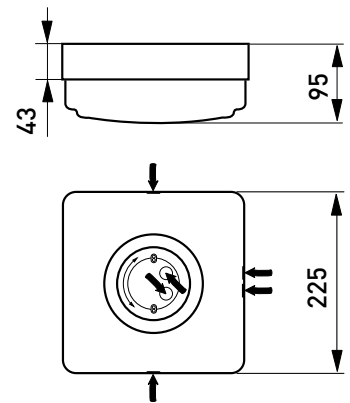




AVR70



AVR71



AVR72



AVR70-serie luminaires has been used on facades for decades and also decades to come. Hot or cold won't bother this classic.

