

AVR400

LED | E27



AVR400 are stylish and effective luminaires for halls, corridors, offices and hotel rooms as well as in many applications at home. Luminaires are suitable both wet and dry premises.

Helvar ActiveAhead

ActiveAhead is a self-learning, wirelessly networked and future proof control system. ActiveAhead luminaires listen and learn by themselves and from each other to make sure that there is always light on your way. Plug'n play, no programming or commissioning needed.

Move!

Ensto Luminaires and movement detection is a base for many Smart Solutions but operate perfectly as a standalone versions as well. Ensto Move!-luminaires use PIR or Radar technique, depending on your projects and demand.

DALI

DALI drivers enable luminaires to be connected to DALI based control systems and Smart Buildings. Compared to a fixed output installation, the dimming and individual control capability provided by DALI enables considerable energy savings and control, depending on luminaire specifications.



"Big and powerful,
100% quality."



AVR400 + AVL59

Structure

- › Diffuser opal polycarbonate
- › Body polycarbonate
- › E27 version does not include light source
- › LED-models:
Connected load
18W, luminaire luminous flux 2090 lm (3000 K),
2260 lm (4000 K)
25W, luminaire luminous flux 2790 lm (3000 K),
3010 lm (4000 K)
3000/4000 K, Ra > 80, power factor 0,93
- › SDIM models:
Changeable power via dipperswitches
Check the attached lumen output table for options
Ambient temperature – 20 °C - + 25 °C
- › LED module lifespan T_a=25 °C:
>100 000 h (L70)
100 000 h (L80)
50 000 h (L90)
- › LED driver lifetime T_a=25 °C:
100 000 h (max. 10 % failure rate)

Control

- › AVR400 PIR-type of luminaires are sensor luminaires equipped with infra-red motion sensor (PIR) in which are settings for time (3-30 min.), sensitivity and twilight switch function
- › AVR400 RADAR-type of luminaires are sensor luminaires equipped with high-frequency radar to detect motion (Radar) in which are settings for time (1-30 min.), sensitivity and twilight switch function
- › AVR400 ActiveAhead luminaires with motion sensor (PIR) and self-learning wireless control. Factory settings 1 min time and 2 min base light.

- › AVR400 SDIM RAD luminaires are equipped with high frequency motion sensors paired with photocell technology, which allows separation of natural light from artificial light produced by luminaires. Settings for hold time (5 s-30 min), base light, sensitivity and twilight function.
- › 1-10V
- › DALI
- › Switch-control

Mounting

- › To the ceiling and to the wall or partly recessed
- › Fixing for recess mounting is included in the delivery
- › Recess depth 42 mm, recess hole ø 390 mm, diffuser diameter ø 400 mm
- › Snap-in terminal block 5x2,5 mm² with through wiring, PIR-/RADAR-models -o- 4/5x2,5 mm², controlled models 5x2,5 mm²+2x2,5 mm²
- › Sensor luminaire models see more accurate information at WEB-site
PIR-models:
To the ceiling max. 4 meters height
To the wall max. 1,7 - 2,7 meters height
RADAR-models:
To the ceiling max. 3,5 meters height
To the wall 1,7- 2,7 meters height
Suitable for stand-alone and master-slave installation
Maximum load behind one master is 400VA, however max. 5 luminaires in the same control group
Slave luminaires from the Ensto basic luminaire range
SDIM models:
To the ceiling max. 4,0 meters height
To the wall 1,7- 2,7 meters height
Installation Slave luminaires from AVR400 SDIM range, max 10 luminaires per group.

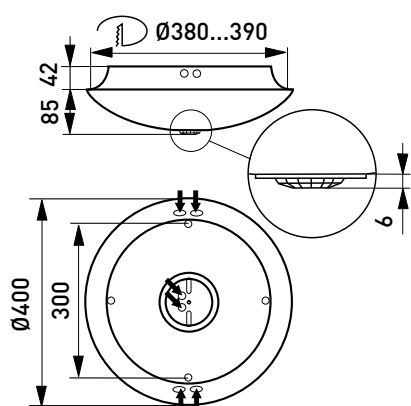
E number	Type	Product name	Base	Kg	Luminous flux	Additional information
AVR400 LED universal luminaires						
42 173 56	AVR400.118L	AVR400 IP44 LED 18W/840 E PC O	LED	2,1	2260 lm	
42 173 89	AVR400.118L/3K	AVR400 IP44 LED 18W/830 E PC O	LED	2,1	2090 lm	
42 603 30	AVR400.125L	AVR400 IP44 LED 25W/840 E PC O	LED	2,1	3010 lm	
42 603 31	AVR400.125L/3K	AVR400 IP44 LED 25W/830 E PC O	LED	2,1	2790 lm	
AVR400 LED universal luminaires with 1-10V dimmable control gear						
42 173 80	AVR400.118DL	AVR400 IP44 LED 18W/840 D PC O	LED	2,1	2260 lm	
42 173 94	AVR400.118DL/3K	AVR400 IP44 LED 18W/830 D PC O	LED	2,1	2090 lm	
AVR400 LED universal luminaires with DALI control gear						
42 173 88	AVR400.118DDL	AVR400 IP44 LED 18W/840 DALI PC O	LED	2,1	2260 lm	
42 174 00	AVR400.118DDL/3K	AVR400 IP44 LED 18W/830 DALI PC O	LED	2,1	2090 lm	
42 903 31	AVR400.125DDL	AVR400 IP44 LED25W/840 DALI PC	LED	2,1	3010 lm	
42 903 32	AVR400.125DDL/3K	AVR400 IP44 LED25W/830 DALI PC	LED	2,1	2790 lm	

E number	Type	Product name	Base	Kg	Luminous flux	Additional information
AVR400 LED PIR sensor luminaire						
42 173 58	AVR400.1184L	AVR400 IP44 LED 18W/840 E PC O PIR	LED	2,2	2260 lm	
42 173 91	AVR400.1184L/3K	AVR400 IP44 LED 18W/830 E PC O PIR	LED	2,2	2090 lm	
42 603 25	AVR400.1254L	AVR400 IP44 LED 25W/840 E PC O PIR	LED	2,2	3010 lm	
42 603 26	AVR400.1254L/3K	AVR400 IP44 LED 25W/830 E PC O PIR	LED	2,2	2790 lm	
AVR400 LED RADAR sensor luminaire						
42 173 59	AVR400.1189L	AVR400 IP44 LED 18W/840 E PC O RAD	LED	2,2	2260 lm	
42 173 92	AVR400.1189L/3K	AVR400 IP44 LED 18W/830 E PC O RAD	LED	2,2	2090 lm	
42 603 27	AVR400.1259L	AVR400 IP44 LED 25W/840 E PC O RAD	LED	2,2	3010 lm	
42 603 28	AVR400.1259L/3K	AVR400 IP44 LED 25W/830 E PC O RAD	LED	2,2	2790 lm	
AVD400 LED PIR sensor luminaires with 1-10V dimmable electronic control gear. Base light level 5% and PIR controlled light level 100%						
42 173 85	AVR400.1186DL	AVR400 IP44 LED 18W/840 D PC O PIR	LED	2,2	2260 lm	
42 173 98	AVR400.1186DL/3K	AVR400 IP44 LED 18W/830 D PC O PIR	LED	2,2	2090 lm	
AVD400 LED PIR sensor luminaire with 1-10V dimmable electronic control gear. Base light level 5% or 20% and PIR controlled light level 80% or 100%						
42 173 82	AVR400.1185DL	AVR400 IP44 LED 18W/840 D PC O PIR	LED	2,2	2260 lm	
42 173 95	AVR400.1185DL/3K	AVR400 IP44 LED 18W/830 D PC O PIR	LED	2,2	2090 lm	
AVD400 LED radar sensor luminaire with 1-10V dimmable electronic control gear. Base light level 5% and radar controlled light level 100%						
42 173 83	AVR400.1189DL	AVR400 IP44 LED 18W/840 D PC O RAD	LED	2,2	2260 lm	
42 173 97	AVR400.1189DL/3K	AVR400 IP44 LED 18W/830 D PC O RAD	LED	2,2	2090 lm	
AVR400 LED PIR ActiveAhead sensor luminaire						
41 173 68	AVR400.1187L/AAG2	AVR400 IP44 LED 18W/840 PIR AAG2	LED	2,2	2260 lm	
41 173 67	AVR400.1187L/3K/AAG2	AVR400 IP44 LED 18W/830 PIR AAG2	LED	2,2	2090 lm	
41 173 71	AVR400.1257L/AAG2	AVR400 IP44 LED 25W/840 PIR AAG2	LED	2,2	3010 lm	
41 173 70	AVR400.1257L/3K/AAG2	AVR400 IP44 LED 25W/840 PIR AAG2	LED	2,2	2790 lm	
AVR400 LED universal luminaires with 1 hour battery back-up						
42 173 79	AVR400.118L/1M	AVR400/1M IP44 LED 18W/840 E PC O	LED	2,3	2260 lm	
42 173 86	AVR400.1185DL/1M	AVR400/1M IP44 LED 18W/840 D PC O P	LED	2,4	2260 lm	
AVR400 LED with selectable lumen output						
42 170 12	AVR400.127L/SDIM	AVR400 IP44 27W/840 SDim	LED	1,8	3200 lm	
42 170 15	AVR400.127L/3K/SDIM	AVR400 IP44 27W/830 SDim	LED	1,8	2960 lm	
AVR400 LED sensor luminaire with selectable lumen output, selectable hold time and level (0/10/30%) for base light, motion detector controlled light level 100%						
42 170 18	AVR400.1279L/SDIM	AVR400 IP44 27W/840 RAD SDim	LED	2,2	3200 lm	
42 170 21	AVR400.1279L/3K/SDIM	AVR400 IP44 27W/830 RAD SDim	LED	2,2	2960 lm	
AVR400 LED with selectable lumen output and 1 hour battery back-up						
42 170 24	AVR400.127L/SDIM/1M	AVR400 IP44 27W/840 SDim 1M	LED	2,3	3200 lm	
42 170 27	AVR400.127L/3K/SDIM/1M	AVR400 IP44 27W/830 SDim 1M	LED	2,3	2960 lm	
AVR400 LED sensor luminaire with selectable lumen output, selectable hold time and level (0/10/30%) for base light, motion detector controlled light level 100% and with 1 hour battery back-up						
42 170 30	AVR400.1279L/SDIM/1M	AVR400 IP44 27W/840 RAD SDim 1M	LED	2,4	3200 lm	
42 170 33	AVR400.1279L/3K/SDIM/1M	AVR400 IP44 27W/830 RAD SDim 1M	LED	2,4	2960 lm	

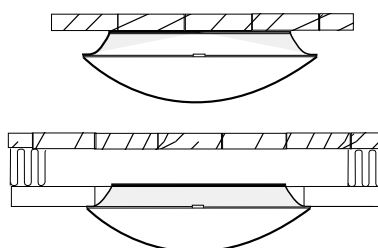
AVR400 SDIM lumen output table

Current	Power	Luminous flux (4K)	Luminous flux (3K)
AVR400.SDIM, 350mA	13	1600 lm	1480 lm
AVR400.SDIM, 500mA	18	2260 lm	2090 lm
AVR400.SDIM, 550mA	20	2450 lm	2260 lm
AVR400.SDIM, 700mA	25	3010 lm	2790 lm
AVR400.SDIM, 750mA	27	3200 lm	2960 lm

E number	Type	Product name	Base	Kg	Luminous flux	Additional information
AVR400 luminaire for E27						
41 175 21	AVR400	1x100W A60/E27	E27	1,1		
AVR400 decorative frames polycarbonate						
41 179 52	AVL52					white
AVR400 decorative frames polycarbonate						
41 176 83	AVL59					white
AVR400 decorative frames powder coated aluminium						
41 178 80	AVL50					white
AVR400 accessories						
41 179 31	AVV400	Diffuser AVR400				
41 179 32	AVV400.1	Diffuser AVR400 PIR				

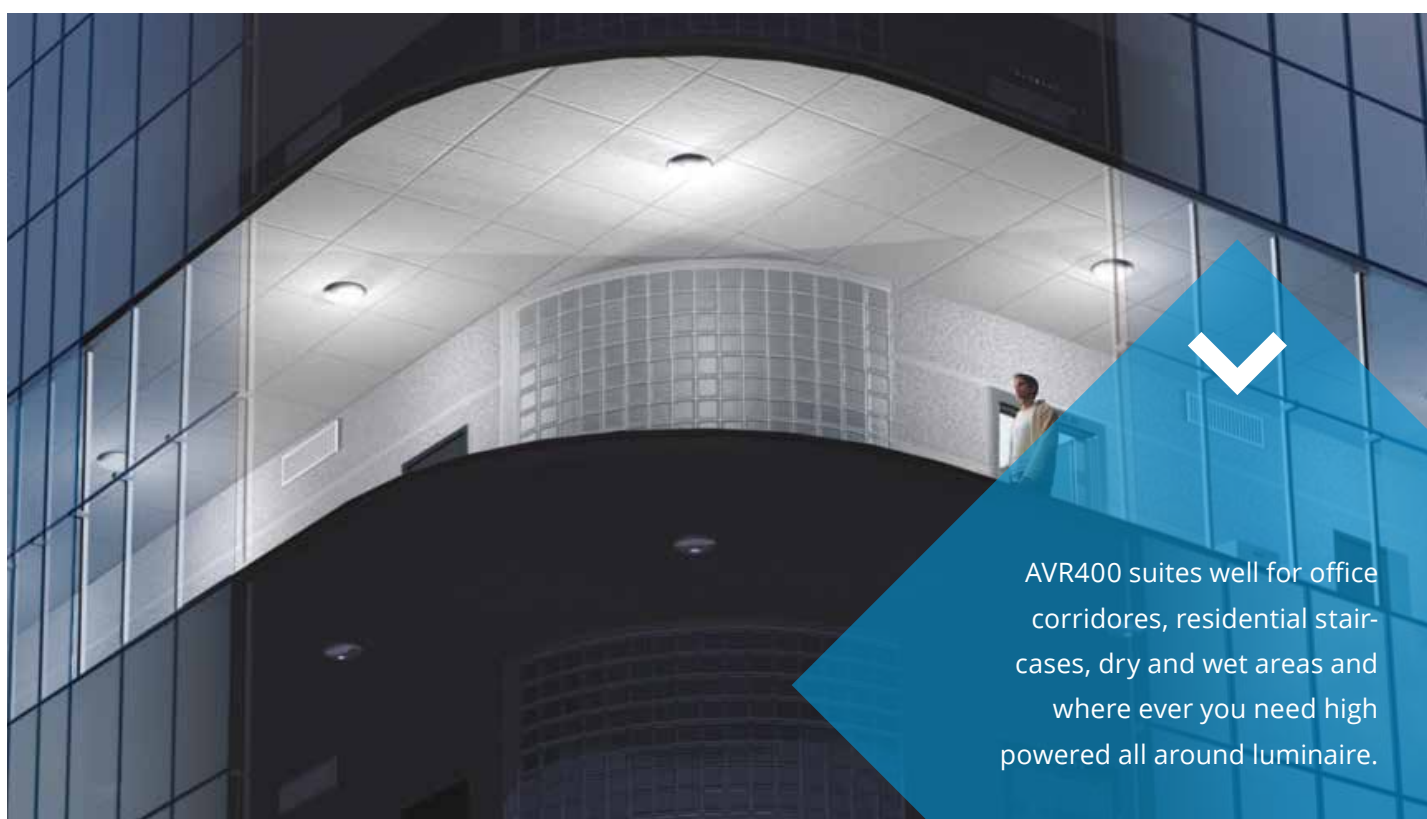


AVR400 PIR sensor luminaire



AVR400 Ø380...390

Installation picture



AVR400 suites well for office corridors, residential staircases, dry and wet areas and where ever you need high powered all around luminaire.