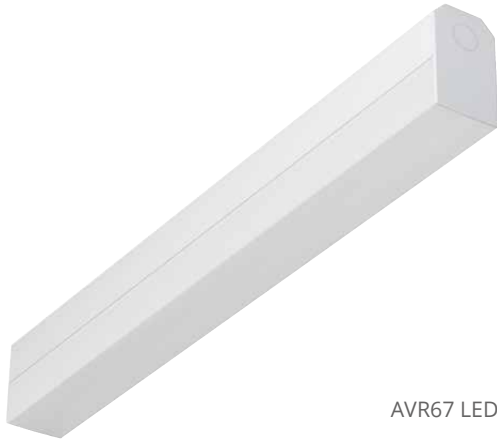


AVR67

LED | T5

Jono with square diffuser is a stylish universal luminaire available in LED and T5 for indoor and outdoor use.



AVR67 LED

Move!

Ensto Luminaires and movement detection is a base for many Smart Solutions but operate perfectly as a standalone versions as well. Ensto Move!-luminaires use PIR or Radar technique, depending on your projects and demand.

DALI

DALI drivers enable luminaires to be connected to DALI based control systems and Smart Buildings. Compared to a fixed output installation, the dimming and individual control capability provided by DALI enables considerable energy savings and control, depending on luminaire specifications.

Dimming

Ensto can provide many dimming possibilities for luminaires. 1-10V, Switch Dim, DALI and base light are just few examples of possibilities to change the light output to fit your premises.



“Classic linear luminaire with square shaped diffuser. Sharp alternative for all areas.”



AVR67.014E



AVR67 aluminium



AVR67 + wire suspension set

Structure

- ▶ Diffuser clear prismatic or opal polycarbonate, LED-models with opal diffuser
- ▶ Body aluminium
- ▶ LED models:
Connected load
10W, luminaire luminous flux 895 lm (3000 K), 950 lm (4000 K)
15W, luminaire luminous flux 1342 lm (3000 K), 1425 lm (4000 K)
20W, luminaire luminous flux 1790 lm (3000 K), 1900 lm (4000 K)
3000 K and 4000 K, Ra > 80, power factor 0,94
Ambient temperature - 20 °C - + 25 °C
LED-module lifespan 60 000 h (L70), T_a = 25 °C

Control

- ▶ 1-10V
- ▶ DALI
- ▶ Switch-control

Mounting

- ▶ To the ceiling and to the wall
- ▶ Snap-in terminal block 5x2,5 mm² with through wiring

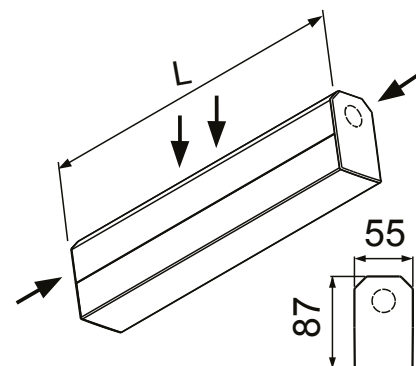
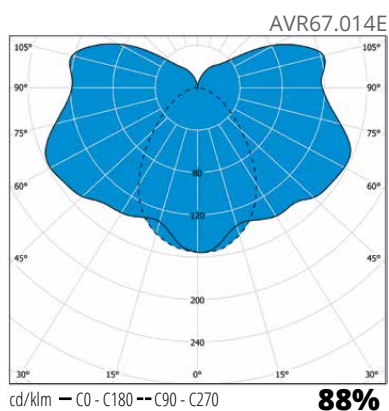
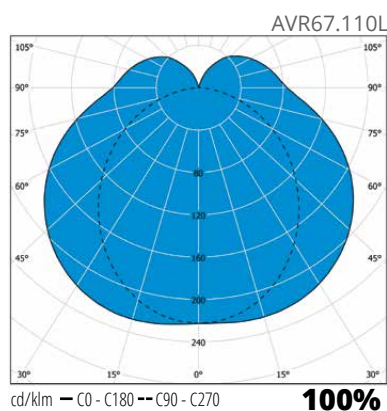
Made to order

- ▶ AVR67 LED-models with RADAR sensor

| E number | Type | Product name | Base | Kg | Length | Luminous flux | Additional information |
|--|-----------------|----------------------------|------|-----|--------|---------------|------------------------|
| Jono LED with opal diffuser | | | | | | | |
| 42 903 20 | AVR67.110L | AVR67 IP44 LED10W/840 E | LED | 0,8 | 600 | 950 lm | |
| 42 903 22 | AVR67.110L/3K | AVR67 IP44 LED10W/830 E | LED | 0,8 | 600 | 895 lm | |
| 42 903 25 | AVR67.115L | AVR67 IP44 LED15W/840 E | LED | 1,2 | 900 | 1425 lm | |
| 42 903 26 | AVR67.115L/3K | AVR67 IP44 LED15W/830 E | LED | 1,2 | 900 | 1342 lm | |
| 42 903 29 | AVR67.120L | AVR67 IP44 LED20W/840 E | LED | 1,6 | 1200 | 1900 lm | |
| 42 903 35 | AVR67.120L/3K | AVR67 IP44 LED20W/830 E | LED | 1,6 | 1200 | 1790 lm | |
| Jono LED with opal diffuser, DALI | | | | | | | |
| 42 903 23 | AVR67.115DDL | AVR67 IP44 LED15W/840 DALI | LED | 1,2 | 900 | 1425 lm | |
| 42 903 28 | AVR67.115DDL/3K | AVR67 IP44 LED15W/830 DALI | LED | 1,2 | 900 | 1342 lm | |
| 42 903 43 | AVR67.120DDL | AVR67 IP44 LED20W/840 DALI | LED | 1,6 | 1200 | 1900 lm | |
| 42 903 49 | AVR67.120DDL/3K | AVR67 IP44 LED20W/830 DALI | LED | 1,6 | 1200 | 1790 lm | |



| E number | Type | Product name | Base | Kg | Length | Luminous flux | Additional information |
|---|--------------|--|------|-----|--------|---------------|------------------------|
| Jono T5 (ø 16 mm) with electronic control gear | | | | | | | |
| 42 173 04 | AVR67.014E | AVR67.014E IP44 T5 14W E PC C, 600mm | G5 | 1,1 | 600 | | |
| 42 173 13 | AVR67.021E | AVR67.021E IP44 T5 21W E PC C, 900mm | G5 | 1,4 | 900 | | |
| 42 173 16 | AVR67.024E | AVR67.024E IP44 T5 24W E PC C, 600mm | G5 | 1,0 | 600 | | |
| 42 173 20 | AVR67.028E | AVR67.028E IP44 T5 28W E PC C, 1200mm | G5 | 1,8 | 1200 | | |
| 42 173 28 | AVR67.035E | AVR67.035E IP44 T5 35W E PC C, 1500mm | G5 | 2,1 | 1500 | | |
| 42 173 35 | AVR67.049E | AVR67.049E IP44 T5 49W E PC C, 1500mm | G5 | 2,1 | 1500 | | |
| Jono T5 (ø 16 mm) with electronic control gear and opal diffuser | | | | | | | |
| 42 173 40 | AVR67.014EO | AVR67.014EO IP44 T5 14W E PC O, 600mm | G5 | 1,1 | 600 | | |
| 42 173 41 | AVR67.021EO | AVR67.021EO IP44 T5 21W E PC O, 900mm | G5 | 1,4 | 900 | | |
| 42 173 42 | AVR67.028EO | AVR67.028EO IP44 T5 28W E PC O, 1200mm | G5 | 1,8 | 1200 | | |
| 42 173 43 | AVR67.035EO | AVR67.035EO IP44 T5 35W E PC O, 1500mm | G5 | 2,1 | 1500 | | |
| Jono T5 (ø 16 mm) with electronic control gear, aluminium colour | | | | | | | |
| 42 173 05 | AVR67.014EAL | AVR67.014EAL IP44 T5 14W E PC C AL, 600mm | G5 | 1,1 | 600 | | |
| 42 173 14 | AVR67.021EAL | AVR67.021EAL IP44 T5 21W E PC C AL, 900mm | G5 | 1,4 | 900 | | |
| 42 173 22 | AVR67.028EAL | AVR67.028EAL IP44 T5 28W E PC C AL, 1200mm | G5 | 1,8 | 1200 | | |
| 42 173 29 | AVR67.035EAL | AVR67.035EAL IP44 T5 35W E PC C AL, 1500mm | G5 | 2,1 | 1500 | | |
| Jono accessories | | | | | | | |
| 42 175 56 | AVL601 | Wire suspension set for JONO AVR66 | | | | | |
| 42 175 59 | AVL605 | In-line connector set for JONO AVR66 | | | | | |
| 42 174 53 | AVL608 | 90° angle connectorpair for JONO AVR66 | | | | | |
| 41 170 22 | AVL609 | Fixing kit for AVR66 Jono luminaire | | | | | |





✓

Square shape gives a new angle to traditional fixture. AVR67 fits well in dry and also wet areas, residential or public.

