



AVD550

LED | TC

AVD550 is a prestige design luminaire with energy efficient light sources for lighting public premises. Several efficient light source options, also with motion sensors and with emergency versions.



“Design option for universal lighting, size and looks as a standard.”



AVD550 PIR sensor luminaires



AVD550 + AVL551 wire suspension set

Structure

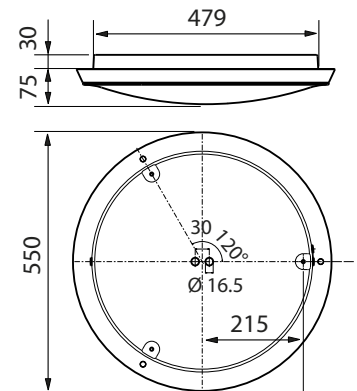
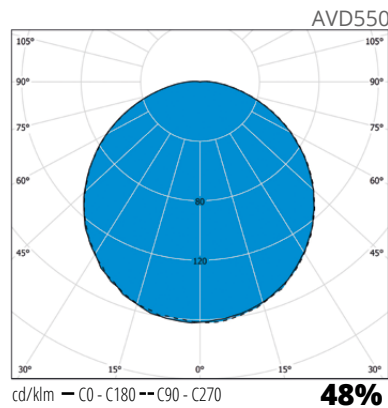
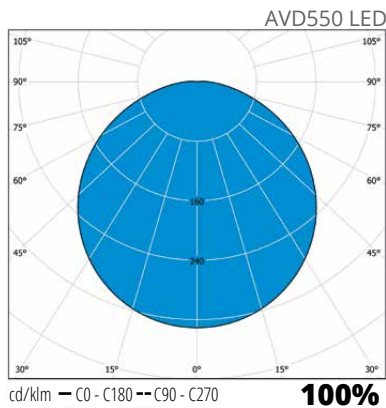
- ▶ Diffuser opal polycarbonate or glass, LED-models with polycarbonate diffuser
- ▶ Body aluminium
- ▶ Light sources included in the delivery
- ▶ LED-models:
Connected load 39W, luminaire luminous flux 3890 lm (3K) and 4030 lm (4K)
Ra > 80, power factor 0,94, DALI 0,98
Ambient temperature - 20 °C - + 25 °C
LED-module lifespan 50 000 h (L70), T_a=25 °C

Control

- ▶ AVD550 PIR-type of luminaires are sensor luminaires equipped with infra-red motion sensor (PIR) in which are settings for time (1-30 min.), sensitivity and twilight switch function
- ▶ AVD550 RADAR-type of luminaires are sensor luminaires equipped with high-frequency radar to detect motion (Radar) in which are settings for time (1-30 min.), sensitivity and twilight switch function
- ▶ 1-10V
- ▶ Switch-dim / DALI

Mounting

- ▶ To the ceiling and to the wall or partly recessed
- ▶ Recess depth 30 mm, recess hole ø 485 mm, diffuser diameter ø 550 mm
- ▶ AVL551 wire suspension kit for suspension mounting
- ▶ Snap-in terminal block 5x2,5 mm² with through wiring
- ▶ Sensor luminaire models see more accurate information at WEB-site
- PIR-models:
To the ceiling max. 4 meters height
To the wall 1,7- 2,7 meters height
- RADAR-models:
To the ceiling max. 3,5 meters height
To the wall 1,7- 2,7 meters height
- Suitable for stand-alone and master-slave installation
Maximum load behind one master is 400VA, however max. 5 luminaires in the same control group
Slave luminaires from the Ensto basic luminaire range



E number	Type	Product name	Output	Base	Kg	Additional information
AVD550 LED with polycarbonate diffuser						
42 903 16	AVD550.139L	AVD550 LED 39W/840 PC O	39W	LED	3,2	
42 903 17	AVD550.139L/3K	AVD550 LED 39W/830 PC O	39W	LED	3,2	
42 903 14	AVD550.139DDL	AVD550 LED 39W/840 PC O DALI	39W	LED	3,2	DALI
42 903 19	AVD550.139DDL/3K	AVD550 LED 39W/830 PC O DALI	39W	LED	3,2	DALI
AVD550 luminaires with electronic control gear						
42 171 22	AVD550.236E	AVD550 IP21 2xTC-L 36W E PC O		2G11	3,0	
AVD550 luminaires with DSI/DALI dimmable electronic control gear						
42 171 21	AVD550.236DB	AVD550 IP21 2xTC-L 36W DB PC O		2G11	3,9	
AVD550 accessories						
42 171 37	AVL550	AVD550 recessed mounting fastening				
42 171 39	AVL551	Wire suspension set for AVD550 luminaires				
42 171 42	AVL552	Flush mounting frame for AVD550 luminaires, 600 mm x 600 mm				

