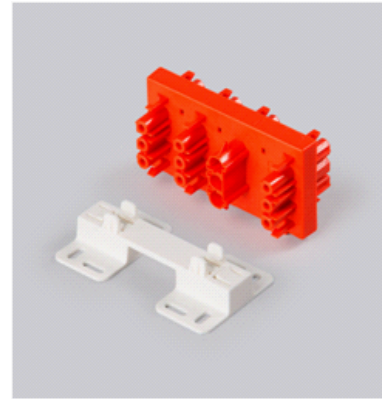
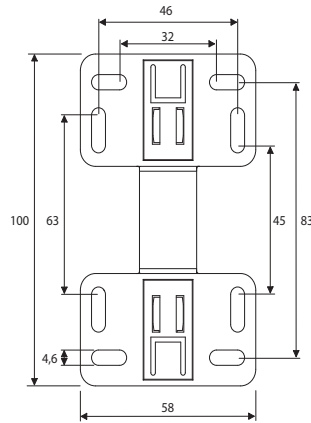
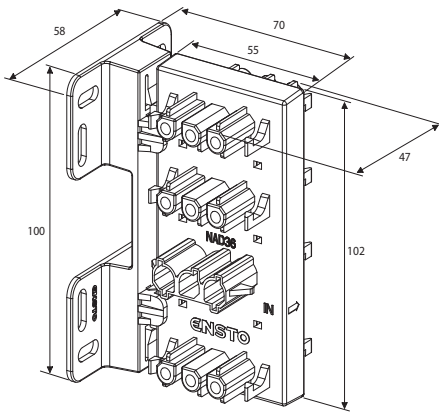




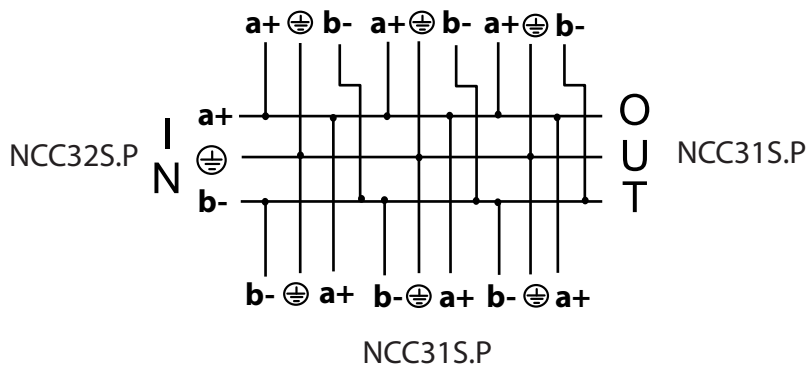
EnstoNet

NCD36.P

250V 20A IP20



NCC31S.P



NCD36.P

3-pole red distribution block, 7 outputs

With distribution block NCD36.P a single phase supply is divided into 7 outputs.

The distribution block can be fixed to e.g. a mounting plate with the mounting foot supplied with the distribution block using 4 screws, max. \varnothing 4.2 mm. The distribution block does also partly fit into a min. 70 mm wide lighting track. In this case no separate mounting foot is needed.

Type	NCD36.P
Description	3-pole red distribution block, 7 outputs
Voltage	250 V
Current	20 A
IP Class	IP20
EAN code	6418677724190
Sstl No. (FI)	1934245
E Nr. (SE)	1270674
EI Nr. (N)	
Weight/ pce	105 g
Pack Qty	10
Approvals	FI