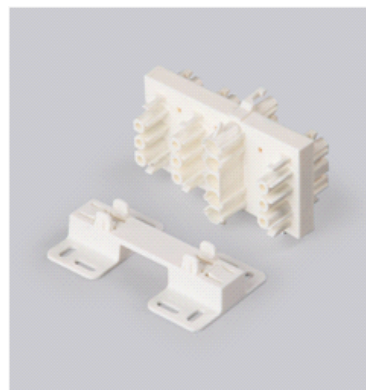
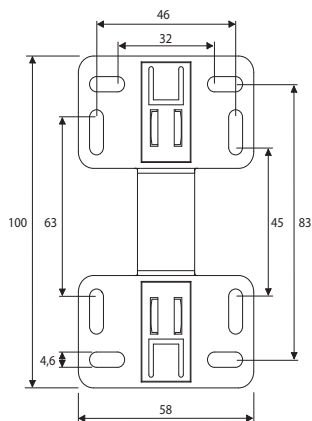
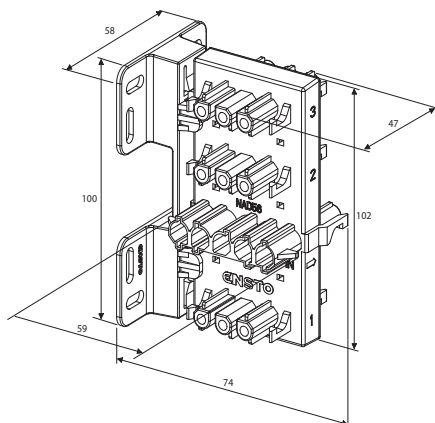


ENSTO

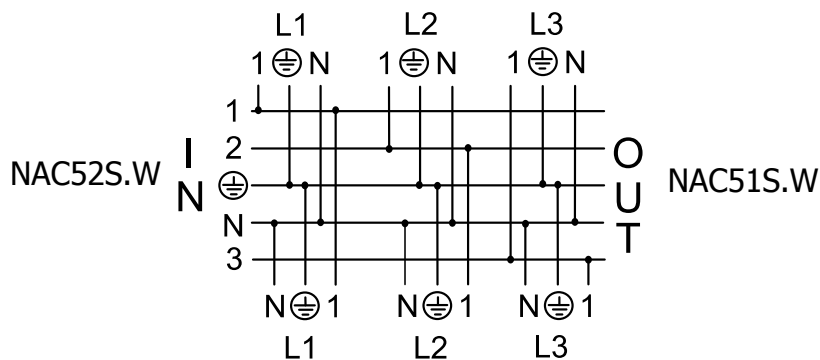
EnstoNet

NAD56.W

250/400V 20A IP20



NAC31S.W



NAC31S.W

NAD56.W

Distribution block, 3 phase continuous, 6x1 phase outputs, white

With distribution block NAD56.W a 3 phase supply is branched into 6 single phase outputs. 3 phase supply can be continued through the block to e.g. the following distribution block.

The distribution block can be fixed to e.g. a mounting plate with the mounting foot supplied with the distribution block using 4 screws, max. \varnothing 4.2 mm. The distribution block does also partly fit into a min. 70 mm wide lighting track. In this case no separate mounting foot is needed.

Type	NAD56.W
Description	Distribution block, 3 phase continuous, 6x1 phase outputs, white
Voltage	250/400 V
Current	20 A
IP Class	IP20
EAN code	6418677724121
Sstl No. (FI)	1934238
E Nr. (SE)	1270675
EI Nr. (N)	
Weight/ pce	117 g
Pack Qty	10
Approvals	FI