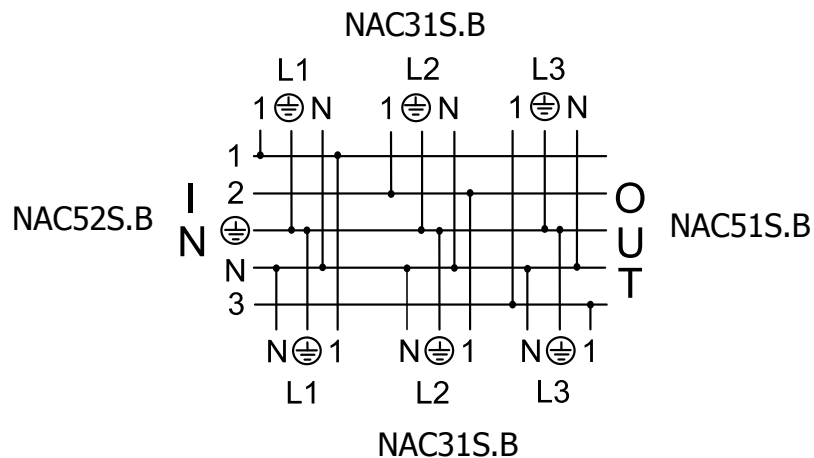
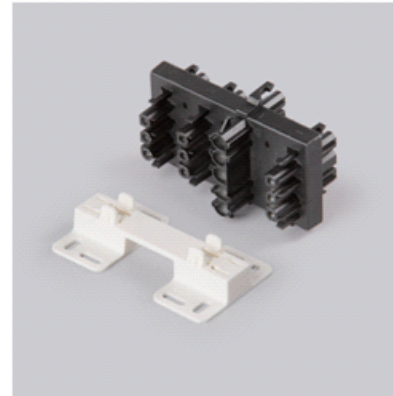
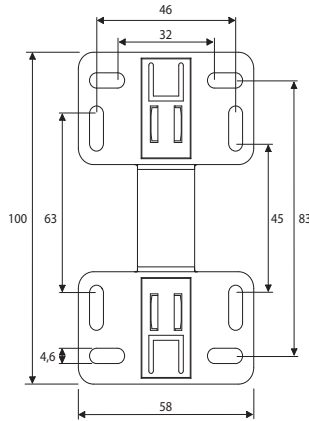
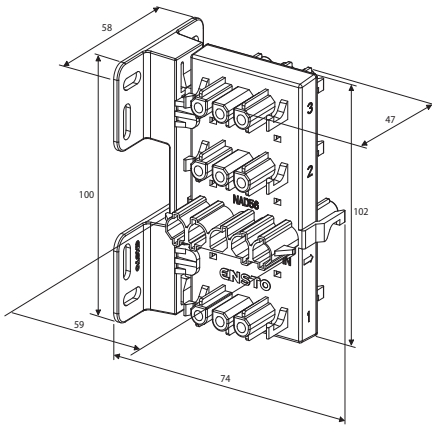




EnstoNet NAD56.B

250/400V 20A IP20



NAD56.B

Distribution block, 3 phase continuous, 6x1 phase outputs, black

With distribution block NAD56.B a 3 phase supply is branched into 6 single phase outputs. 3 phase supply can be continued through the block to e.g. the following distribution block.

The distribution block can be fixed to e.g. a mounting plate with the mounting foot supplied with the distribution block using 4 screws, max. \varnothing 4.2 mm. The distribution block does also partly fit into a min. 70 mm wide lighting track. In this case no separate mounting foot is needed.

| | |
|---------------|--|
| Type | NAD56.B |
| Description | Distribution block, 3 phase continuous, 6x1 phase outputs, black |
| Voltage | 250/400 V |
| Current | 20 A |
| IP Class | IP20 |
| EAN code | 6418677724138 |
| Sstl No. (FI) | 1934239 |
| E Nr. (SE) | 1270676 |
| EI Nr. (N) | |
| Weight/ pce | 117 g |
| Pack Qty | 10 |
| Approvals | FI |