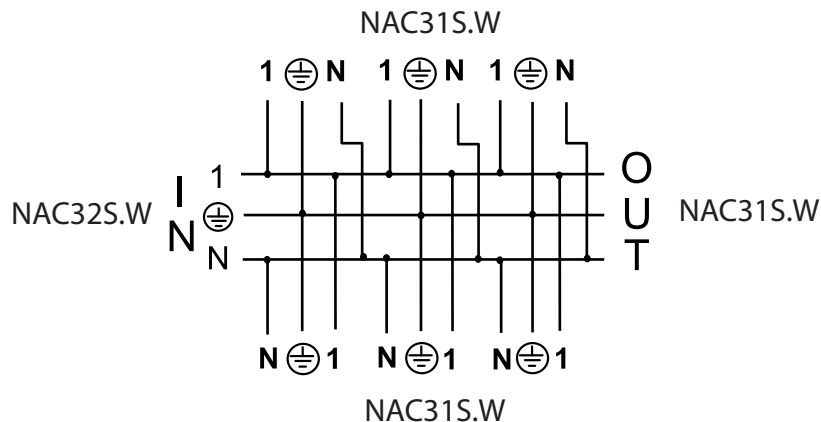
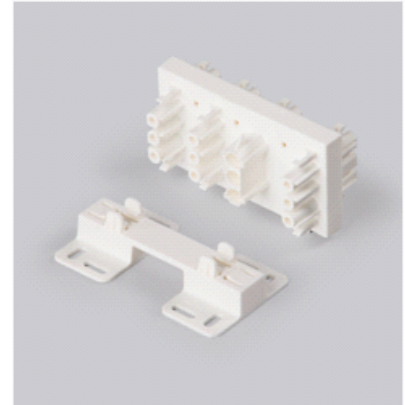
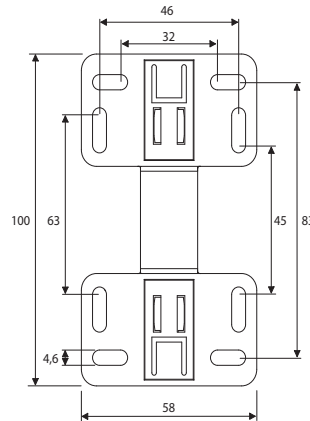
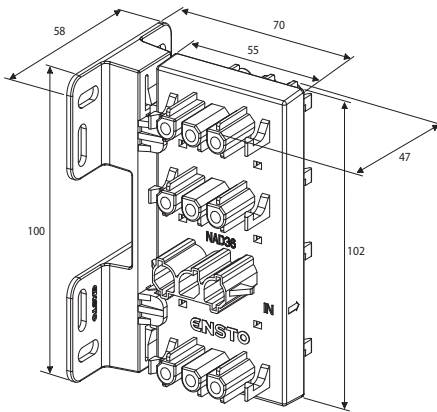


ENSTO

EnstoNet

NAD36.W

250V 20A IP20



NAD36.W

3-pole white distribution block, 7 outputs

With distribution block NAD36.W a single phase supply is branched into 7 outputs.

The distribution block can be fixed to e.g. a mounting plate with the mounting foot supplied with the distribution block using 4 screws, max. \varnothing 4.2 mm. The distribution block does also partly fit into a min. 70 mm wide lighting track. In this case no separate mounting foot is needed.

Type	NAD36.W
Description	3-pole white distribution block, 7 outputs
Voltage	250 V
Current	20 A
IP Class	IP20
EAN code	6418677724152
Sstl No. (FI)	1934241
E Nr. (SE)	1270670
EI Nr. (N)	
Weight/ pce	105 g
Pack Qty	10
Approvals	FI