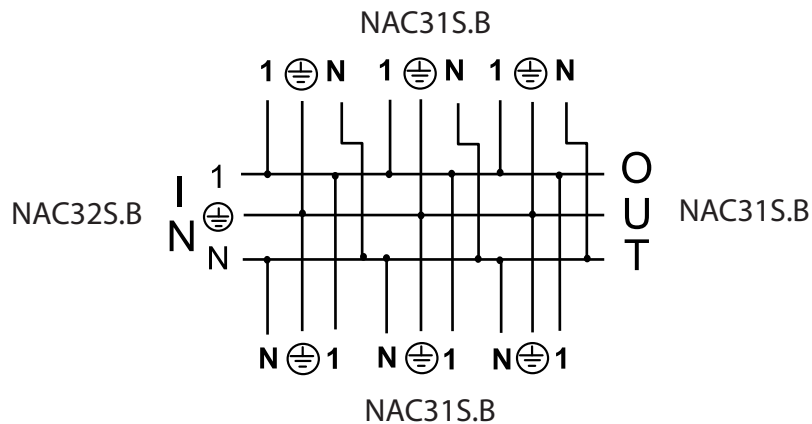
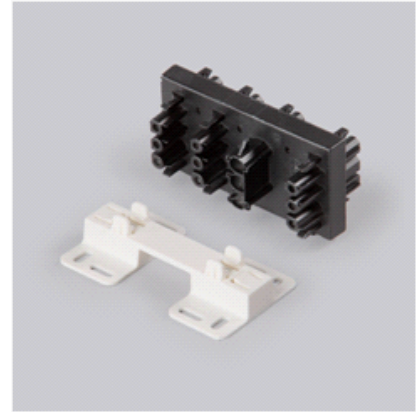
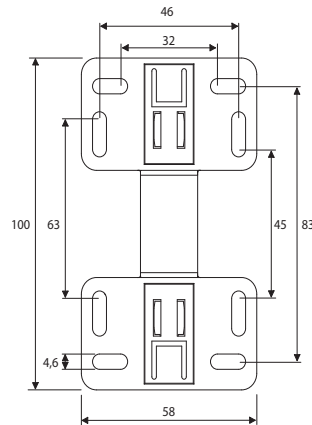
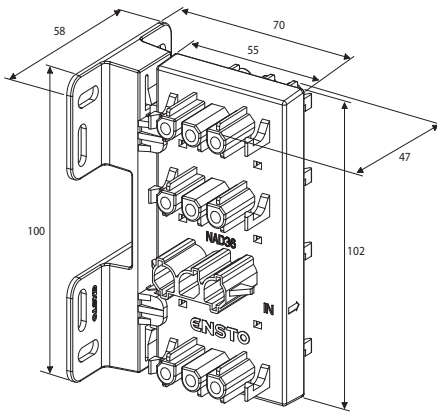


ENSTO

EnstoNet NAD36.B

250V 20A IP20



NAD36.B

3-pole black distribution block, 7 outputs

With distribution block NAD36.B a single phase supply is branched into 7 outputs.

The distribution block can be fixed to e.g. a mounting plate with the mounting foot supplied with the distribution block using 4 screws, max. \varnothing 4.2 mm. The distribution block does also partly fit into a min. 70 mm wide lighting track. In this case no separate mounting foot is needed.

Type	NAD36.B
Description	3-pole black distribution block, 7 outputs
Voltage	250 V
Current	20 A
IP Class	IP20
EAN Code	6418677724169
Sstl No. (FI)	1934242
E No. (SE)	1270671
EI No. (N)	
Weight/ pce	105 g
Pack Qty	10
Approval	FI