

Product Environmental Profile

P31 cable tray system
Pre galvanised finishing



LEGRAND'S ENVIRONMENTAL COMMITMENTS

- Incorporate environmental management into our industrial sites**

Of all Legrand sites worldwide, over 85% are ISO 14001-certified (sites belonging to the Group for more than five years).

- Offer our customers environmentally friendly solutions**

Develop innovative solutions to help our customers design more energy efficient, better managed and more environmentally friendly installations.

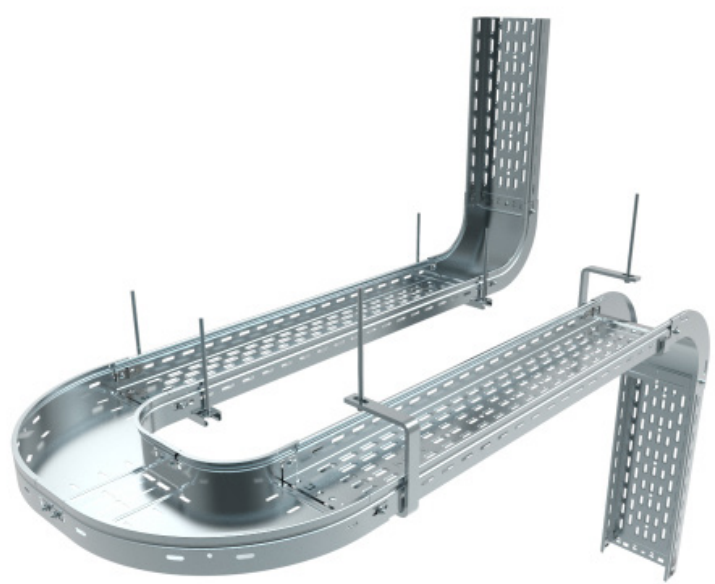
- Involve the environment in product design and provide informations in compliance with ISO 14025**

Reduce the environmental impact of products over their whole life cycle.

Provide our customers with all relevant information (composition, consumption, end of life, etc.).



REFERENCE PRODUCT

Function	Support the wiring along 1 meter for a reference life time of 20 years. The cable tray system, capable of supporting a load of 85,5 kg per meter on a span of 1,5 m, includes the profile and cable management and support accessories typical of standard use.
Reference Product	 <p style="text-align: center;">LG-480113 - LG-480803 - LG-480813 - 8 x LG-341895 - LG-480753 - LG-585367 - LG-350830 - 2 x LG-349252</p> <p style="text-align: center;">P31 60x200 cable tray system - PG finishing</p>

The company reserves the right to change specifications and designs without notice. All illustrations, descriptions, dimensions and weights in the document are for guidance and cannot be held binding on the company.



PRODUCTS CONCERNED

The environmental data is representative of the following products: the whole offer of P31 cable tray system, PG finishing, as presented in catalogs (list of codes available upon request through our Technical Customer Service).

Product Environmental Profile

P31 cable tray system
Pre galvanised finishing



■ CONSTITUENT MATERIALS

This Reference Product contains no substances prohibited by the regulations applicable at the time of its introduction to the market. It respects the restrictions on use of hazardous substances as defined in the RoHS directive 2011/65/EU and its delegated directive 2015/863/EU.

Total weight of Reference Product	2055 g (all packaging included)
--	--

Plastics as % of weight		Metals as % of weight		Other as % of weight	
		Steel	89,5 %		
		Copper alloys	0,3 %		
		Aluminium	< 0,1 %		
Packaging					
Polyethylene	0,4 %			Wood	8,0 %
Polypropylene	0,1 %			Paper / Cardboard	1,7 %
PET	< 0,1 %				
Total plastics	0,5 %	Total metals	89,8 %	Total others	9,7 %

Estimated recycled material content: 33 % by mass.



■ MANUFACTURE

This Reference Product comes from sites that, in their majority, have received ISO 14001 certification.



■ DISTRIBUTION

Products are distributed from logistics centres located with a view to optimize transport efficiency. The Reference Product is therefore transported over an average distance of 620 km by road from our warehouse to the local point of distribution into the international market.

Packaging is compliant with european directive 2004/12/EU concerning packaging and packaging waste. At their end of life, its recyclability rate is 91 % (in % of packaging weight).



■ INSTALLATION

For the installation of the product, only standard tools are needed.



■ USE

Under normal conditions of use, this product requires no servicing, no maintenance or additional products.

Product Environmental Profile

P31 cable tray system
Pre galvanised finishing



END OF LIFE

The product end-of-life factors are taken into account during the design phase. Dismantling and sorting of components or materials is made as easy as possible with a view to recycling or failing that, another form of reuse.

• Recyclability rate:

Calculated using the method described in technical report IEC/TR 62635, the recyclability rate of the product is estimated at 99 %. This value is based on data collected from a technological channel operating on an industrial basis. It does not pre-validate the effective use of this channel for the end of life of this product.

Separated into:

- metal materials (excluding packaging) : 90 %
- packaging (all types of materials) : 9 %



ENVIRONMENTAL IMPACTS

The evaluation of environmental impacts examines the stages of the Reference Product life cycle: manufacturing, distribution, installation, use and end-of-life. It is representative from products marketed and used all over the world, in compliance with the local current standards.

For each phase, the following modelling elements were taken in account:

Manufacture	Materials and components of the product, all transport for the manufacturing, the packaging and the waste generated by the manufacturing.
Distribution	Transport between the last Group distribution centre and an average delivery point in the sales area.
Installation	The end of life of the packaging.
Use	<ul style="list-style-type: none"> • Product category: PSR-0003-ed1.1-EN-2015 10 16, § 3.2.2.1. Cable tray systems. • Use scenario: no energy consumption during the 20 years working life. This modelling duration does not constitute a minimum durability requirement. • Energy model: Electricity Mix Europe 27 - 2008.
End of life	The default end of life scenario maximizing the impacts.
Software and database used	EIME V5 and its database «CODDE-2018-11»

Product Environmental Profile

P31 cable tray system
Pre galvanised finishing



SELECTION OF ENVIRONMENTAL IMPACTS

	Total for Life cycle		Raw material and manufacture		Distribution		Installation		Use		End of life	
	Value	Unit	Value	%	Value	%	Value	%	Value	%	Value	%
Global warming	8.31E+00	kgCO ₂ eq.	8.11E+00	98%	6.34E-02	< 1%	2.05E-02	< 1%	0.00E+00	0%	1.19E-01	1%
Ozone depletion	2.34E-07	kgCFC-11 eq.	2.33E-07	100%	1.28E-10	< 1%	1.22E-10	< 1%	0.00E+00	0%	7.58E-10	< 1%
Acidification of soils and water	2.16E-02	kgSO ₂ eq.	2.07E-02	96%	2.85E-04	1%	8.97E-05	< 1%	0.00E+00	0%	5.02E-04	2%
Water eutrophication	3.03E-03	kg(PO ₄) ³⁻ eq.	2.04E-03	67%	6.55E-05	2%	8.79E-05	3%	0.00E+00	0%	8.40E-04	28%
Photochemical ozone formation	2.84E-03	kgC ₂ H ₄ eq.	2.78E-03	98%	2.02E-05	< 1%	6.55E-06	< 1%	0.00E+00	0%	3.76E-05	1%
Depletion of abiotic resources - elements	8.05E-05	kgSb eq.	8.05E-05	100%	2.54E-09	< 1%	8.77E-10	< 1%	0.00E+00	0%	4.98E-09	< 1%
Total use of primary energy	4.71E+02	MJ	4.68E+02	99%	8.97E-01	< 1%	2.70E-01	< 1%	0.00E+00	0%	1.49E+00	< 1%
Net use of fresh water	1.21E+00	m ³	1.21E+00	100%	5.68E-06	< 1%	4.84E-06	< 1%	0.00E+00	0%	3.03E-05	< 1%
Depletion of abiotic resources - fossil fuels	8.44E+01	MJ	8.18E+01	97%	8.91E-01	1%	2.64E-01	< 1%	0.00E+00	0%	1.45E+00	2%
Water pollution	1.38E+02	m ³	1.08E+02	78%	1.04E+01	8%	3.09E+00	2%	0.00E+00	0%	1.69E+01	12%
Air pollution	1.12E+03	m ³	1.11E+03	99%	2.60E+00	< 1%	1.27E+00	< 1%	0.00E+00	0%	6.70E+00	< 1%

The values of the 27 impacts defined in the PCR-ed3-EN-2015 04 02 are available in the digital database of pep-ecopassport.org website.

For products covered by the PEP other than the Reference Product, the environmental impacts of each phase of the lifecycle are calculated multiplying the values of environmental indicators for the correspondent coefficient:

Section	Coefficient	Section	Coefficient	Section	Coefficient	Section	Coefficient	Section	Coefficient
25x75	0,45	25x500	2,68	50x400	2,05	60x200	1,00	100x150	1.07
25x100	0,51	50x75	0,53	50x500	2,83	60x300	1,34	100x200	1.20
25x150	0,67	50x100	0,60	50x600	3,29	60x400	2.36	100x300	1.59
25x200	0,82	50x150	0,74	60x75	0,61	60x500	3.18	100x400	2.62
25x300	1,15	50x200	0,89	60x100	0,68	60x600	3.53	100x500	3.45
25x400	2,00	50x300	1,45	60x150	0,83	100x100	0.90	100x600	3.91

Registration N°: LGRP-00804-V02.01-EN	Drafting rules: «PEP-PCR-ed3-EN-2015 04 02» Supplemented by «PSR-0003-ed1.1-EN-2015 10 16»
Verifier accreditation N°: VH02	Information and reference documents : www.pep-ecopassport.org
Date of issue: 09-2020	Validity period: 5 years
Independent verification of the declaration and data, in compliance with ISO 14025:2010 Internal <input checked="" type="checkbox"/> External <input type="checkbox"/>	
The PCR review was conducted by a panel of experts chaired by Philippe Osset (SOLINNEN)	
PEP are compliant with XP C08-100-1 : 2014 The elements of the present PEP cannot be compared with elements from another program	
Document in compliance with ISO 14025 : 2010: «Environmental labels and declarations. Type III environmental declarations»	
Environmental data in alignment with EN 15804 : 2012 + A1 : 2013	

