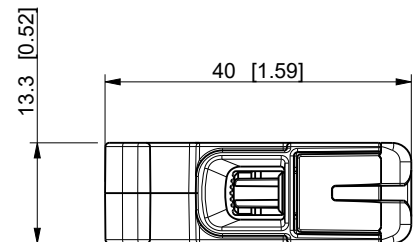
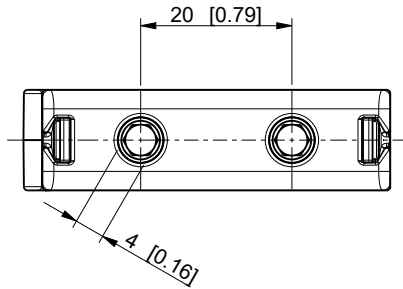
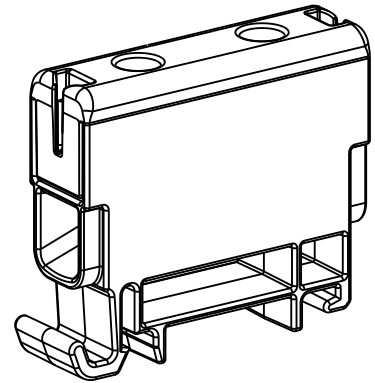
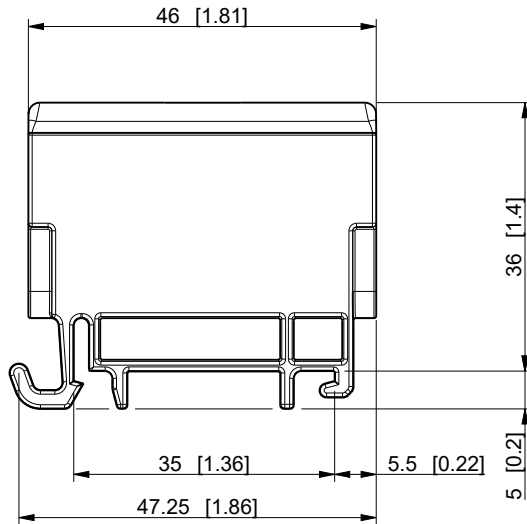



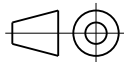
ID	Description	Date	By	Appr.
A		21.5.2024	KA	



Dimensions in mm [inches]

Supplier:	Tool No:	Volume	Weight [g] 24
-----------	----------	--------	---------------

Material:	PDM Mat:
-----------	----------

 		<p>Universal terminal block</p>	Replaces:
<p>Legrand Finland Oy</p>			Replaced:
Scale	Date	<p>21.5.2024</p>	Drw No:
1:1	By		A
A4	Checked		Ref:
Sheet No: 1 (6)	Ctrl		Code: KE60