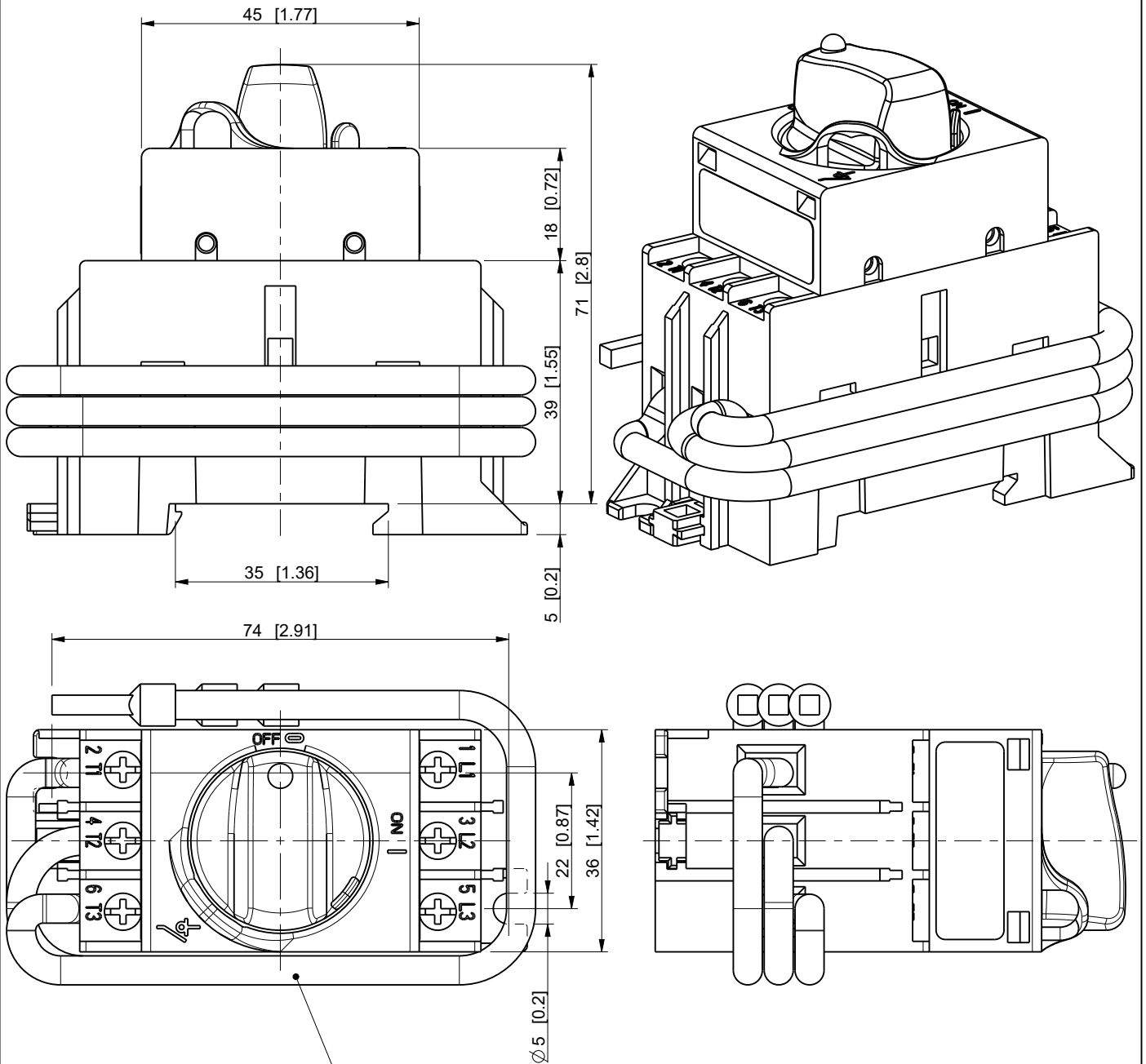

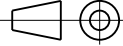


ID	Description	Date	By	Appr.
A		16.5.2018	KA	



Dimensions in mm [inches]

model PROCUS_KS3-XXC PART drawing PROCUS_KS3-XXC DRAWING	Material:		Color: -	Weight (kg): 0.235
	 Ensto Finland Oy Ensto Smart Buildings		 Pre-wired Switch	
	Scale	Date		
	1:1	By	KA	Replaces:
-	Checked		Replaced:	
-	Ctrl		Drw No:	A
			Ref:	
			Code:	KS3.xxC
			Sheet No:	