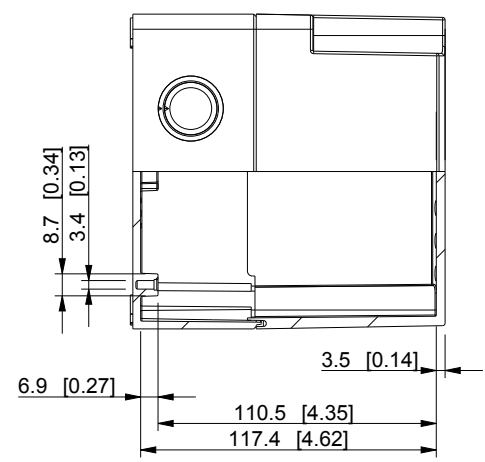
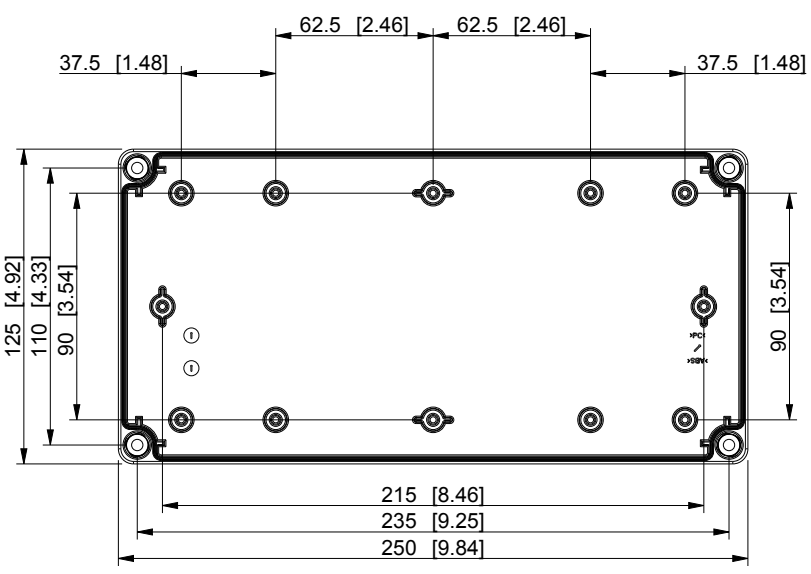
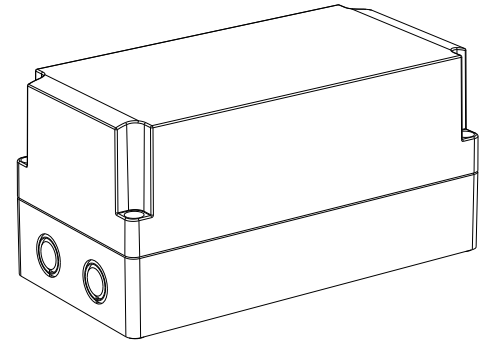
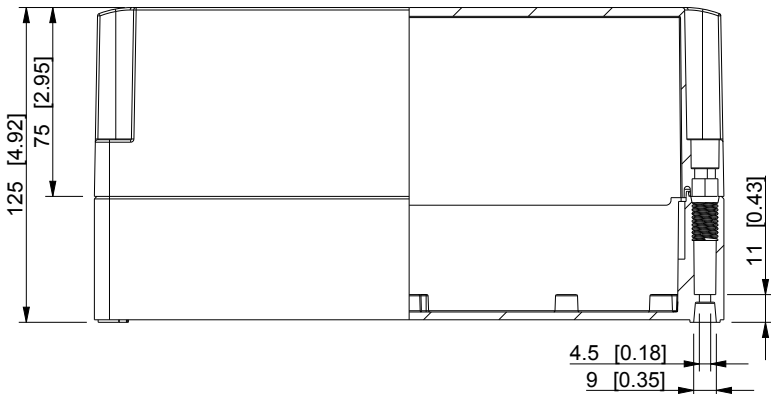



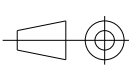
ID	Description	Date	By	Appr.
A				



Dimensions in mm [inches]

Material: Polycarbonate, fiberglass-reinforced	Color: RAL 7035
--	-----------------

model SPCM132513G PART  
drawing CUBOS132513 DRAWING

Supplier:	Tool No:	Weight [kg]: 0.61	Volume:
 <b>Ensto Electrification</b>		<h1>SPCM132513G</h1>	
1:3	8.12.2016	By	KA
-	Checked	Ctrl	

Replaces:	
Replaced:	
Drw No:	- A
Ref:	Cubo S
Code:	SPCM132513G
Sheet No:	