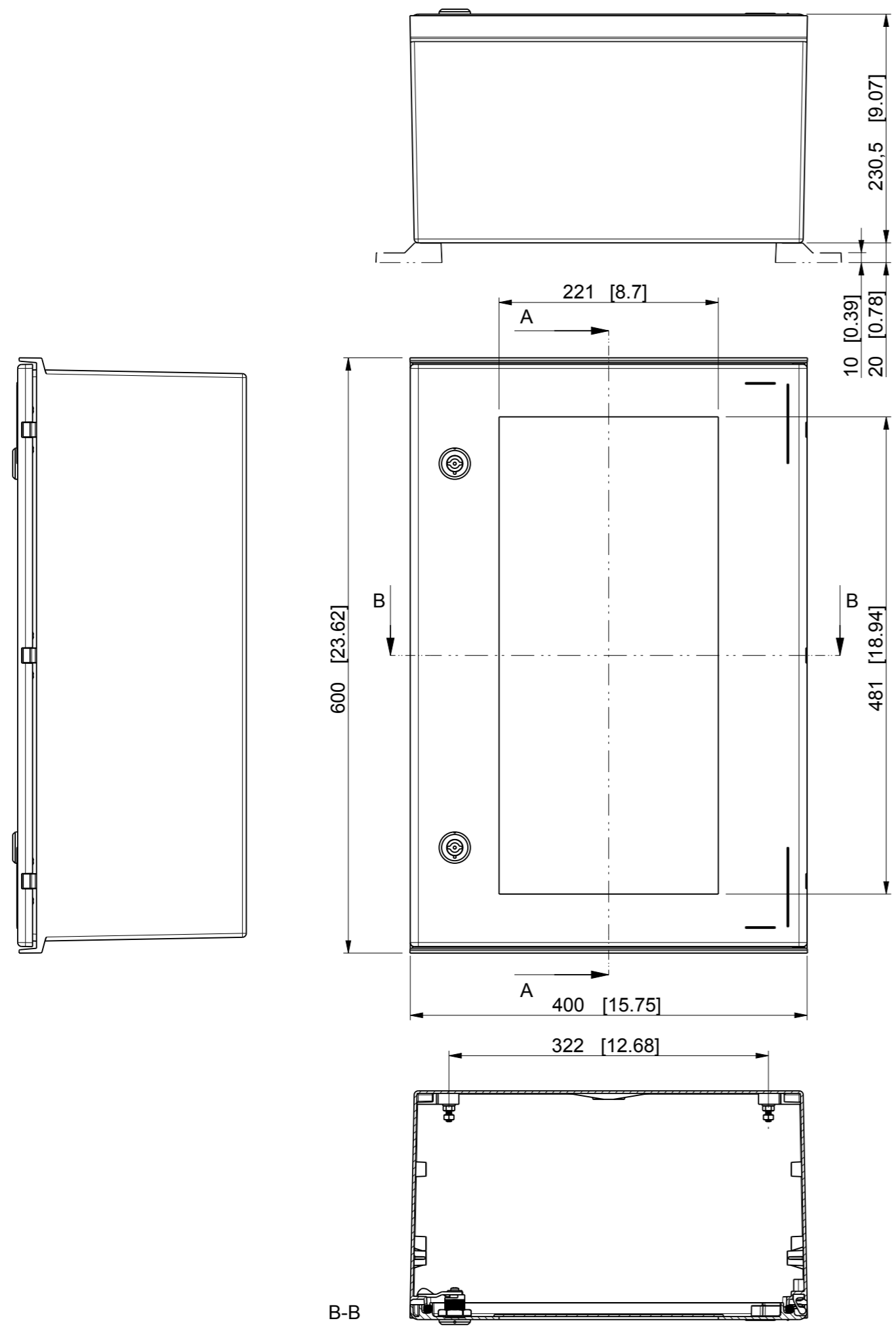


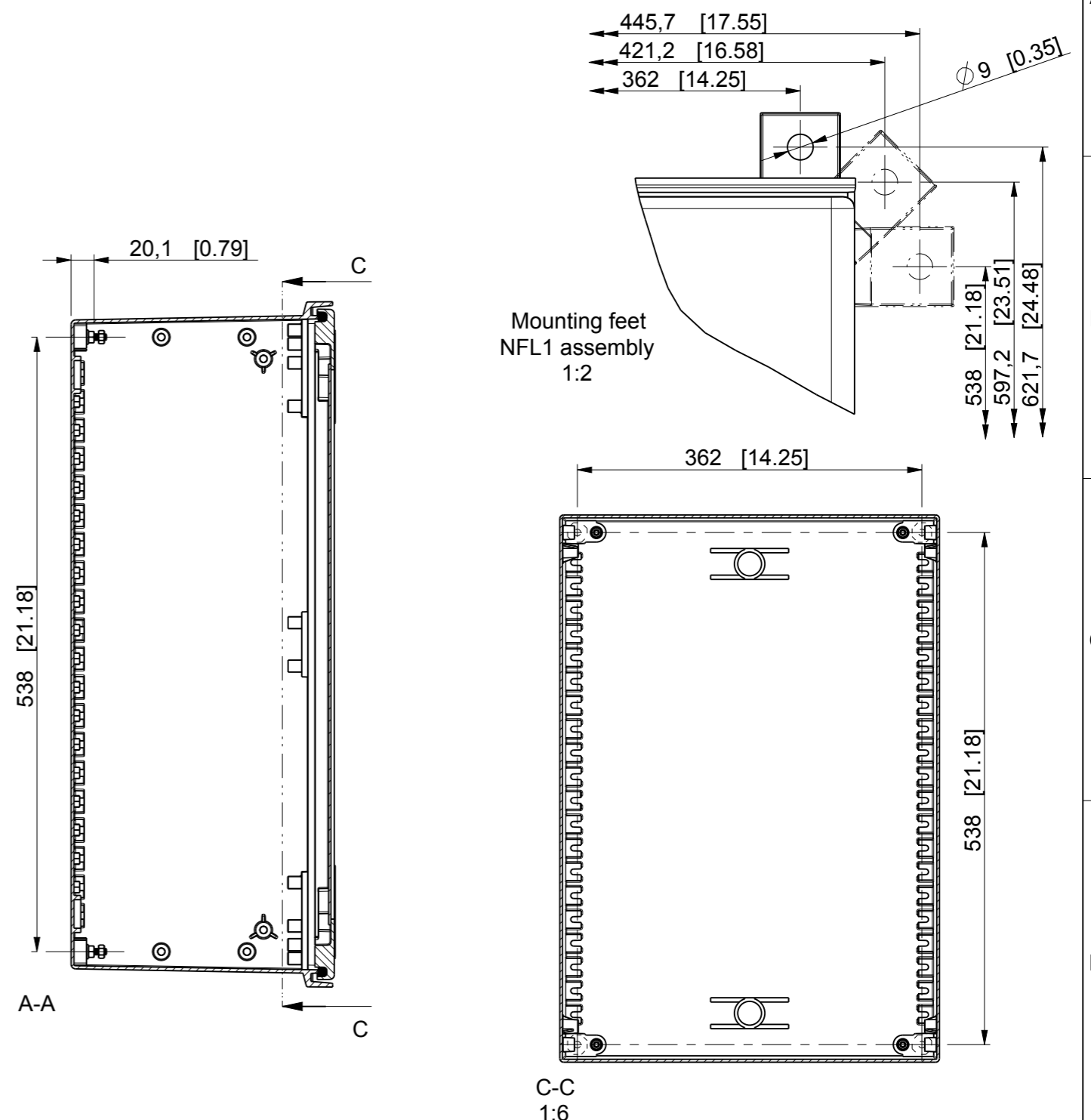
Model Drawing NGRW406023-U\_NFL1.dwg

Tolerance ISO 2768-m

>0,5 =3 ±0,1	>6 =30 ±0,1	>30 =120 ±0,3	>120 =400 ±0,5	>400 =1000 ±0,8
-----------------	----------------	------------------	-------------------	--------------------



ID	Description	Date	By	Appr.
A				



Dimensions in mm [inches]

Supplier: -	Tool No: -	Volume: -	Weight [g]: 0
Material: Glass reinforced polyester		Ensto Mat:	
 Ensto Finland Oy Ensto Electrification		NGRW406023.U UI 508A Industrial panel enclosure	
Scale: 1:5	Date: 25.11.2016	Replaces:	
A3	By: KA	Replaced:	
Sheet No: 1 (1)	Checked:	Drw No:	A
	Ctrl:	Ref:	Cubo N
		Code:	NGRW406023.U