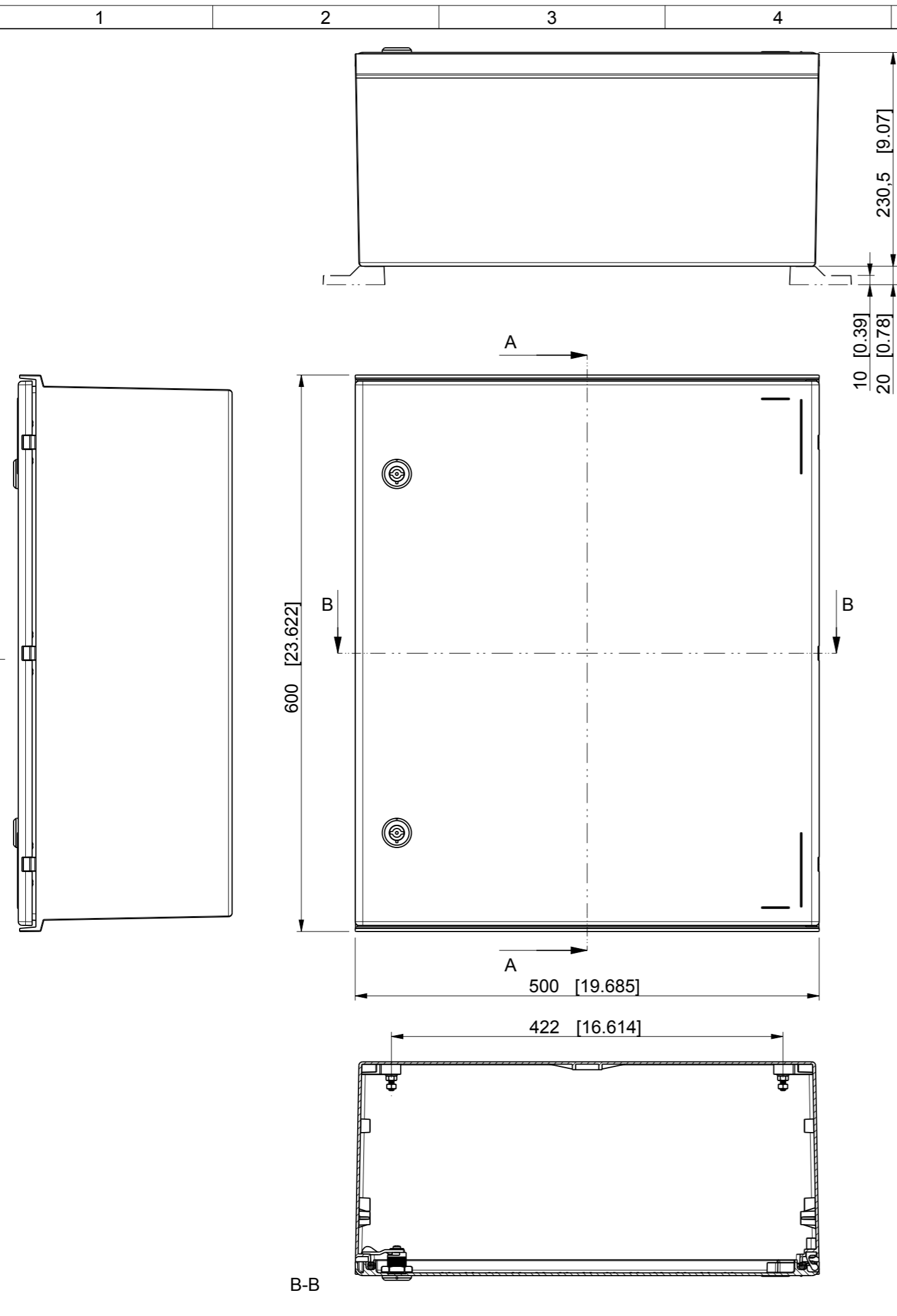
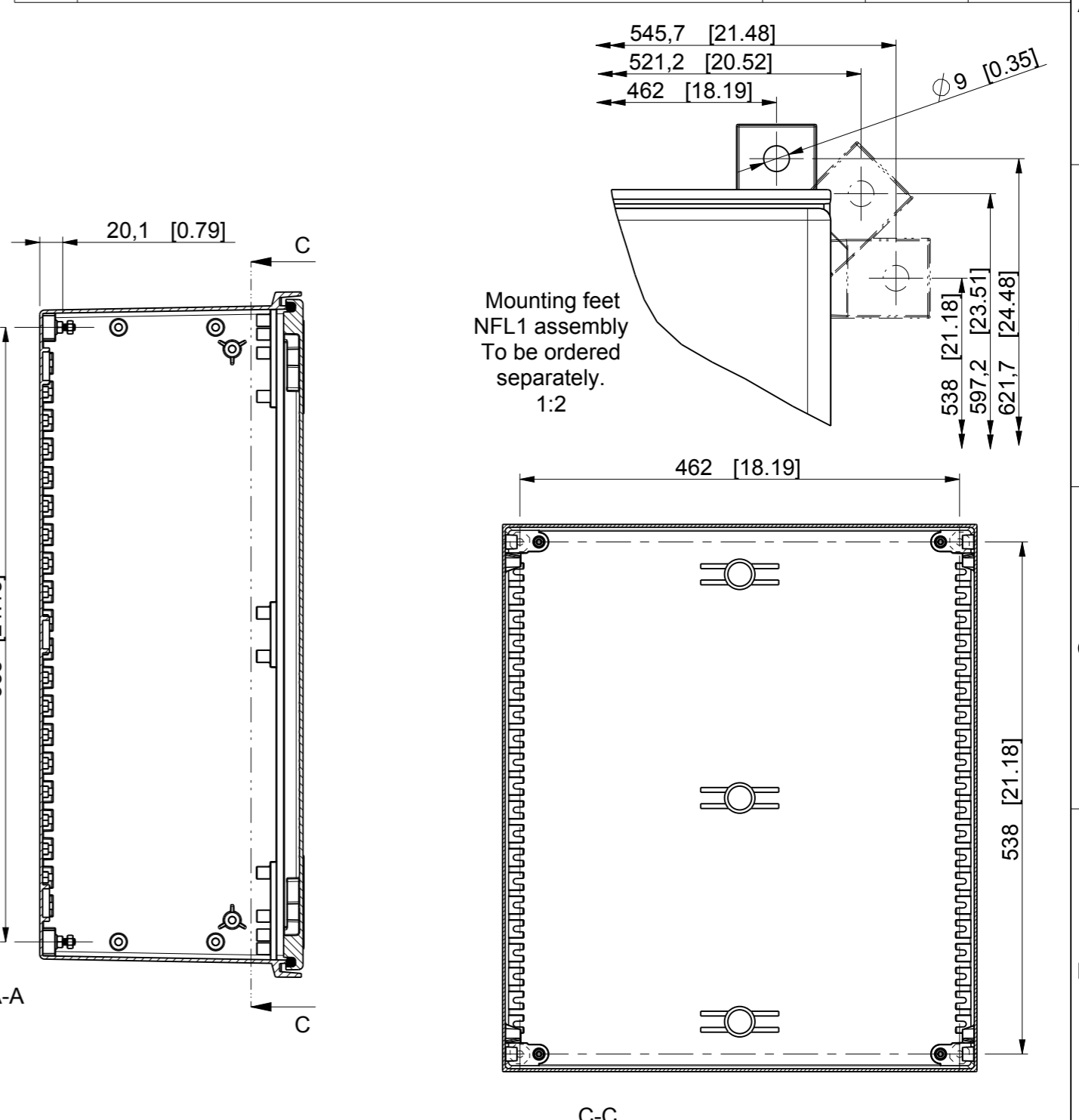


Model: NGRP506023_NFL1.dwg
 Drawing: NGRP506023_NFL1.dwg
 Tolerance ISO 2768-m
 >0,5 =3 ±0,1
 >6 =6 ±0,1
 >30 =120 ±0,3
 >120 =400 ±0,5
 >400 =1000 ±0,8



ID	Description	Date	By	Appr.
A				



Mounting feet NFL1 assembly
 To be ordered separately.
 1:2

C-C
 1:6
 Dimensions in mm [inches]

Supplier: -	Tool No: -	Volume: -	Weight [g]: 0
Material: Glass reinforced polyester		Ensto Mat:	
 ENSTO Ensto Finland Oy Ensto Electrification		NGRP506023 Replaces: Replaced: Drw No: A Ref: Cubo N Code: NGRP506023	
Scale: 1:5 A3	Date: 25.11.2016 By: KA Checked: Ctrl:		
Sheet No: 1 (1)			