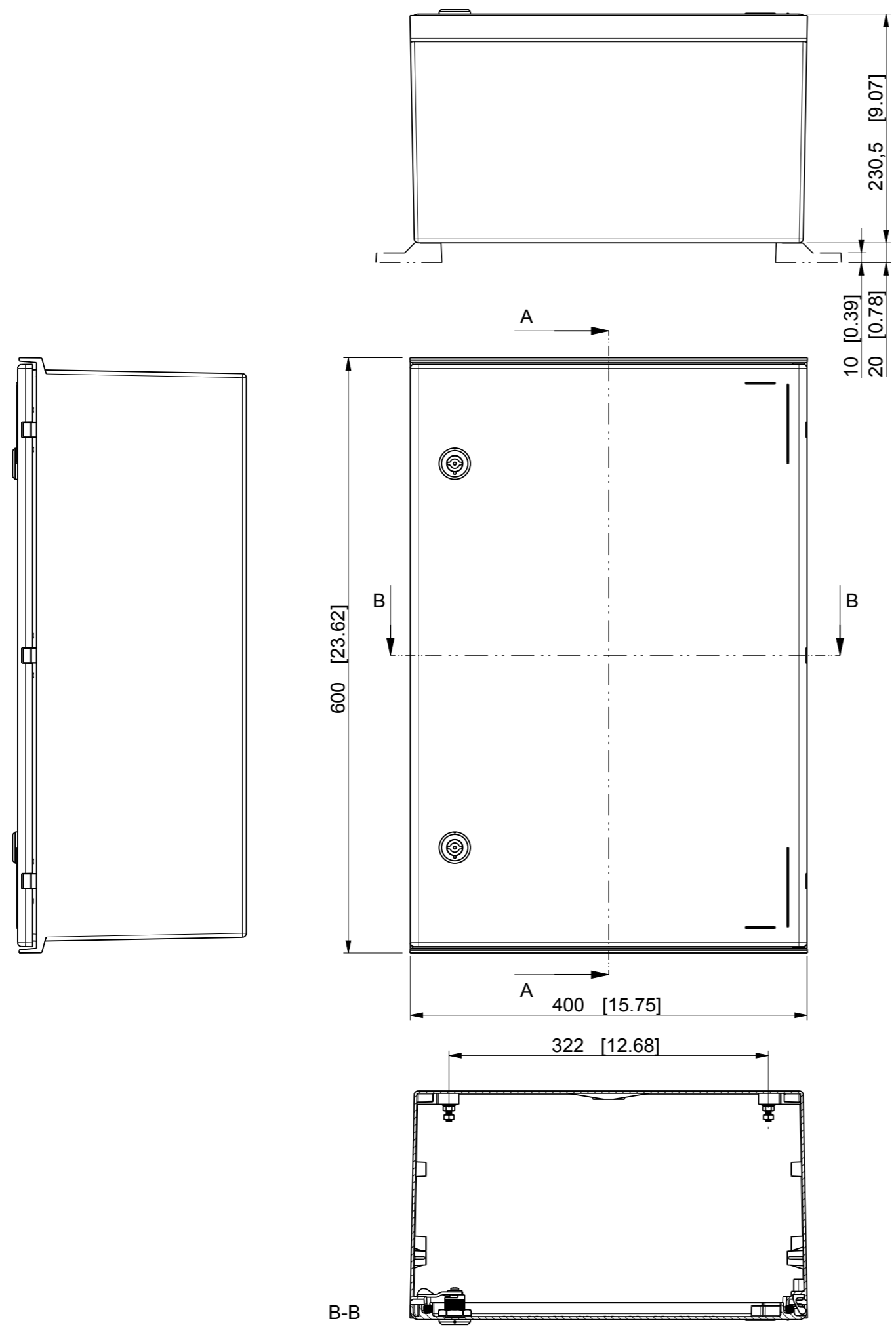
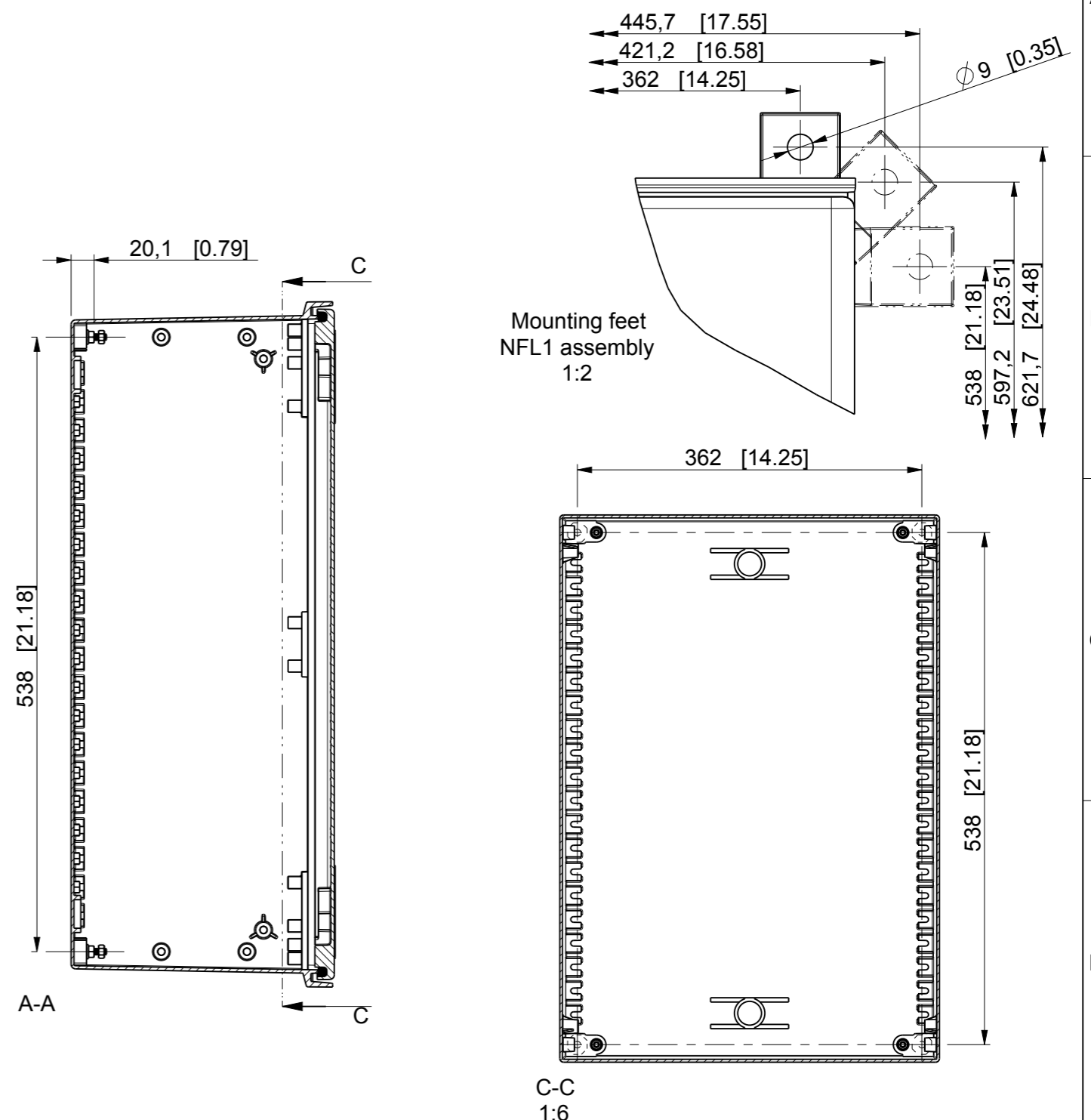


Model: NGRP406023-U_NFL1.dwg
 Drawing: NGRP406023-U_NFL1.dwg
 Tolerance ISO 2768-m
 >0,5 =3 ±0,1
 >6 =6 ±0,1
 >30 =120 ±0,3
 >120 =400 ±0,5
 >400 =1000 ±0,8



ID	Description	Date	By	Appr.
A				



Dimensions in mm [inches]

Supplier:	Tool No:	Volume	Weight [g]	0
Material: Glass reinforced polyester		Ensto Mat:		
 Ensto Finland Oy Ensto Electrification		Replaces: Replaced: Drw No: A Ref: Cubo N Code: NGRP406023.U		
Scale	Date	NGRP406023.U UI 508A Industrial panel enclosure		
1:5	24.11.2016			
A3	By: KA			
Sheet No: 1 (1)	Checked			
	Ctrl			