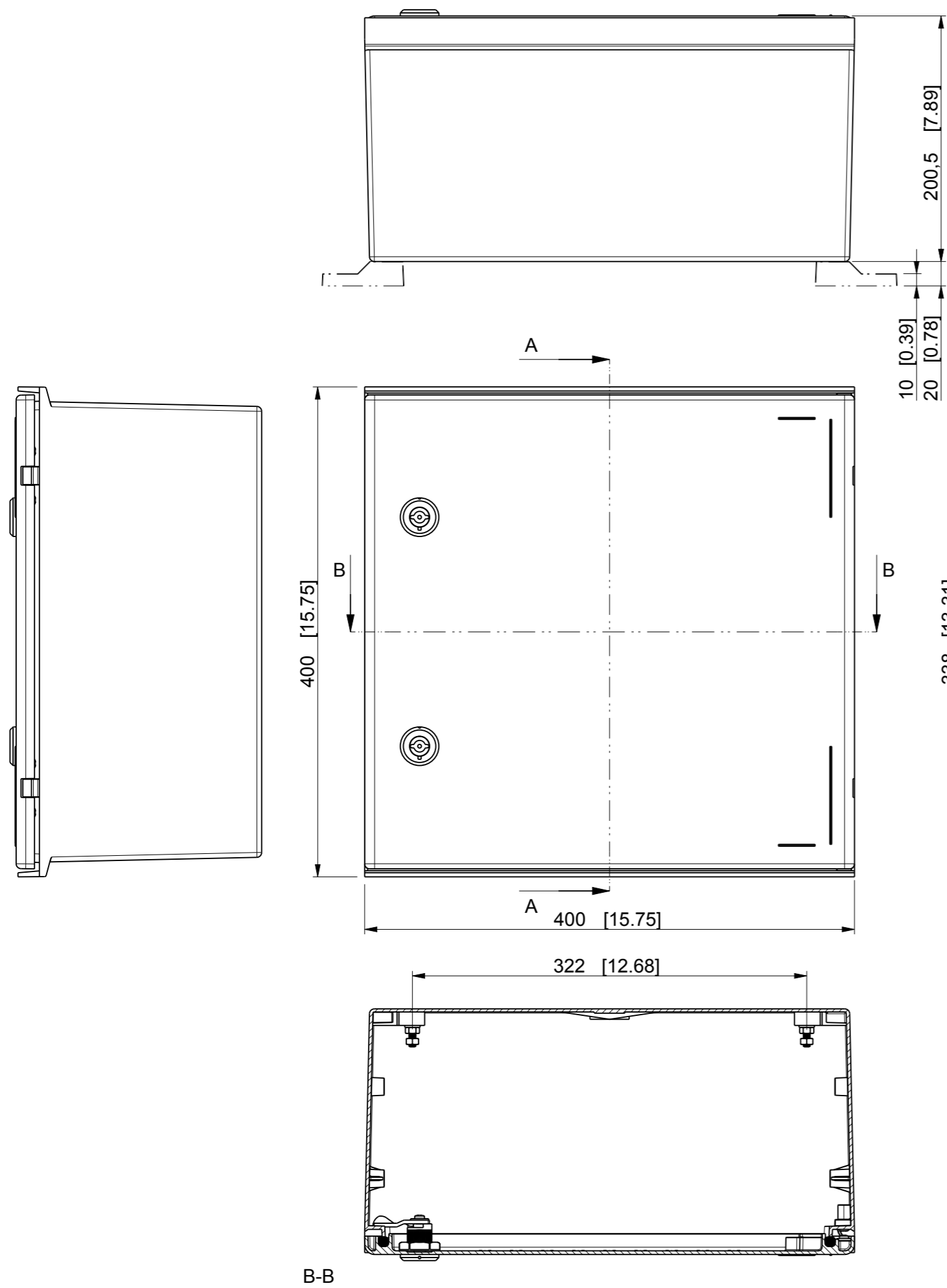
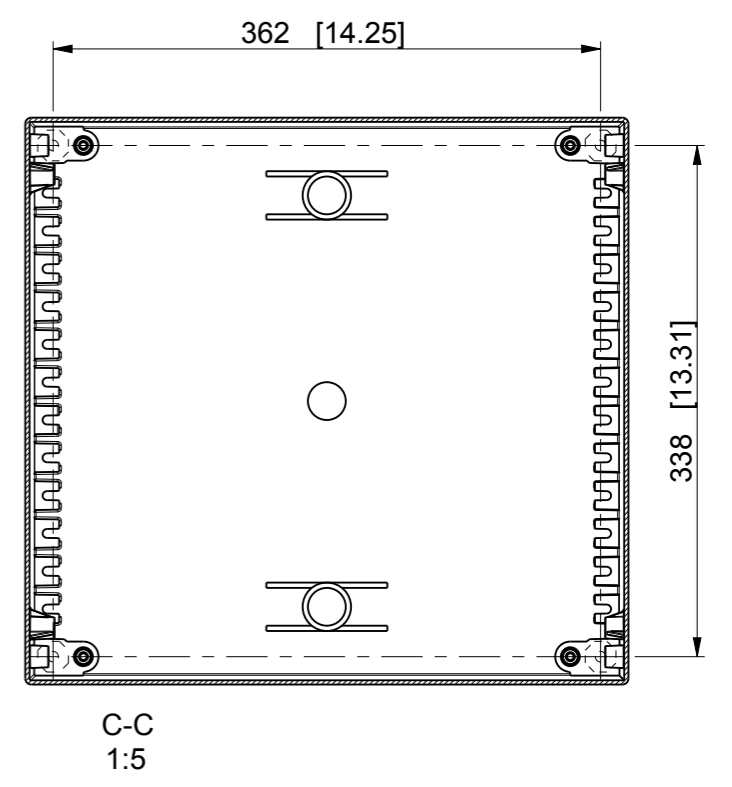
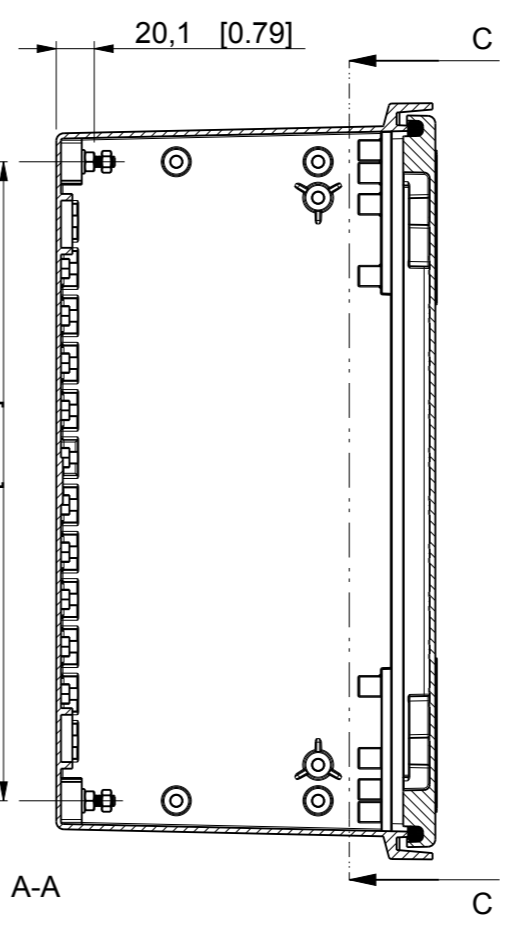
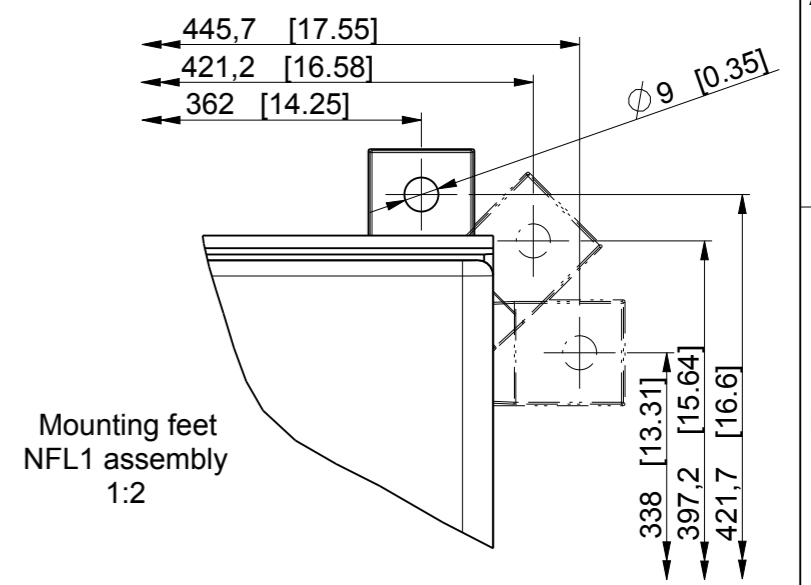


Model: NGRP404020-U_NFL1.dwg
 Drawing: NGRP404020-U_NFL1.dwg
 Tolerance ISO 2768-m
 >0,5 =3 ±0,1
 >6 =30 ±0,2
 >30 =120 ±0,3
 >120 =400 ±0,5
 >400 =1000 ±0,8



| ID | Description | Date | By | Appr. |
|----|-------------|------|----|-------|
| A | | | | |



Dimensions in mm [inches]

| | | | | |
|---|------------|--|------------|---|
| Supplier: | Tool No: | Volume | Weight [g] | 0 |
| Material: Glass reinforced polyester | | Ensto Mat: | | |
| ENSTO Ensto Finland Oy Ensto Electrification | | NGRP404020.U UI 508A Industrial panel enclosure | | |
| Scale | Date | Replaces: | | |
| 1:4 | 24.11.2016 | Replaced: | | |
| A3 | By | Drw No: | | |
| | KA | A | | |
| | Checked | Ref: | | |
| | | Cubo N | | |
| Sheet No: | Ctrl | Code: | | |
| 1 (1) | | NGRP404020.U | | |