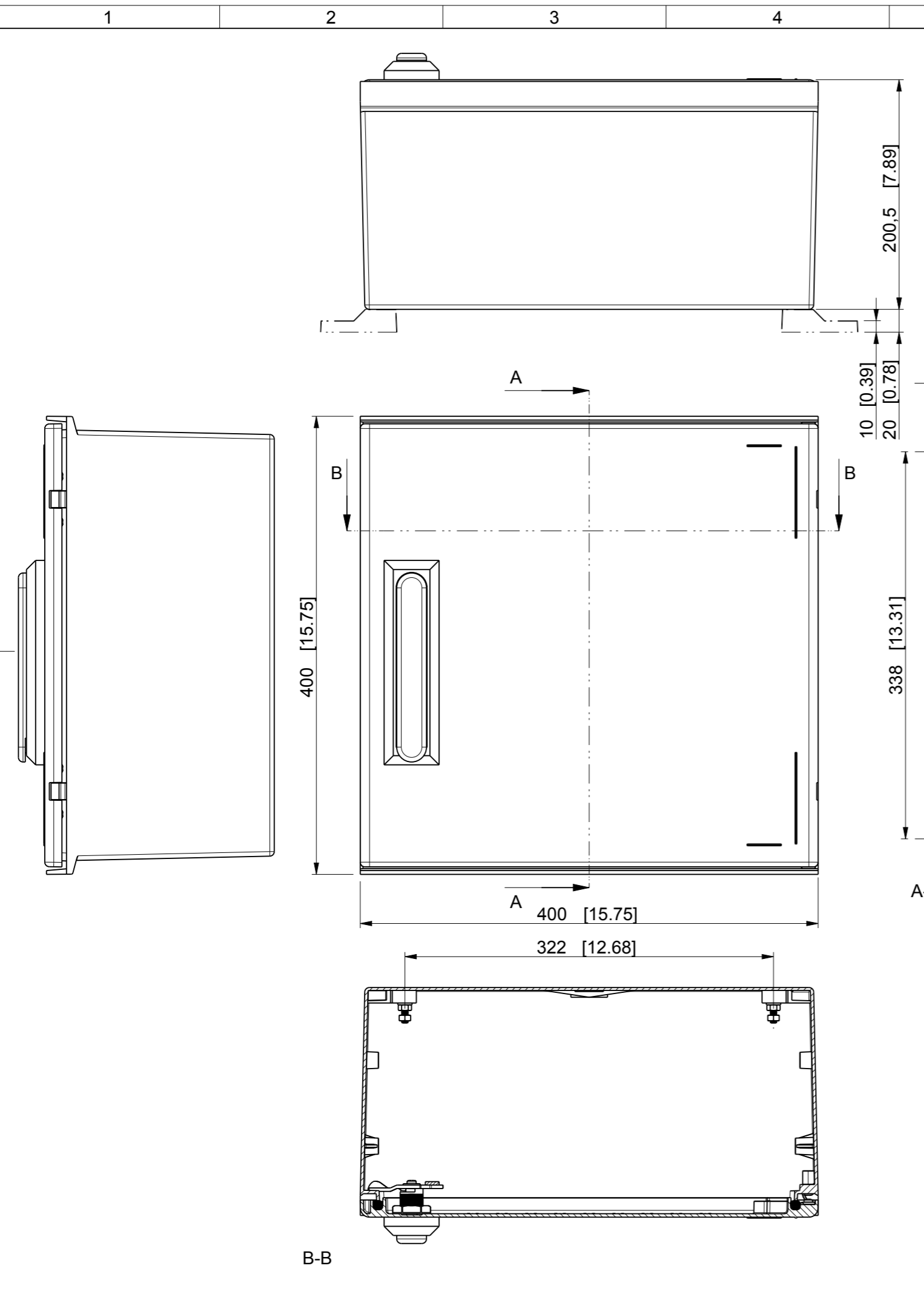
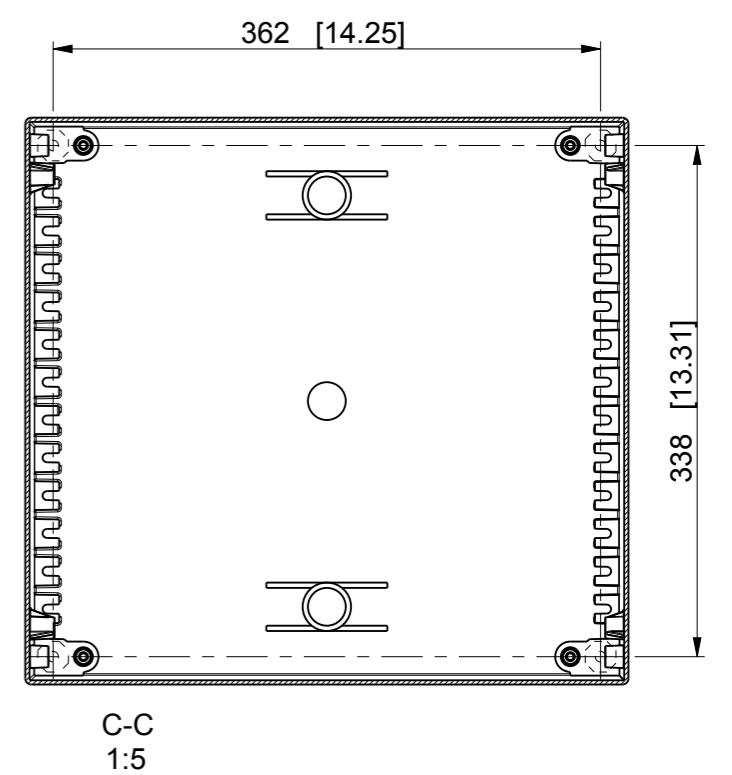
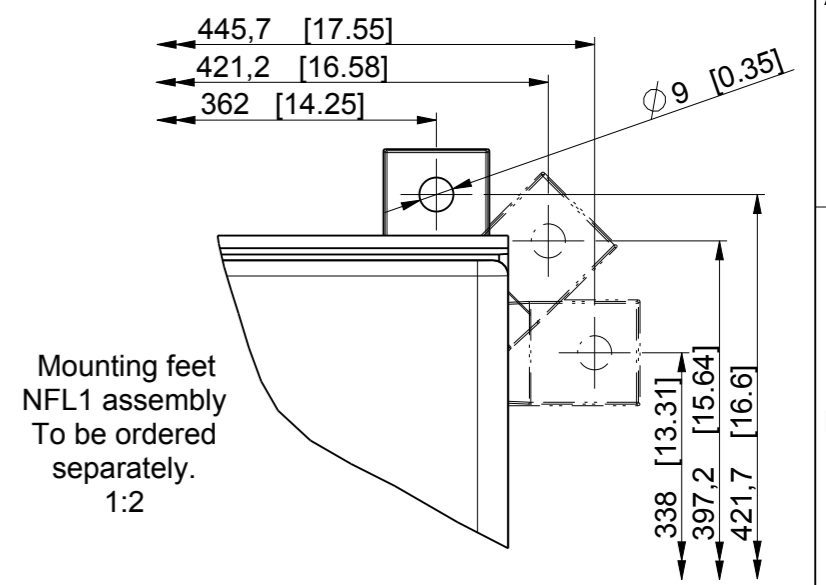


Model: NGRP404020P3SH_NFL1.dwg
 Drawing: NGRP404020P3SH_NFL1.dwg
 Tolerance ISO 2768-m
 >0,5 =3 ±0,1
 >6 =30 ±0,2
 >30 =120 ±0,3
 >120 =400 ±0,5
 >400 =1000 ±0,8



ID	Description	Date	By	Appr.
A				



Dimensions in mm [inches]

Supplier: -	Tool No: -	Volume: -	Weight [g]: 0
Material: Glass reinforced polyester		Ensto Mat:	
 ENSTO Ensto Finland Oy Ensto Electrification		NGRP404020P3SH	Replaces:
Scale: 1:4	Date: 29.11.2016		Replaced:
A3	By: KA		Drw No: A
Sheet No: 1 (1)	Checked:		Ref: Cubo N
	Ctrl:		Code: NGRP404020P3SH