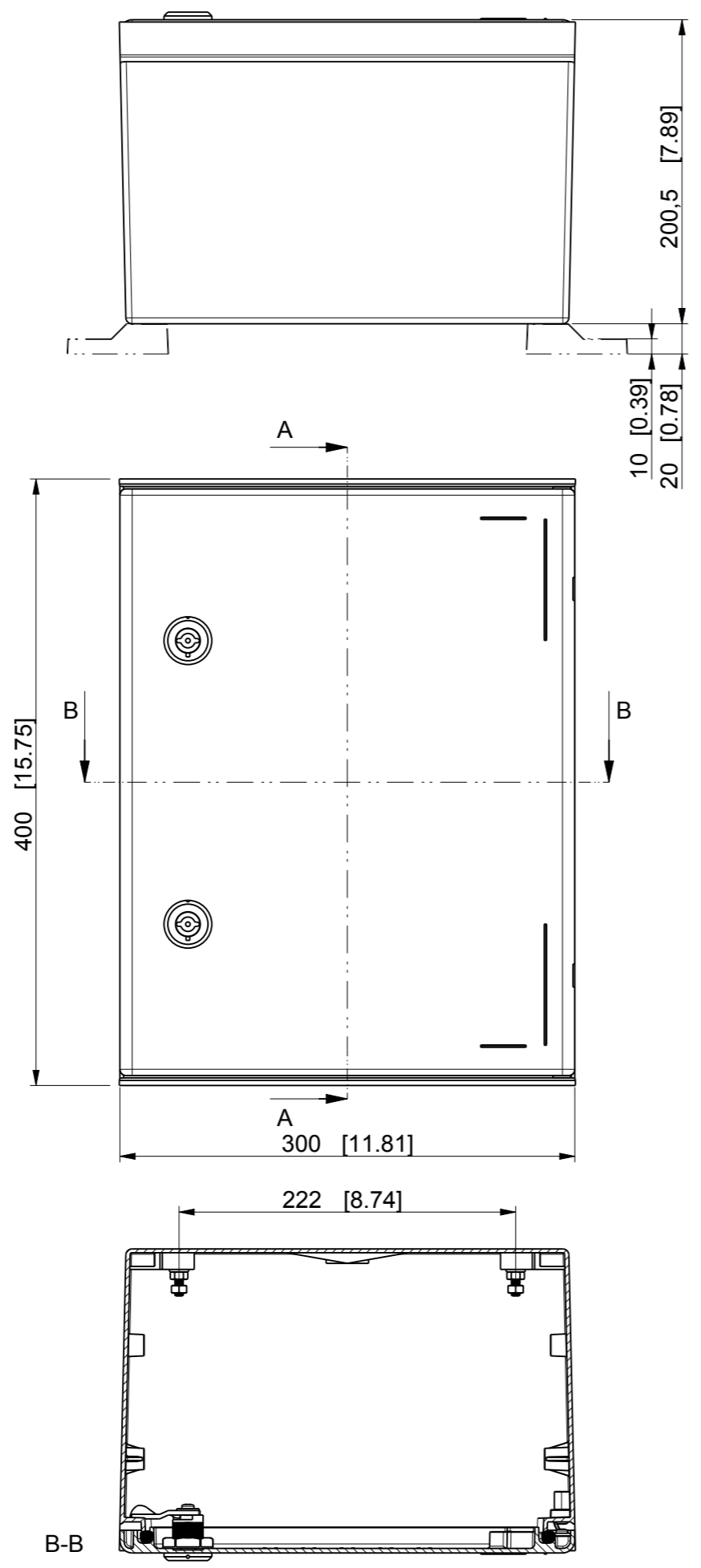
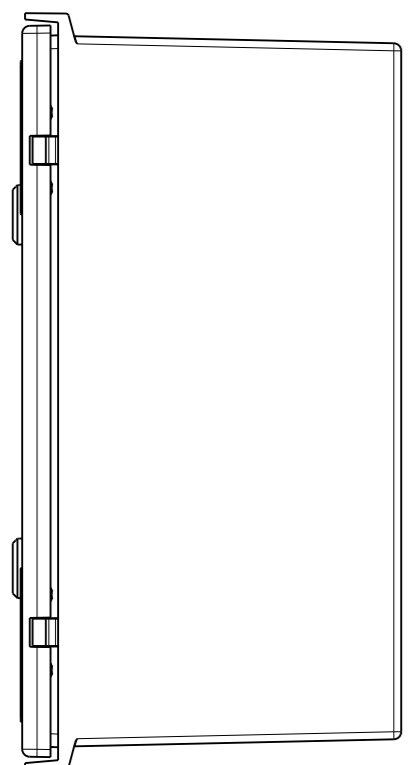


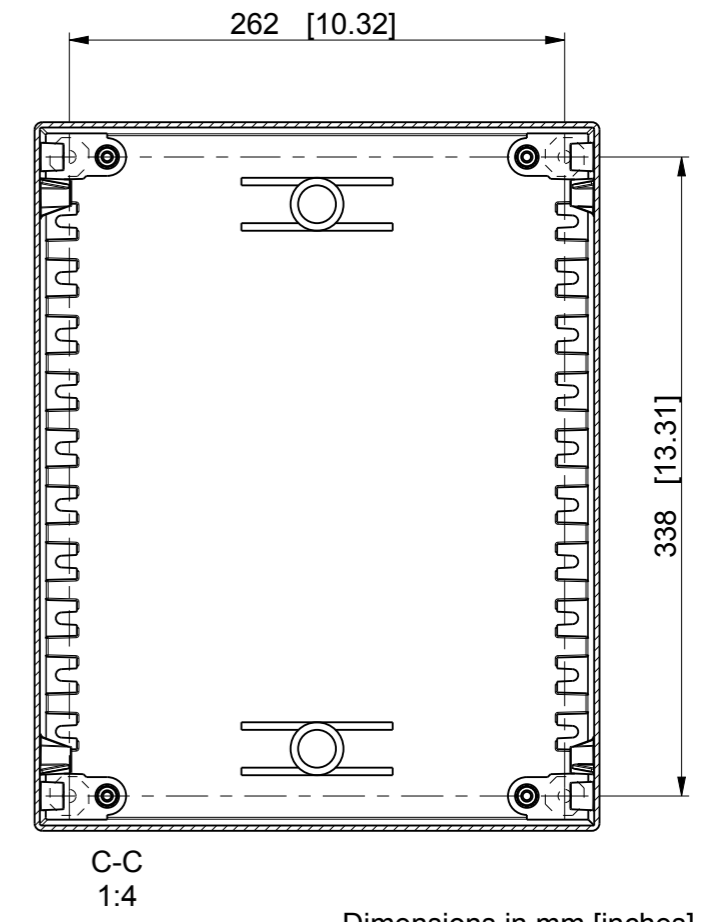
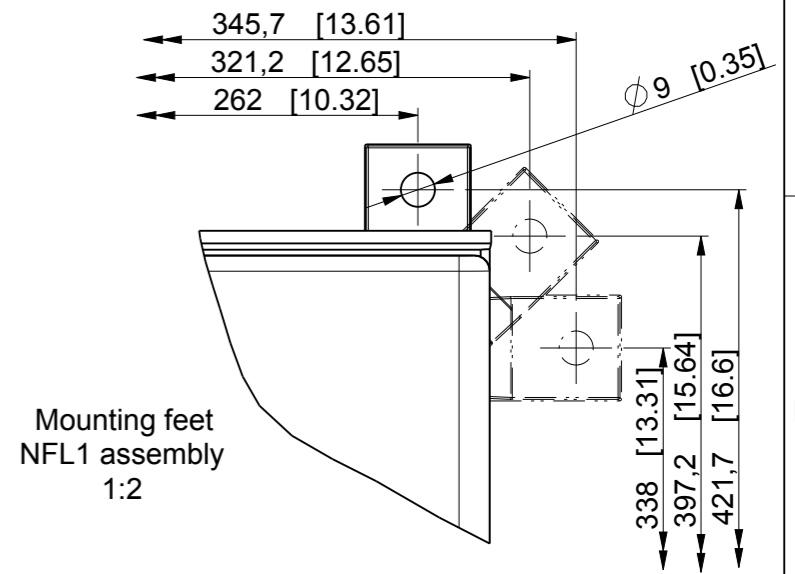
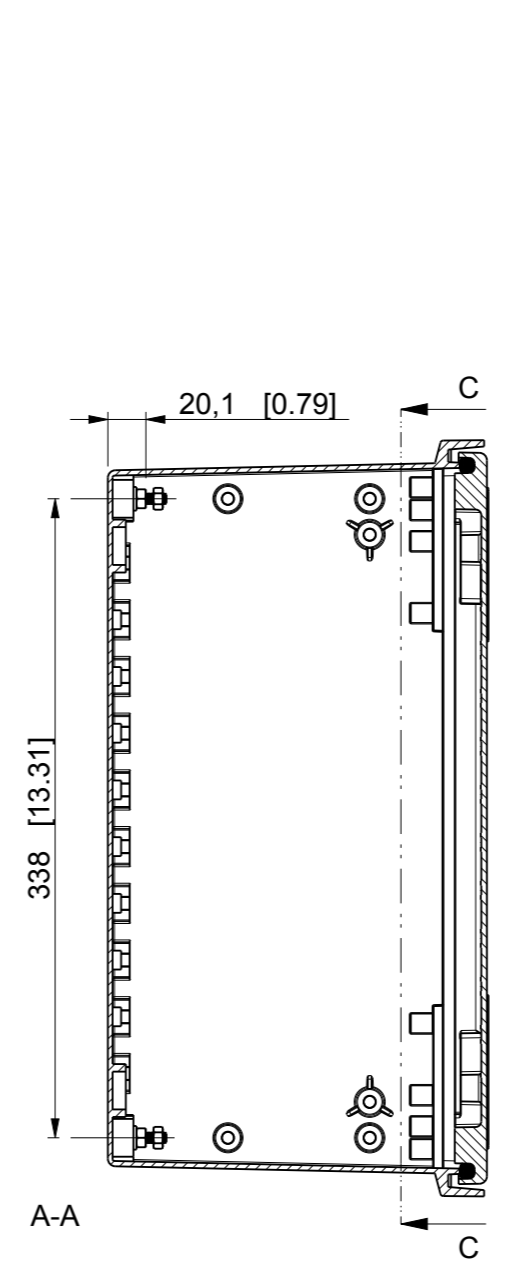
Model: NGRP304020-U_NFL_{rw}
 Drawing: NGRP304020-U_NFL_{rw}

Tolerance ISO 2768-m

>0,5 =3 ±0,1	>6 =30 ±0,2	>30 =120 ±0,3	>120 =400 ±0,5	>400 =1000 ±0,8
-----------------	----------------	------------------	-------------------	--------------------



ID	Description	Date	By	Appr.
A				



Dimensions in mm [inches]

Supplier:	Tool No:	Volume	Weight [g]	0
Material: Glass reinforced polyester		Ensto Mat:		
 ENSTO Ensto Finland Oy Ensto Electrification		Replaces: Replaced: Drw No: A Ref: Cubo N Code: NGRP304020.U		
Scale	Date	NGRP304020.U UI 508A Industrial panel enclosure		
1:4	24.11.2016			
A3	By: KA Checked:			
Sheet No: 1 (1)	Ctrl:			