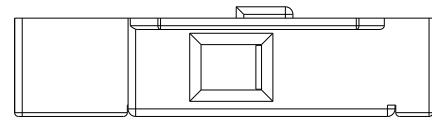
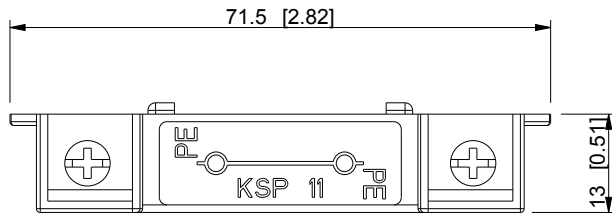
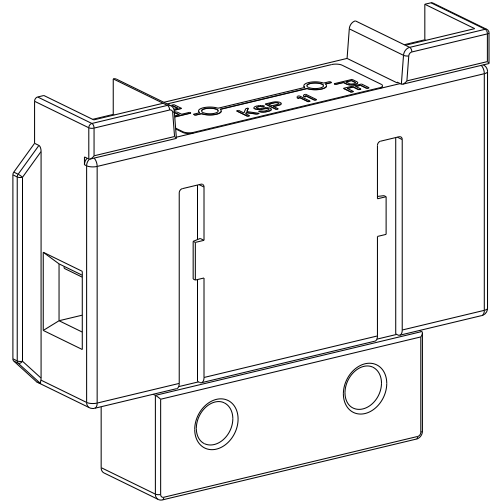
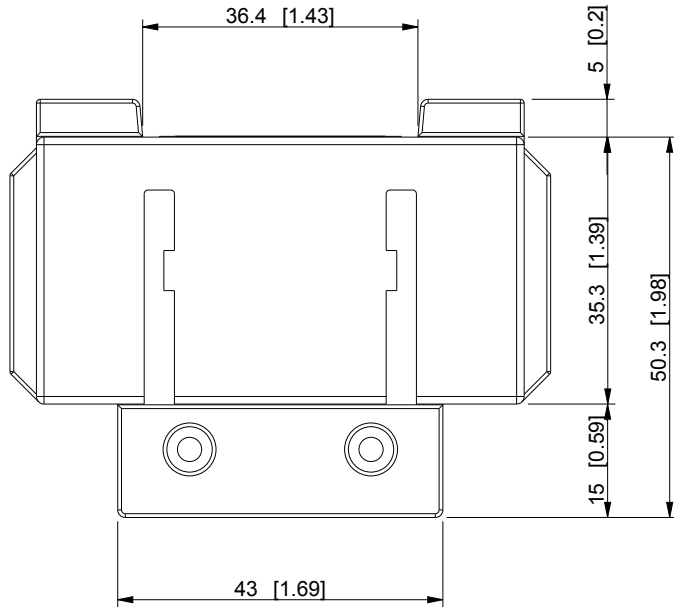

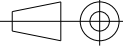


ID	Description	Date	By	Appr.
A		16.6.2015	KA	



Dimensions in mm [inches]

model KSP11_LIGHT_PART drawing PROCUS_KS11-XX_DRAWING	Material:		Color:	Weight (kg): 0.042	
	 Ensto Finland Oy Ensto Industrial Solutions			Replaces:	
				Replaced:	
	Scale	Date	Fixed PE pole for KS13 switch		Drw No: A
	1:1	By			Ref:
-	Checked	Code: KSP11			
-	Ctrl		Sheet No:		