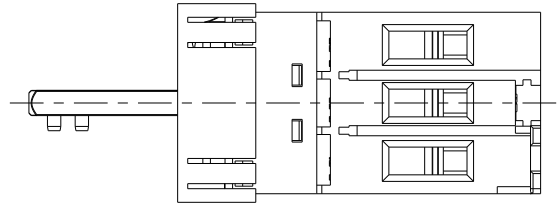
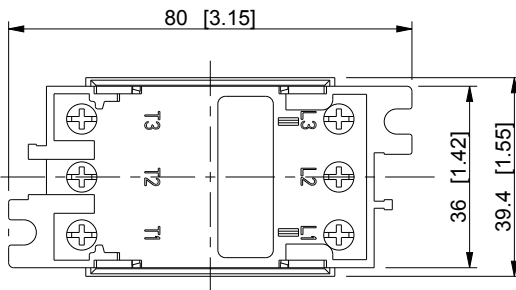
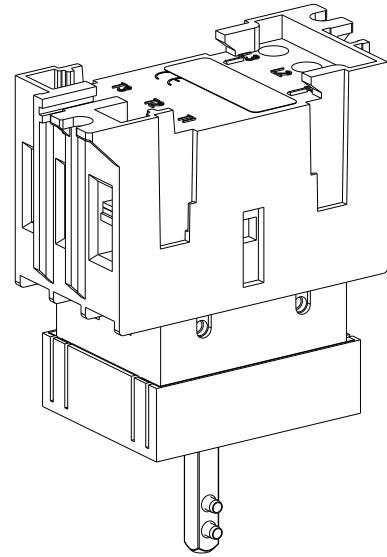
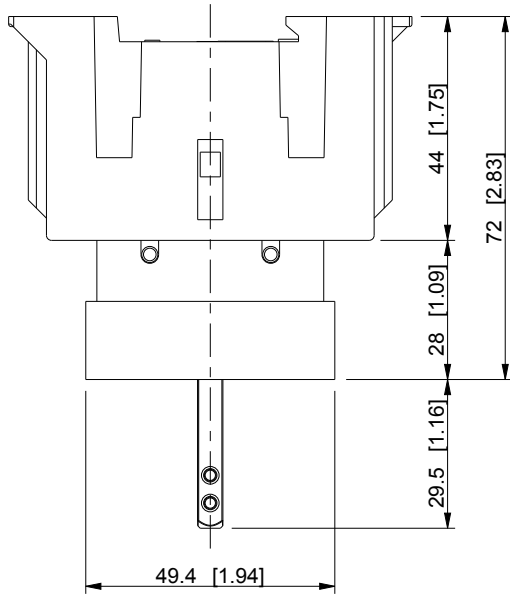

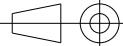


ID	Description	Date	By	Appr.
A		16.6.2015	KA	



Dimensions in mm [inches]

model PROCUS_KS13-XX drawing PROCUS_KS13-XX	Material:		Color:		Weight (kg): <b>0.149</b>
	 Ensto Finland Oy Ensto Industrial Solutions				Replaces:
					Replaced:
	Scale	Date	<b>3-pole switch          direct door mounted          without handle</b>		Drw No: <b>A</b>
	<b>1:1.5</b>	By			Ref:
-	Checked	Code: <b>KS13-xx</b>			
-	Ctrl			Sheet No:	