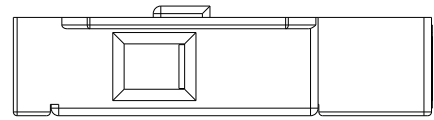
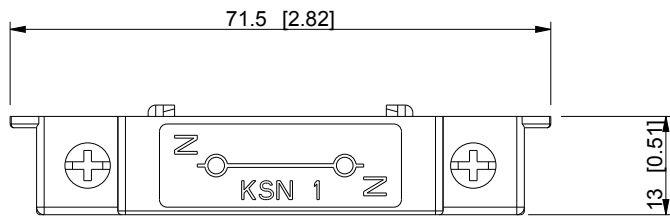
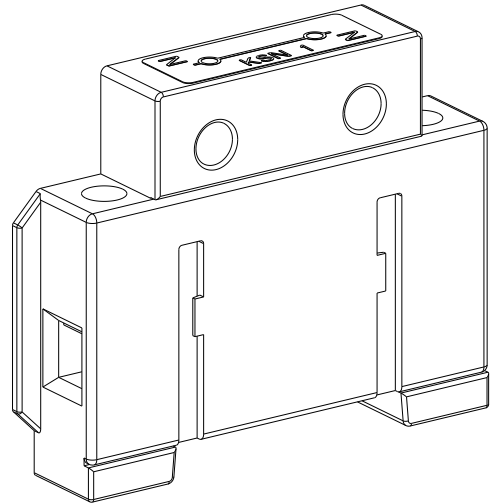
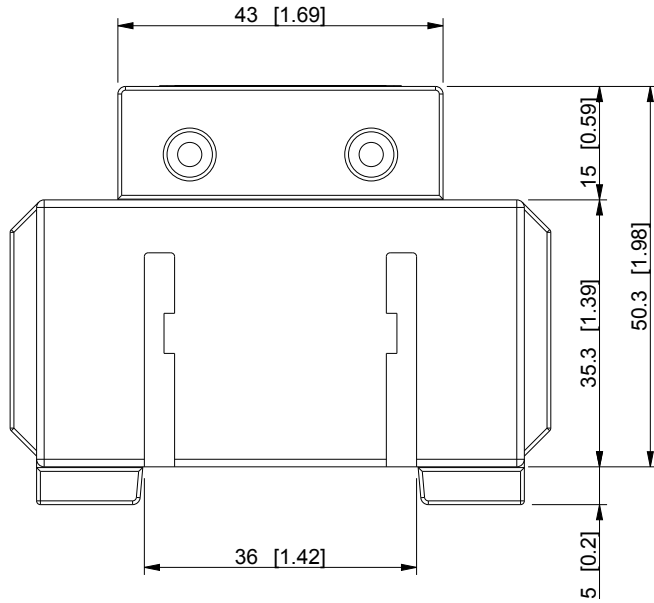

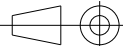


ID	Description	Date	By	Appr.
A		8.6.2015	KA	



Dimensions in mm [inches]

model PROCUS_KSN1_PART drawing PROCUS_KSX1_DRAWING	Material:		Color: -	Weight (kg): 0.043	
	 Ensto Finland Oy Ensto Industrial Solutions		 Fixed neutral pole		Replaces:
					Replaced:
	Scale	Date	8.6.2015		
	1:1	By	KA		
	-	Checked			
-	Ctrl				
				Drw No: A	
				Ref:	
				Code: KSN1	
				Sheet No:	