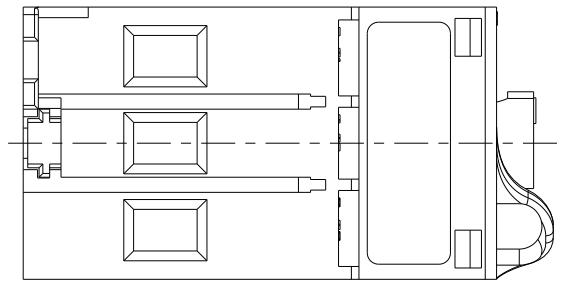
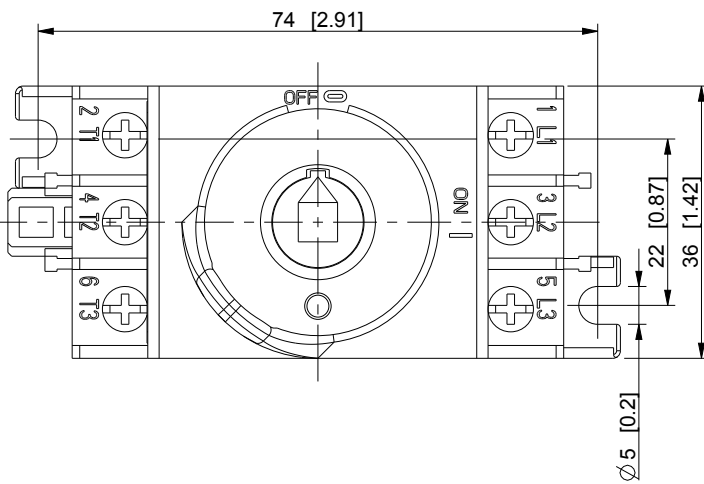
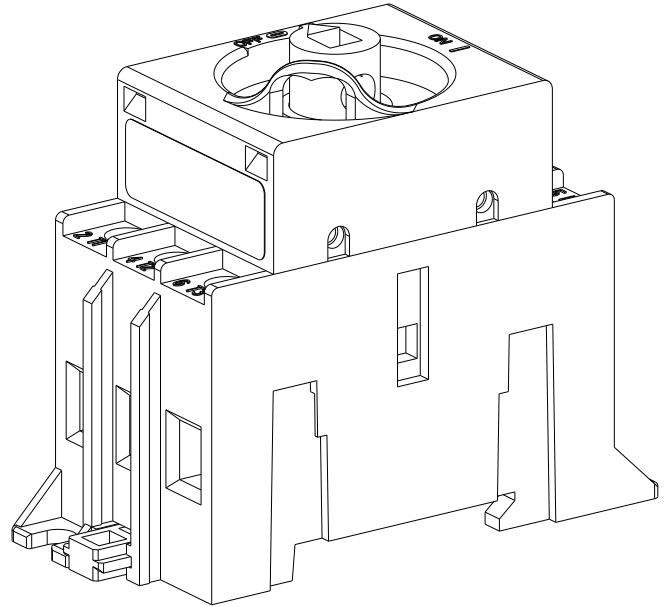
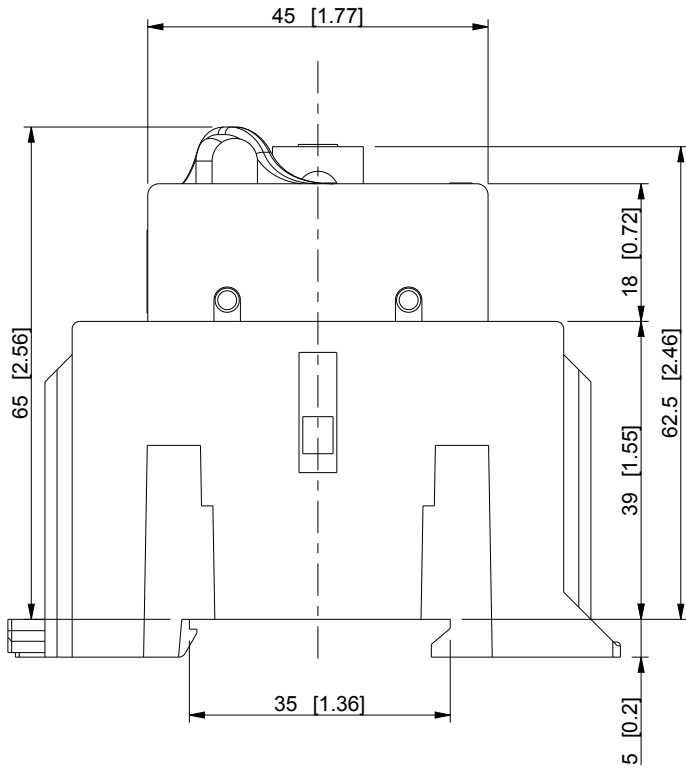

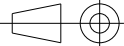


ID	Description	Date	By	Appr.
A		8.6.2015	KA	



Dimensions in mm [inches]

model drawing	PROCUS_KS31-XX PART		PROCUS_KS31-XX DRAWING		Material:	Color: -	Weight (kg): 0.130
	 Ensto Finland Oy Ensto Industrial Solutions				<h2>3-pole switch</h2>		
Scale	Date	8.6.2015		Replaces:			
1:1	By	KA		Replaced:			
-	Checked			Drw No:	A		
-	Ctrl			Ref:			
				Code:	KS31-xx		
				Sheet No:			