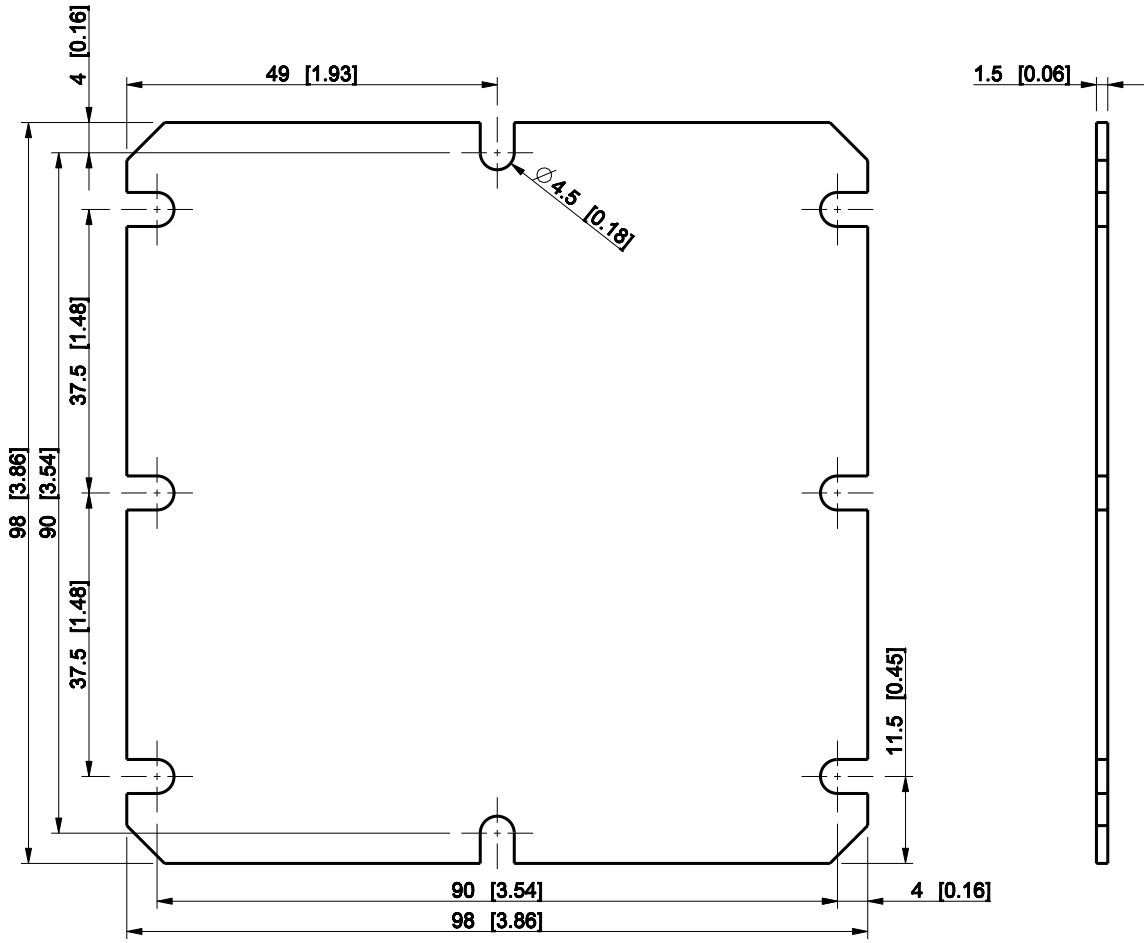


ID	Description	Date	By	Appr.
A				



Dimensions in mm [inches]

Material: Galvanized steel      Color: -

Supplier:      Tool No:      Weight [kg]: 0.11      Volume:



**SMP1313**

Scale	Date	02.02.09
1:1	By	PLe
-	Checked	
-	Ctrl	

Replaces:	
Replaced:	
Drw No:	A
Ref:	Cubo S
Code:	SMP1313
Sheet No:	

model SMP1313\_PART  
drawing SMP\_1\_DRAWING