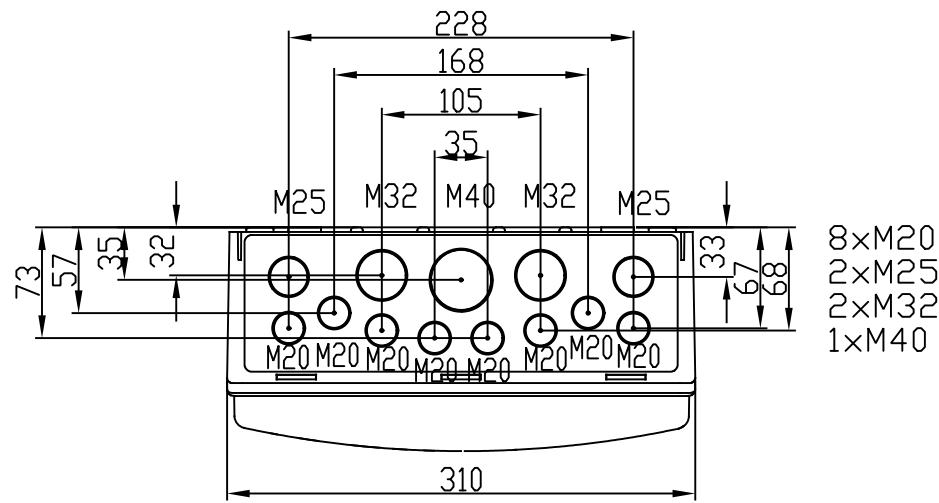
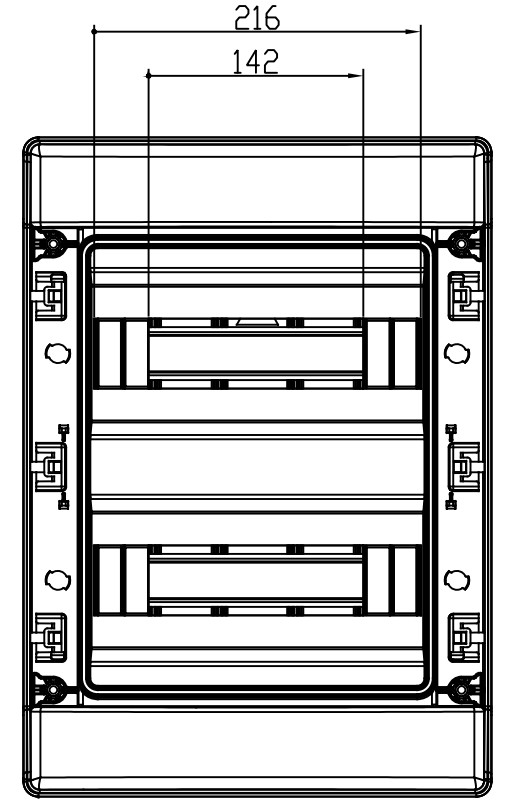
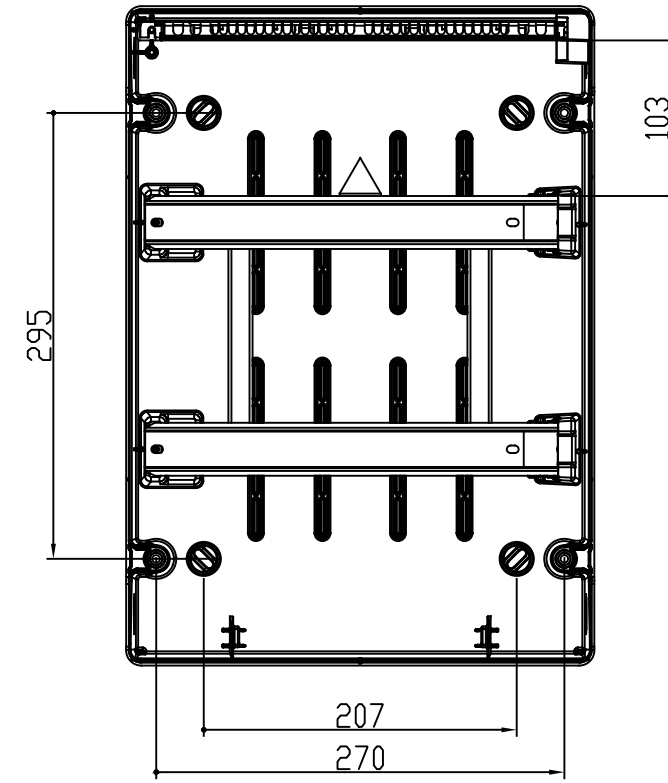
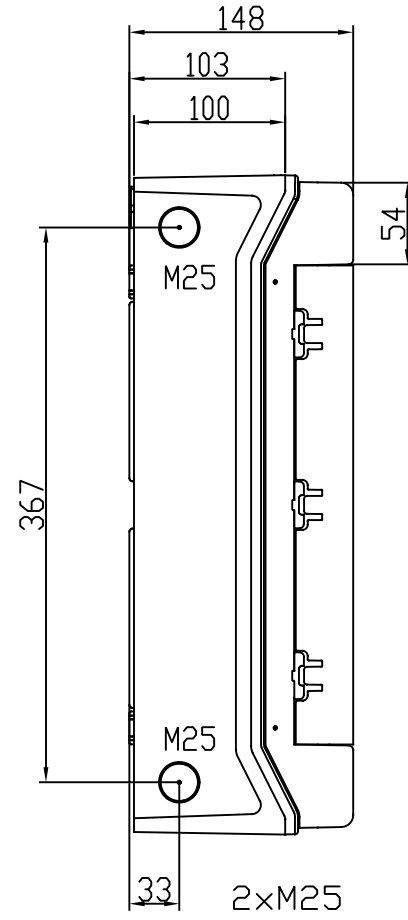
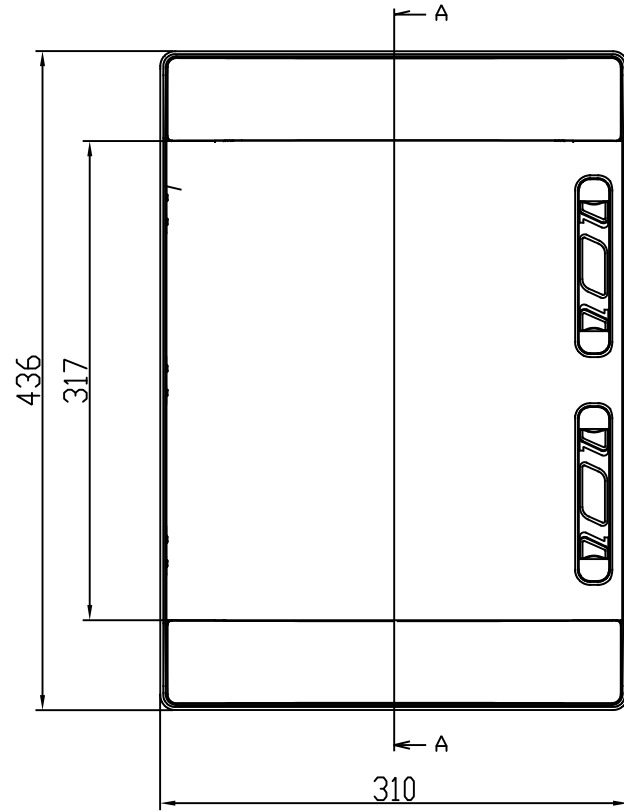
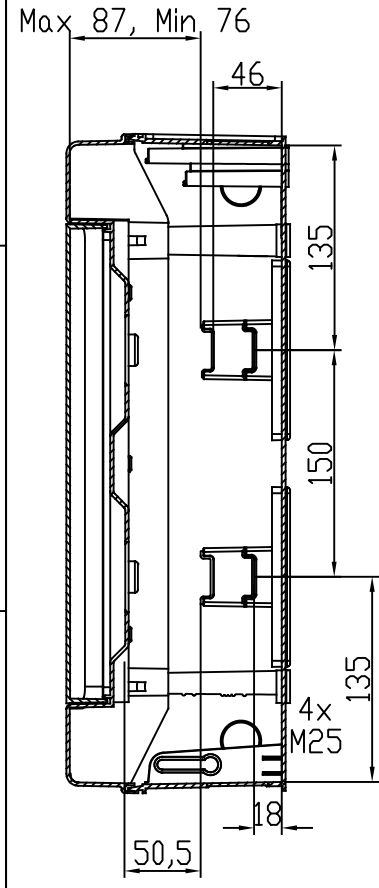
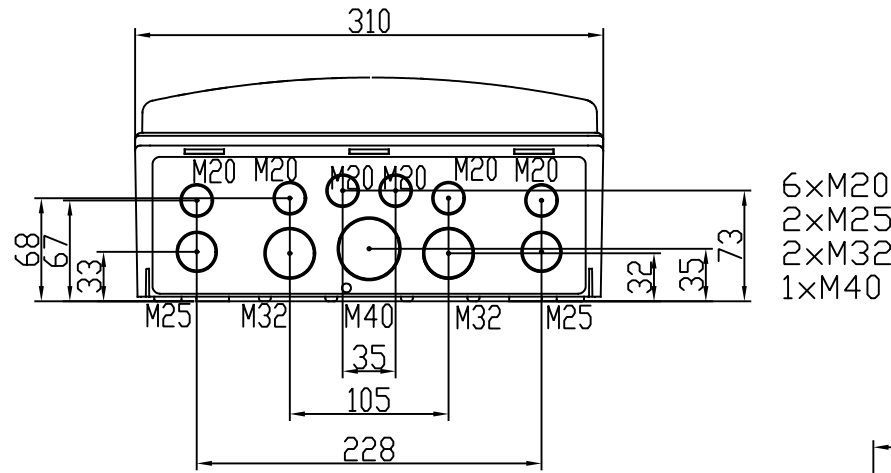


| Id | Description | By       | Appr. |
|----|-------------|----------|-------|
| A  | First issue | 08.01.18 | AKu   |



Toleranssi/Tolerance ISD 2768-c  
Meisto/Holes ISD 5803-m  
Hitsaus/Welded ISD 13920-BF

| Part   | Code | Description      | Information | Pcs Kpl    |
|--|------|------------------|-------------|------------|
|  |      |                  | PC          | -          |
|  |      | Ensto Finland Oy |             |            |
| Scale  | Date | 08.01.18         |             |            |
| A3   | By   | AKu              |             |            |
|  | Chk  |                  |             |            |
|  | Ctrl |                  |             |            |
| Distribution encl. 24 mod 2r<br>Moduulikotelo 24 moduulia 2r |      |                  | Replays:    |            |
|  |      |                  | Replaced:   |            |
|  |      |                  | Drw No:     | A          |
|  |      |                  | Ref:        |            |
|  |      |                  | Code:       | MODPC242PN |
|  |      |                  | Sheet No:   | 1          |