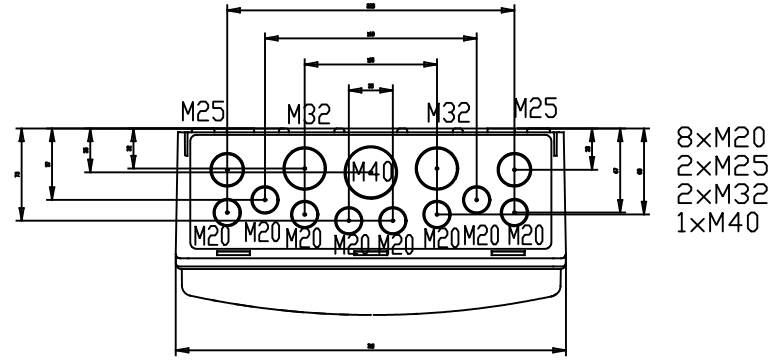
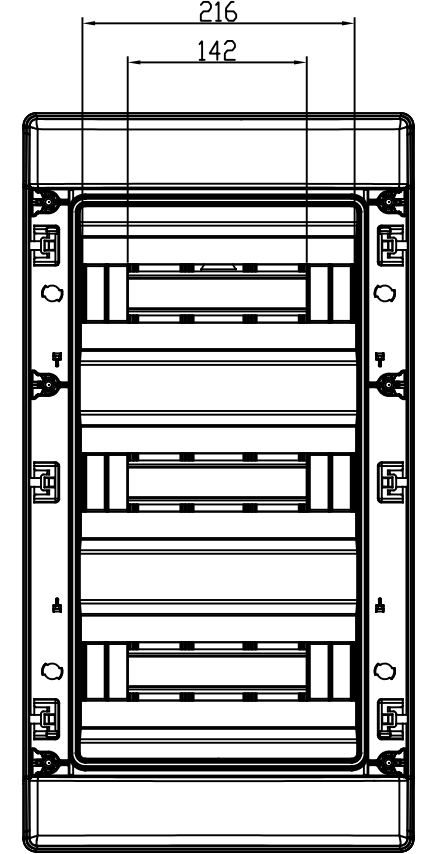
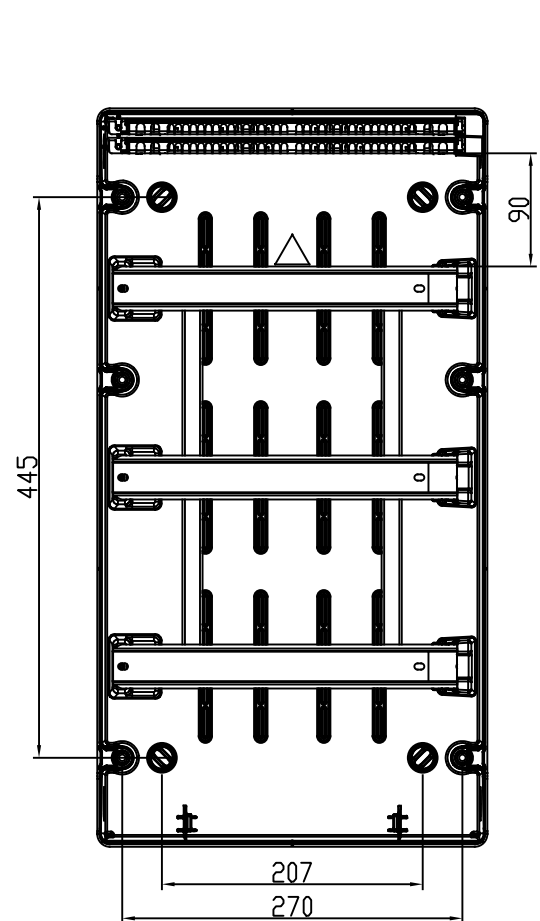
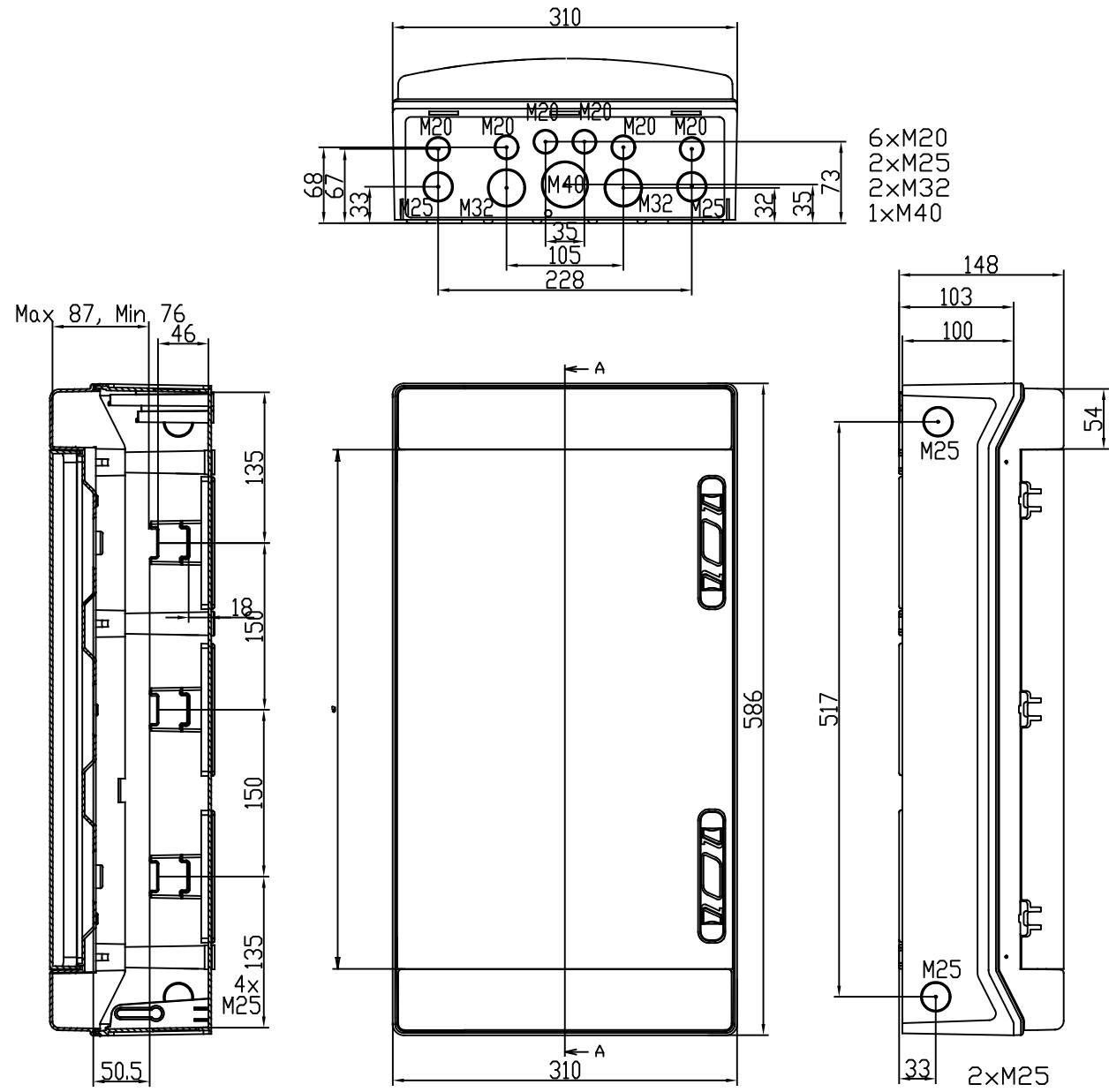


Id	Description	By	Appr.
A	First issue	08.01.18	AKu



Toleranssi/Tolerance ISD 2768-c
 Meisto/Holes ISD 5803-m
 Hitsaus/Welded ISD 13920-BF

Part	Code	Description	Information	Pcs Kpl
-	-	-	-	-
-	-	-	-	-
			ABS	
ENSTO Ensto Finland Oy				
Scale	Date	08.01.18	Distribution encl. 36 mod 3r Moduulikotelo 36 moduulia 3r	Replays:
A3	By	AKu		Replaced:
-	Chk			Drw No: A
-	Ctrl			Ref:
				Code: MODAB363PN
				Sheet No: 1