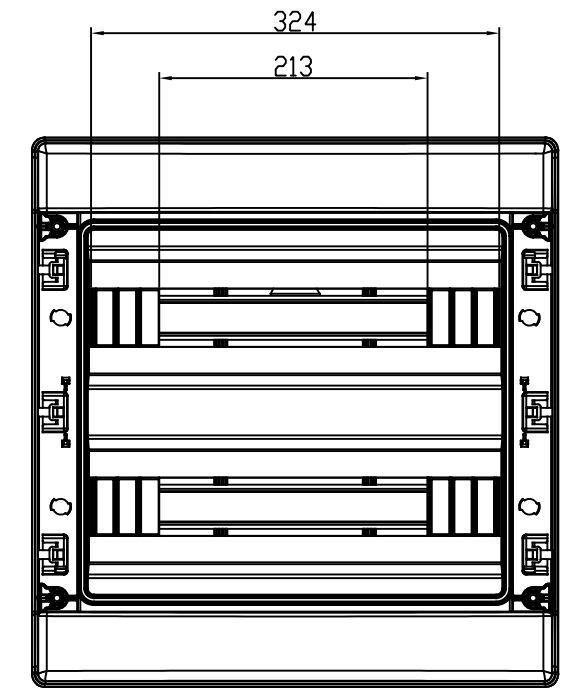
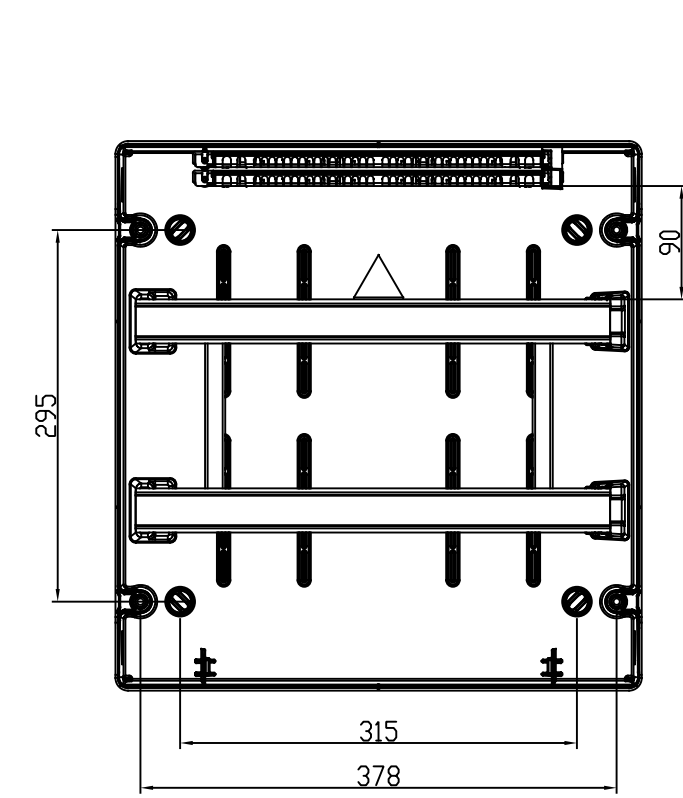
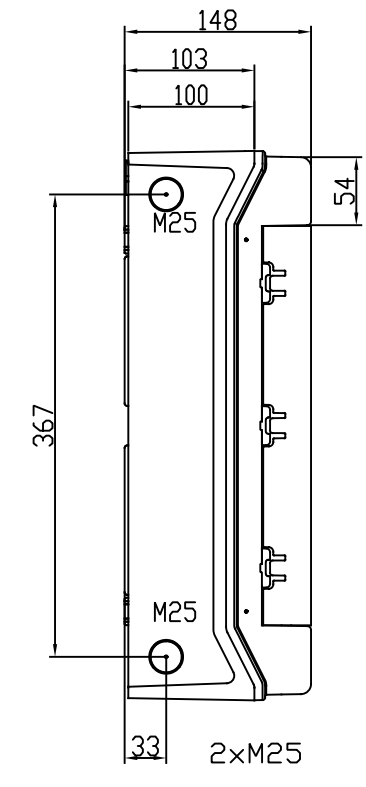
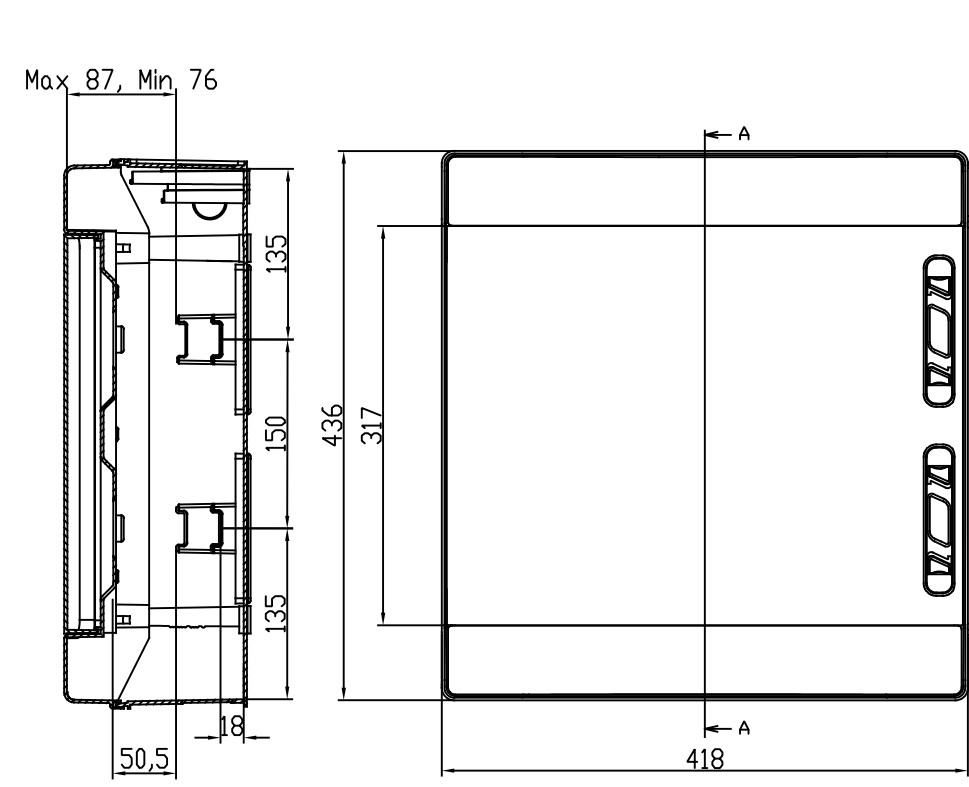
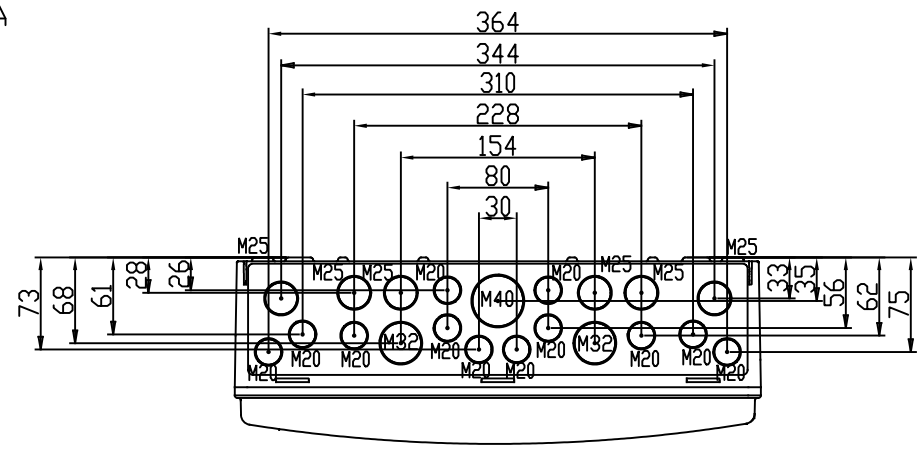


Id	Description	By	Appr.
A	First issue	08.01.18	AKu



SEC AA



- 12xM20
- 6xM25
- 2xM32
- 1xM40

Toleranssi/Tolerance
ISO 2768-c

Meisto/Holes
ISO 5803-m

Hitsaus/Welded
ISO 13920-BF

Part	Code	Description	Information	Pcs Kpl
-	-	-	-	-
-	-	-	-	-
			ABS	
			Distribution encl. 36 mod 2r Moduulikotelo 36 moduulia 2r	Replays:
Ensto Finland Oy				Replaced:
Scale	Date	08.01.18		Drw No: A
A3	By	AKu		Ref:
	Chk		Code: MODAB362PN	
	Ctrl		Sheet No: 1	