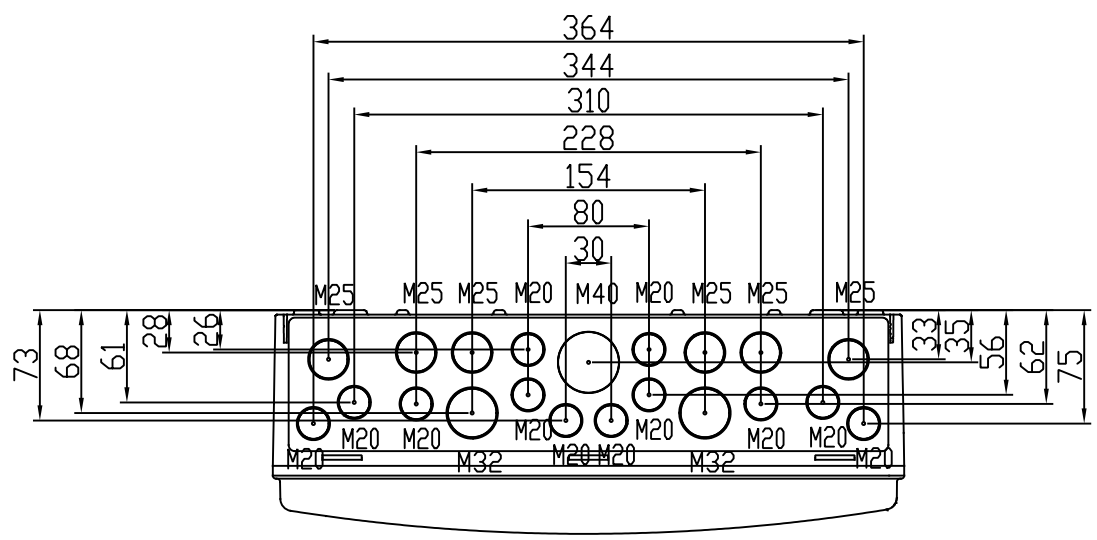
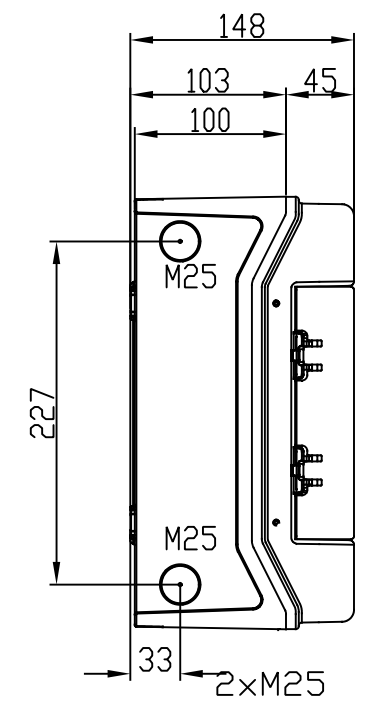
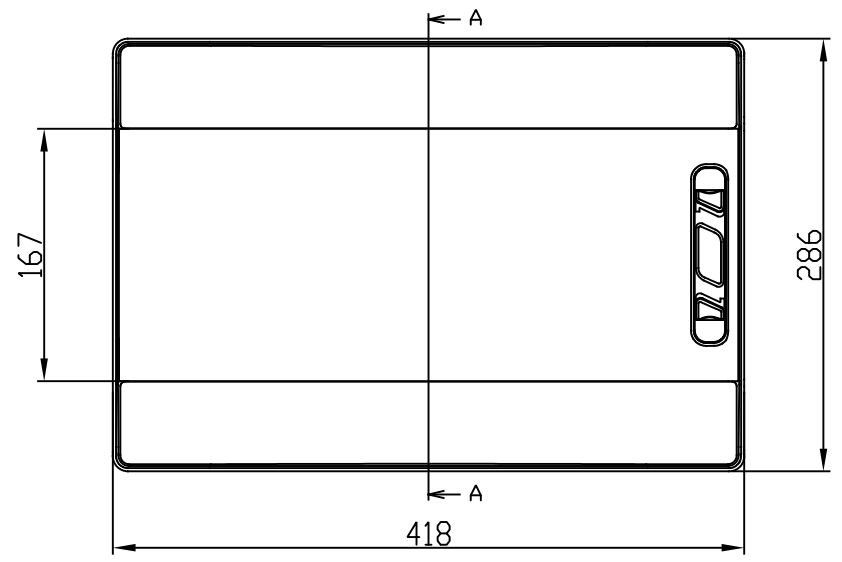
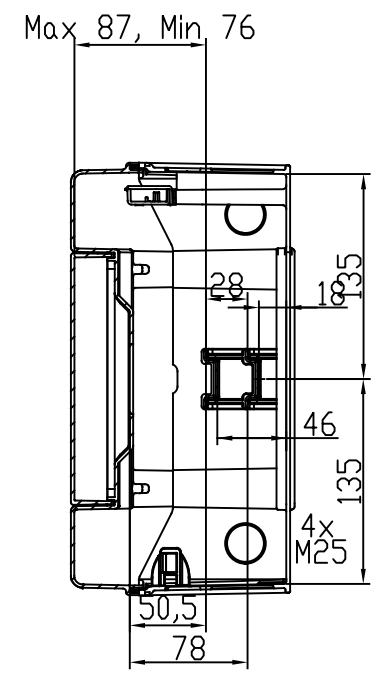
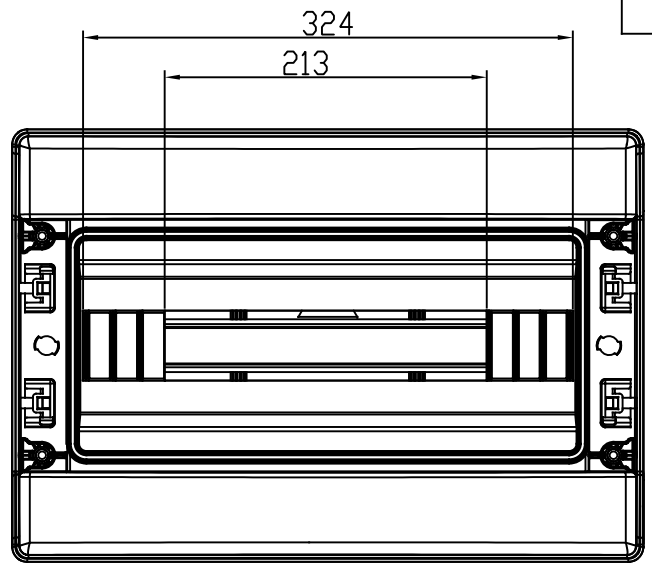
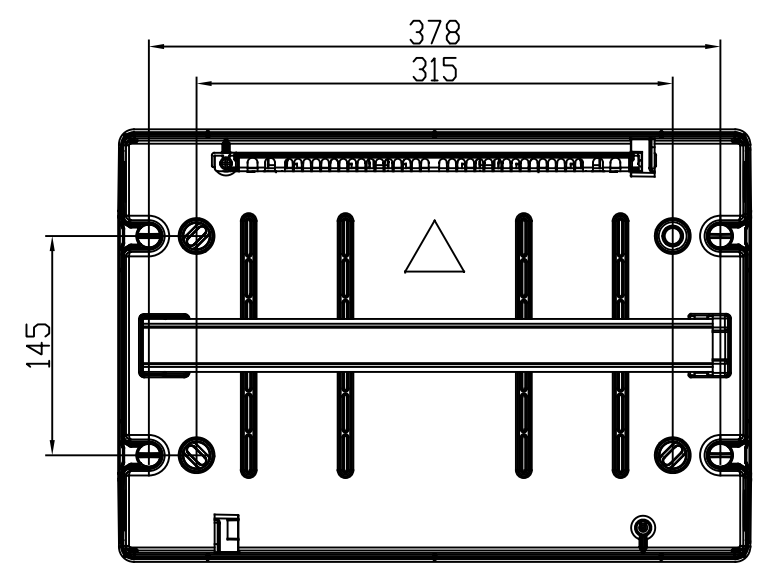


Id	Description	By	Appr.
A	First issue	08.01.18	AKu



- 1xM40
- 2xM32
- 6xM25
- 10xM20

Part	Code	Description	Information	Pcs Kpl
-	-	-	-	-
-	-	-	-	-
			ABS	
ENSTO Ensto Finland Oy				
Scale	Date	08.01.18		
A3	By	AKu		
-	Chk			
-	Ctrl			
Distribution enclosure 18 mod Moduulikotelo 18 moluulia		Replays: Replaced: Drw No: A Ref: Code: MODAB181PN Sheet No: 1		

Toleranssi/Tolerance ISD 2768-c
 Meisto/Holes ISD 5803-m
 Hitsaus/Welded ISD 13920-BF

A
 B
 C
 D
 E