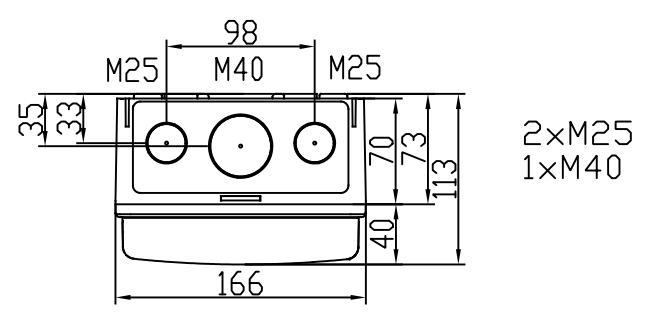
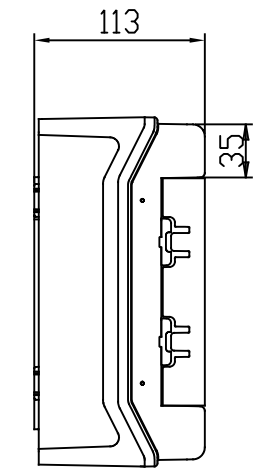
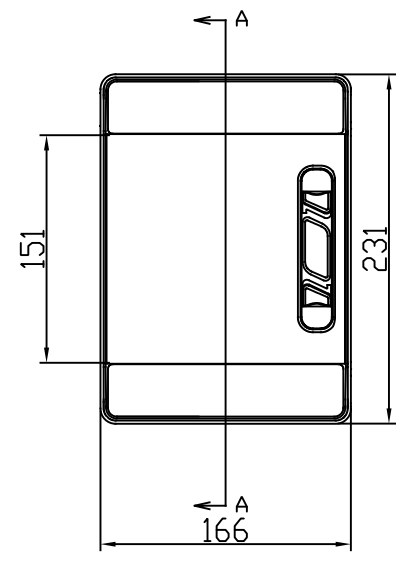
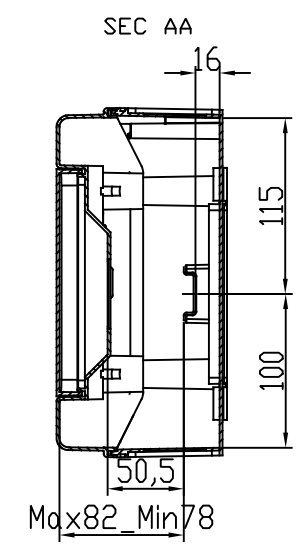
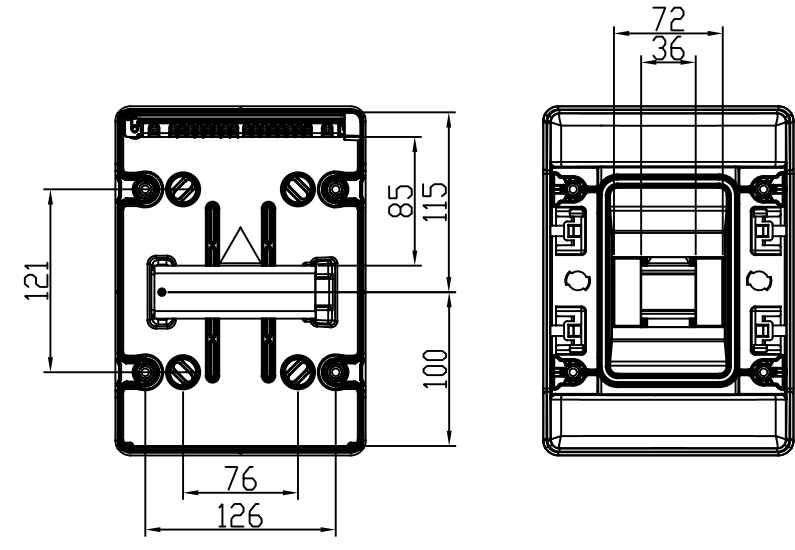


Id	Description	By	Appr.
A	First issue	05.01.18	AKu



2xM25
1xM40

-	-	-	-	-
-	-	-	-	-
Part	Code	Description	ABS Information	Pcs Kpl
		Distribution enclosure 4 mod		Replays:
Ensto Finland Oy		Moduulikotelo 4 molaullia		Replaced:
Scale	Date	05.01.18	Drw No:	A
A3	By	AKu	Ref:	
-	Chk		Code:	MODAB41PN
-	Ctrl		Sheet No:	1

Toleranssi/Tolerance ISD 2768-c
Meisto/Holes ISD 5803-m
Hitsaus/Welded ISD 13920-BF

A
B
C
D
E