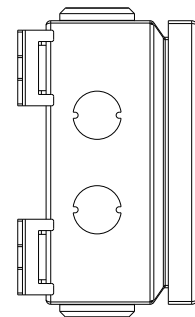
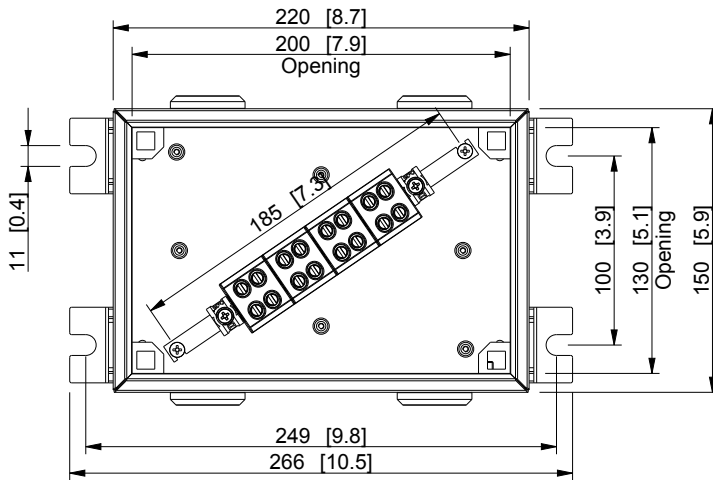
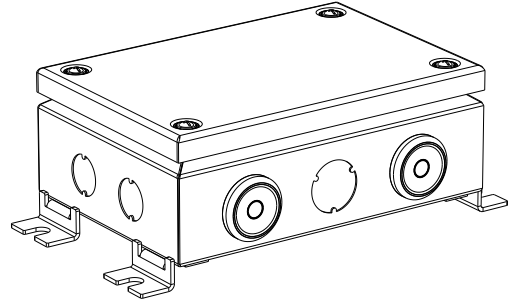
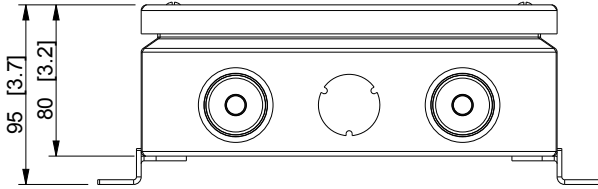


ID	Description	Date	By	Appr.
A		01.03.15	PKos	



Dimensions in mm [inches]

model FPT2215FE416\_4 PART  
drawing PROCUS\_FPT2215FE DRAWING

Material: Mild steel, polyester painted		Color: RAL2003
 Ensto Finland Oy Ensto Industrial Solutions		
Scale	Date	27.02.15
1:4	By	PKos
-	Checked	
-	Ctrl	

220x150mm, Fe, 4xKR16.4

Fire safety box

Weight (kg):	2.374
Replaces:	
Replaced:	
Drw No:	A
Ref:	FPT
Code:	FPT2215FE416_4
Sheet No:	